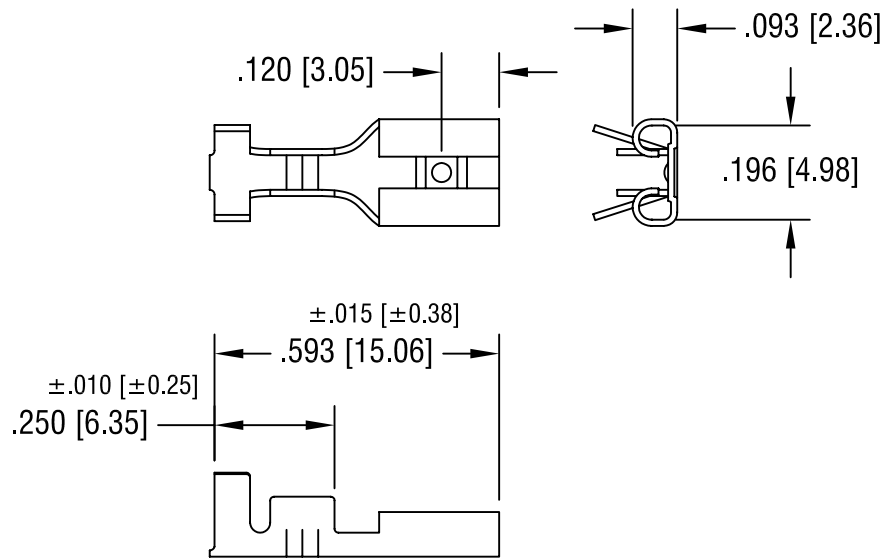


THIS DOCUMENT IS THE PROPERTY OF
KEYSTONE ELECTRONICS CORP. AND
SHALL NOT BE REPRODUCED, DISTRIBUTED
OR USED AS A BASIS FOR MANUFACTURE
WITHOUT PRIOR WRITTEN PERMISSION
FROM KEYSTONE ELECTRONICS CORP.



NOTES:

- DESIGNED FOR $.187 [4.75]$ x $.020 [0.51]$ TAB

11.12.07	CHANGE AS PER ECN 07-078	A
DATE	DESCRIPTION	REV.

KEYSTONE ELECTRONICS CORP.			
ASTORIA, N.Y. 11105-2017			
PART NAME			
$.187 \times .020$ QUICK-FIT FEMALE TERMINAL			
MATERIAL			
$.013 [0.33]$ TH'K BRASS			
FINISH		DRN BY	DATE
TIN PLATE		BOONE	5.5.82
		APP'D	SCALE
		LN	2.5X
TOLERANCES	INCH [MM]	CODE	DWG NO.
DECIMAL	$\pm .005 [\pm 0.15]$	C/M	1264
ANGULAR	$\pm 1^\circ$		
UNLESS OTHERWISE SPECIFIED			