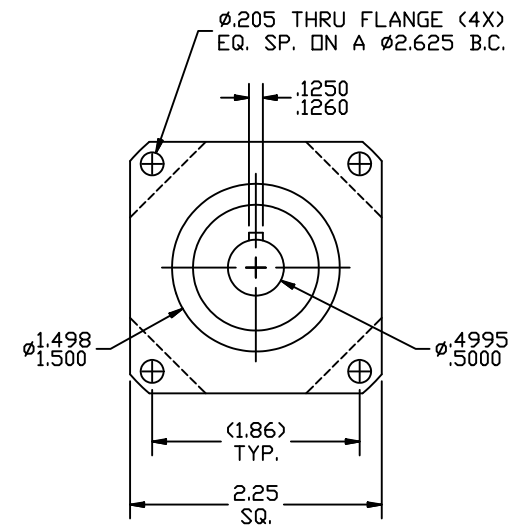
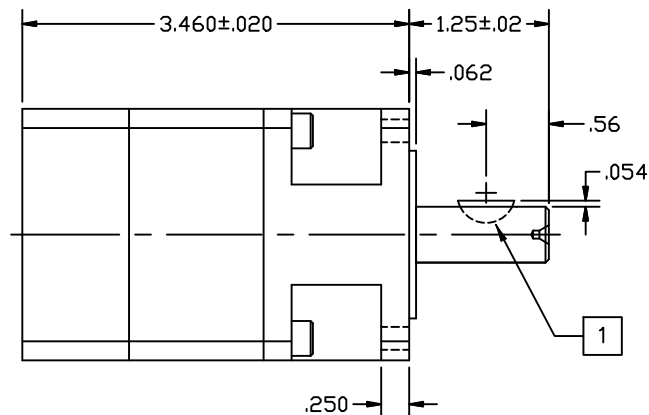
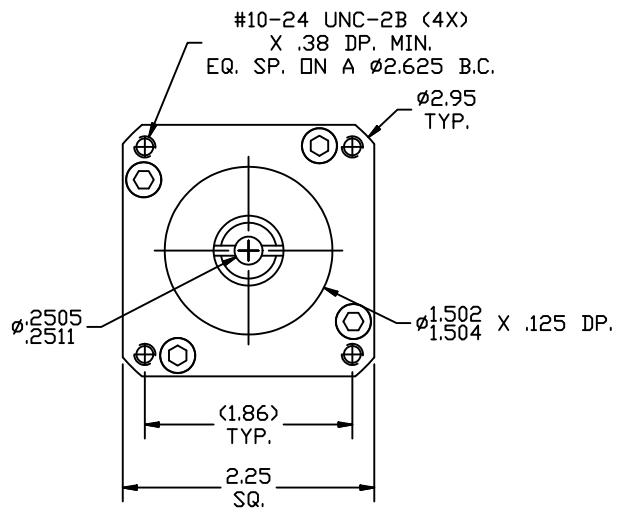


REVISIONS			
REV	DESCRIPTION	DATE	APPROVED
A	INITIAL RELEASE ECO 6709	2/22/13	J Kordik



NOTES: UNLESS OTHERWISE SPECIFIED

- 1 #404 WOODRUFF KEY.
2. 23PL100 RATIO- 100:1
3. FOR TECHNICAL DETAILS, CONTACT APPLIED MOTION PRODUCTS.

TOLERANCES	THIRD ANGLE PROJECTION	APPLIED MOTION PRODUCTS, INC.	
DECIMALS: [MM] INCH X.XXX = $\pm$ .005 X.XX = $\pm$ [0.13] .010 X.X = $\pm$ [0.25] .020 ANGLES: MACH. = $\pm 5^\circ$ CHAM. = $\pm 5^\circ$		<b>OUTLINE, GEAR HEAD, PL23, 2 STAGE</b>	
COMPUTER DATA BASE DRAWING	APPROVALS		
	DRAWN <b>R. JONEZ</b>	<b>2/22/13</b>	
	CHECKED		
	APPROVED		
		B	REV A
		DWG NO. 23PL100	SHEET 1 OF 1
		SCALE: FULL	