

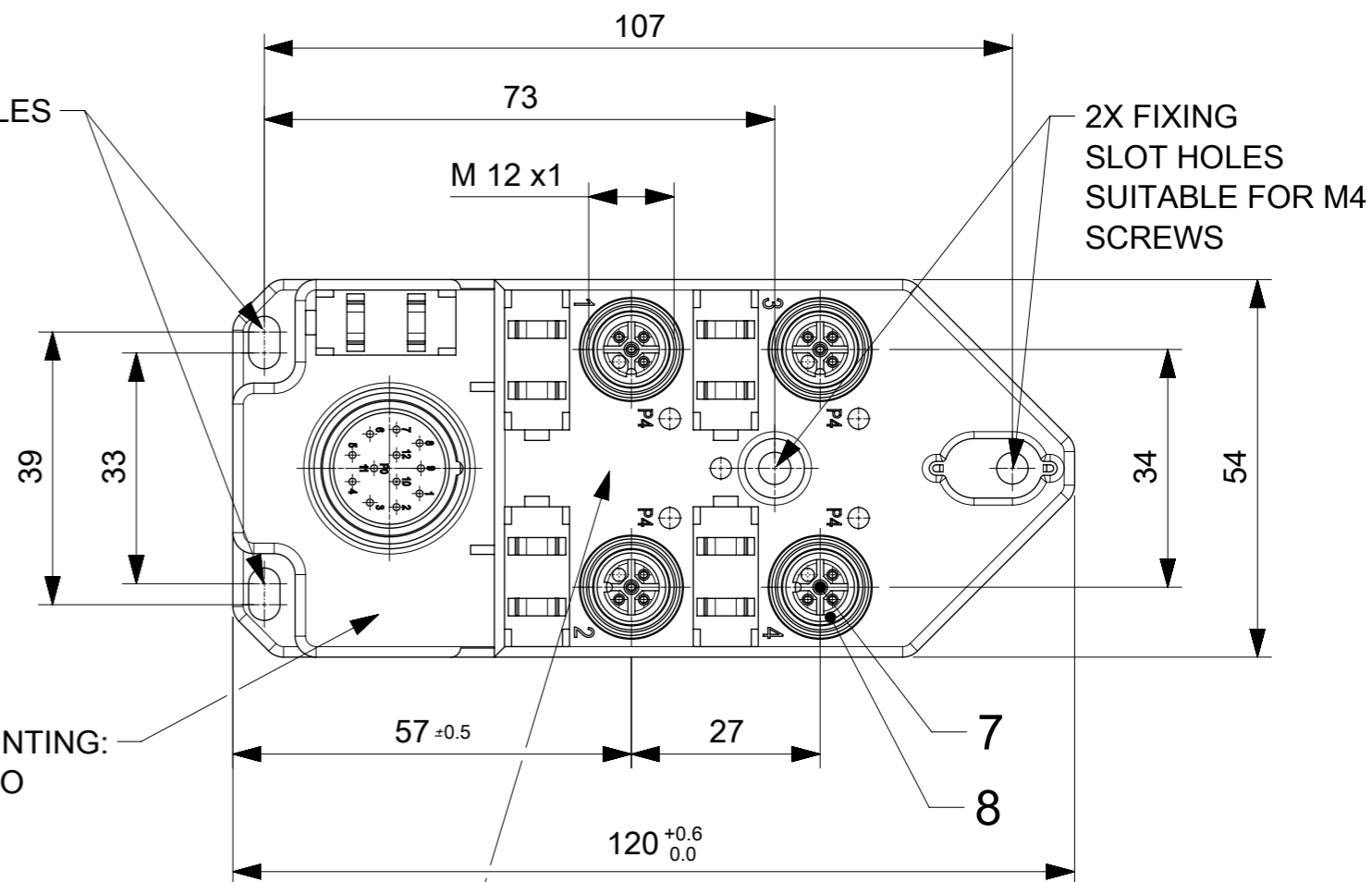
TABLE 1

MOLEX P/N	ENG. NO.	LED
1202480055	BTB4010-FBC	NO
1202480056	BTB401P-FBC	YES
1202480132	BTB401N-FBC	YES

TABLE 2 BILL OF MATERIAL

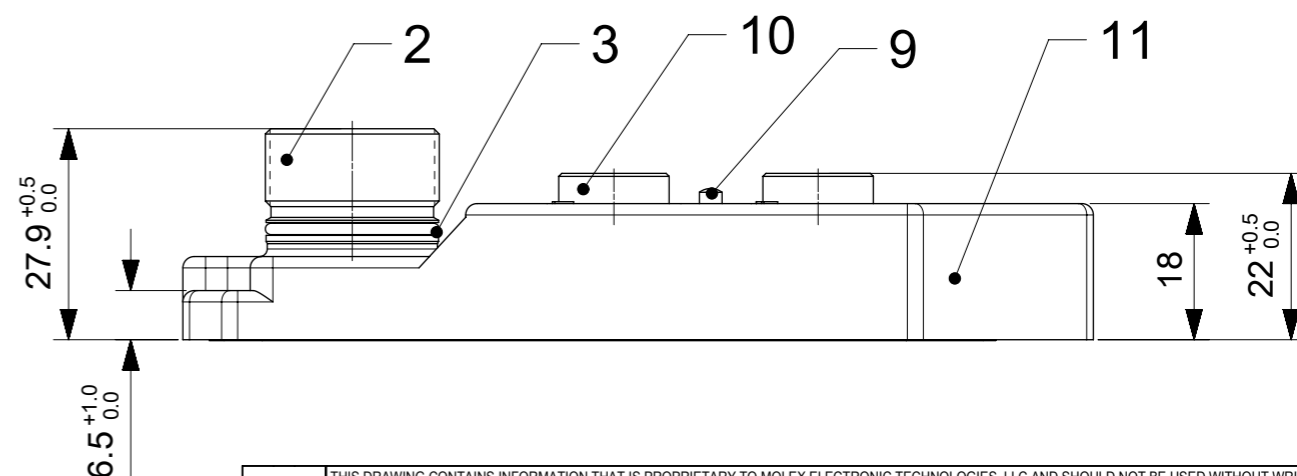
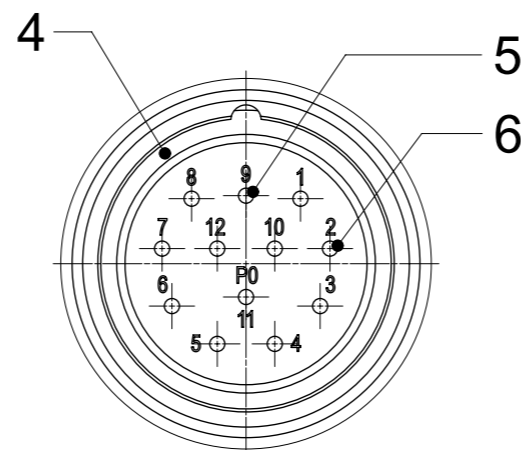
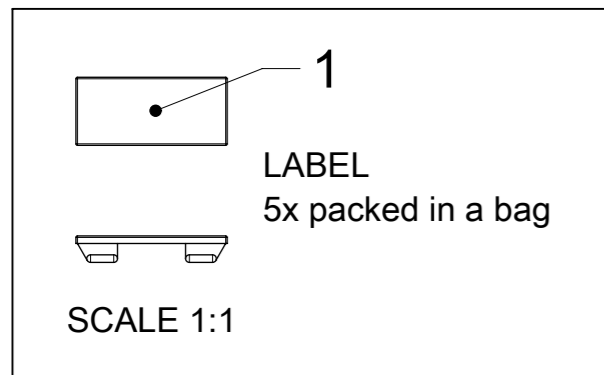
ITEM	DESCRIPTION	MATERIAL	FINISH
1	LABEL	ABS	WHITE
2	SHELL	BRASS	NICKEL PLATED
3	O-RING	NBR	BLACK
4	O-RING	NBR	BLACK
5	CONTACT	BRASS	GOLD OVER NICKEL
6	CONTACT	BRASS	GOLD OVER NICKEL
7	CONTACT	BRONZE	GOLD OVER NICKEL
8	O-RING	FPM	RED
9	LED	NO LED = PA	BLACK
		WITH LED = PA	TRANSPARENT
10	SHELL	BRASS	NICKEL PLATED
11	HOUSING	PBT	BLACK

2X FIXING SLOT HOLES
SUITABLE FOR M4
SCREWS



LASER PRINTING:
BRAD LOGO

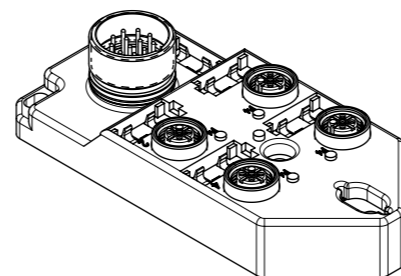
LASER PRINTING:
PN: 120248XXXX
ENG.: BTB401X-FBC
PO: XXXXXXXXXX



GENERAL CHARACTERISTICS:

ELECTRICAL AND MECHANICAL DATA ACC. TO IEC 61076-2-101

NOMINAL VOLTAGE: 10-30 V DC
 AMPERE RATING: 4 A PER PORT / 12 A MAX
 AMPERE RATING WITH UL REGISTRATION: 3 A PER PORT / 9 A MAX
 IP DEGREE OF PROTECTION: IP 67
 TEMPERATURE RANGE: -25°C to + 85°C



SCALE
1:2

SYMBOLS		THIS DRAWING CONTAINS INFORMATION THAT IS PROPRIETARY TO MOLEX ELECTRONIC TECHNOLOGIES, LLC AND SHOULD NOT BE USED WITHOUT WRITTEN PERMISSION	
DIMENSION UNITS	SCALE	CURRENT REV DESC: LASER PRINT UPDATE	
▽ = 0	mm	molex MPIS M12 PNP NPN NOS 4P 4PT 12P M23 BK XM STA SINGLE	
▽ = 0	GENERAL TOLERANCES (UNLESS SPECIFIED)		
▽ = 0	ANGULAR TOL ± °		
▽ = 0	4 PLACES ±		
▽ = 0	3 PLACES ±	EC NO: 606042	2018/08/30
▽ = 0	2 PLACES ±	DRWN: SSM	2018/10/18
▽ = 0	1 PLACE ±	CHK'D: RSILLER	2018/10/18
▽ = 0	0 PLACES ± 0.25	APPR: RSILLER	2018/10/18
□ = 0	DRAFT WHERE APPLICABLE MUST REMAIN WITHIN DIMENSIONS	INITIAL REVISION:	
▽ = 0		DRWN: AAHLERS	2015/04/02
		APPR: RSILLER	2015/05/20
		THIRD ANGLE PROJECTION	
		DRAWING	SERIES
		A3-SIZE	120248
		MATERIAL NUMBER	CUSTOMER
		SEE TABLE 1	GENERAL MARKET
		DOCUMENT NUMBER	DOC TYPE DOC PART REVISION
		1202480055	PSD 000 B
			SHEET NUMBER
			1 OF 2

