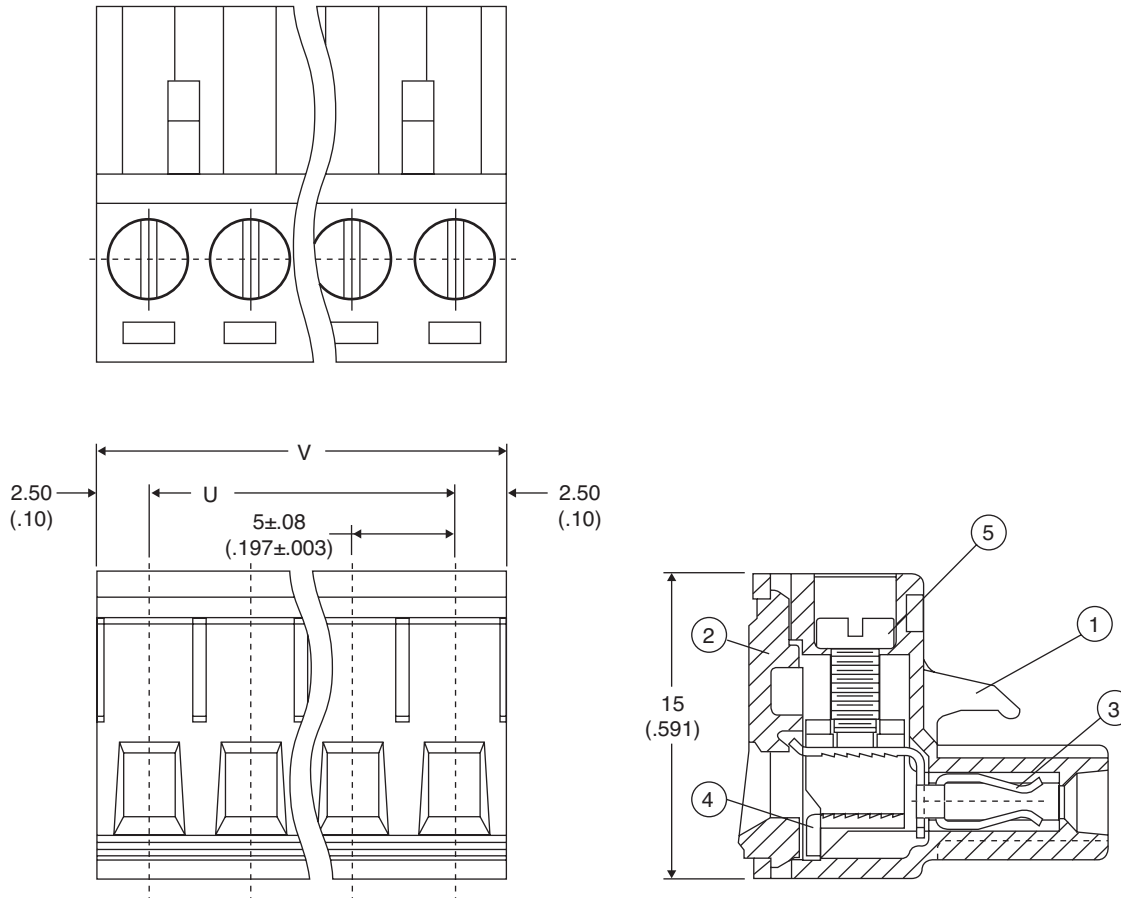


# Terminal Block Plugs

158-P025ESDVP-E, 158-P035ESDVP-E, 158-P045ESDVP-E, 158-P055ESDVP-E,  
158-P065ESDVP-E, 158-P075ESDVP-E, 158-P085ESDVP-E, 158-P095ESDVP-E,  
158-P105ESDVP-E, 158-P115ESDVP-E, 158-P125ESDVP-E



Terminal Block Plugs



Dimensions: mm (in.)

P	02P	03P	04P	05P	06P	07P	08P	09P	10P	11P	12P
U mm	5.00	10.00	15.00	20.00	25.00	30.00	35.00	40.00	45.00	50.00	55.00
V mm	10.00	15.00	20.00	25.00	30.00	35.00	40.00	45.00	50.00	55.00	60.00

ELECTRICAL SPECIFICATIONS	
Rating:	300V 15A
Pitch:	5.00 mm
Insulation withstands voltage:	AC 1500V/Min
Insulation resistance:	500MΩ or more at DC500V
Temperature range:	-40°C~ +105°C
Screw torque value:	5kg - cm
Electric wire:	28 ~ 12 AWG

MATERIAL SPECIFICATIONS	
Screw (5):	Steel, M2.5 Zinc Plated
Wire cage (4):	Steel, Zinc Plated
Clamp (3):	Phosphor Bronze, Solder Plated
Cover (2):	PA66, Green
Housing (1):	PA66, Green
RoHS Compliant	

158-P025ESDVP-E, 158-P035ESDVP-E, 158-P045ESDVP-E, 158-P055ESDVP-E, 158-P065ESDVP-E, 158-P075ESDVP-E, 158-P085ESDVP-E, 158-P095ESDVP-E, 158-P105ESDVP-E, 158-P115ESDVP-E, 158-P125ESDVP-E

Date Last Revised: 3-7-07

Available from Mouser Electronics  
1-800-346-6873 / www.mouser.com

KC-301122

Specifications are subject to change without notice. No liability or warranty implied by this information. Environmental compliance based on producer documentation.