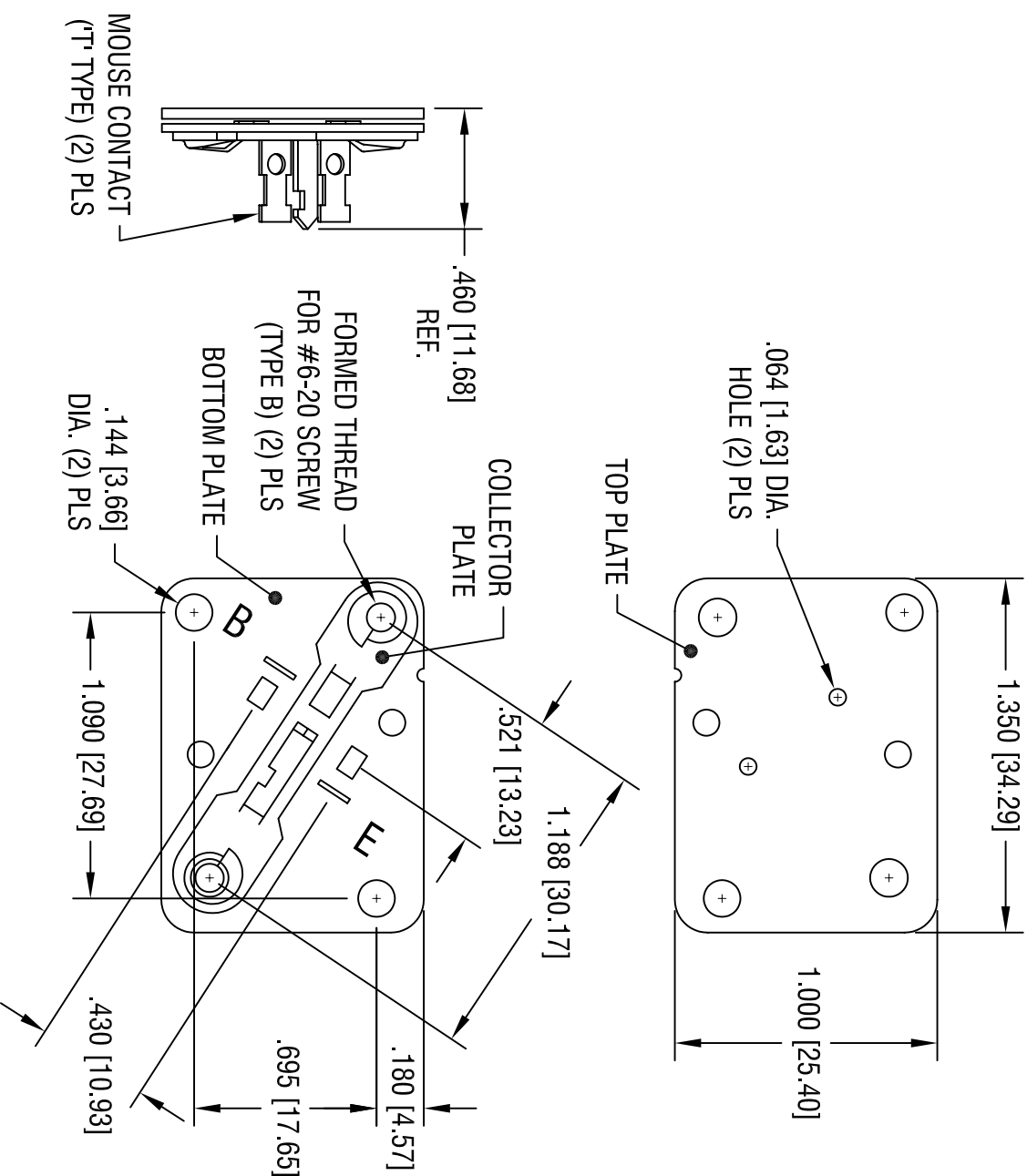


DATE	DESCRIPTION	REV.
3.14.07	CHANGE AS PER ECN 07-014	B



- NOTES:
- TOP PLATE:
MAT'L - .032 [0.81] THK PHENOLIC
 - BOTTOM PLATE:
MAT'L - .032 [0.81] THK PHENOLIC
 - COLLECTOR PLATE:
MAT'L - .032 [0.81] THK STEEL
FINISH - TIN PLATE
 - MOUSE CONTACT (T' TYPE):
MAT'L - .013 [0.33] THK BRASS
FINISH - TIN PLATE

KEYSTONE ELECTRONICS CORP.
ASTORIA, N.Y. 11105-2017

PART NAME
TO-3 POWER TRANSISTOR SOCKET

MATERIAL
AS NOTED

FINISH
AS NOTED

TOLERANCES	INCH	[MM]	CODE	DWG NO.
DECIMAL	± .005	[± 0.15]	C	4606
ANGULAR	± 1°			

THIS DOCUMENT IS THE PROPERTY OF KEYSTONE ELECTRONICS CORP. AND SHALL NOT BE REPRODUCED, DISTRIBUTED OR USED AS A BASIS FOR MANUFACTURE WITHOUT PRIOR WRITTEN PERMISSION FROM KEYSTONE ELECTRONICS CORP.

DRN BY	DATE
BOONE	10.18.82

App'd	SCALE
LN	1.5X