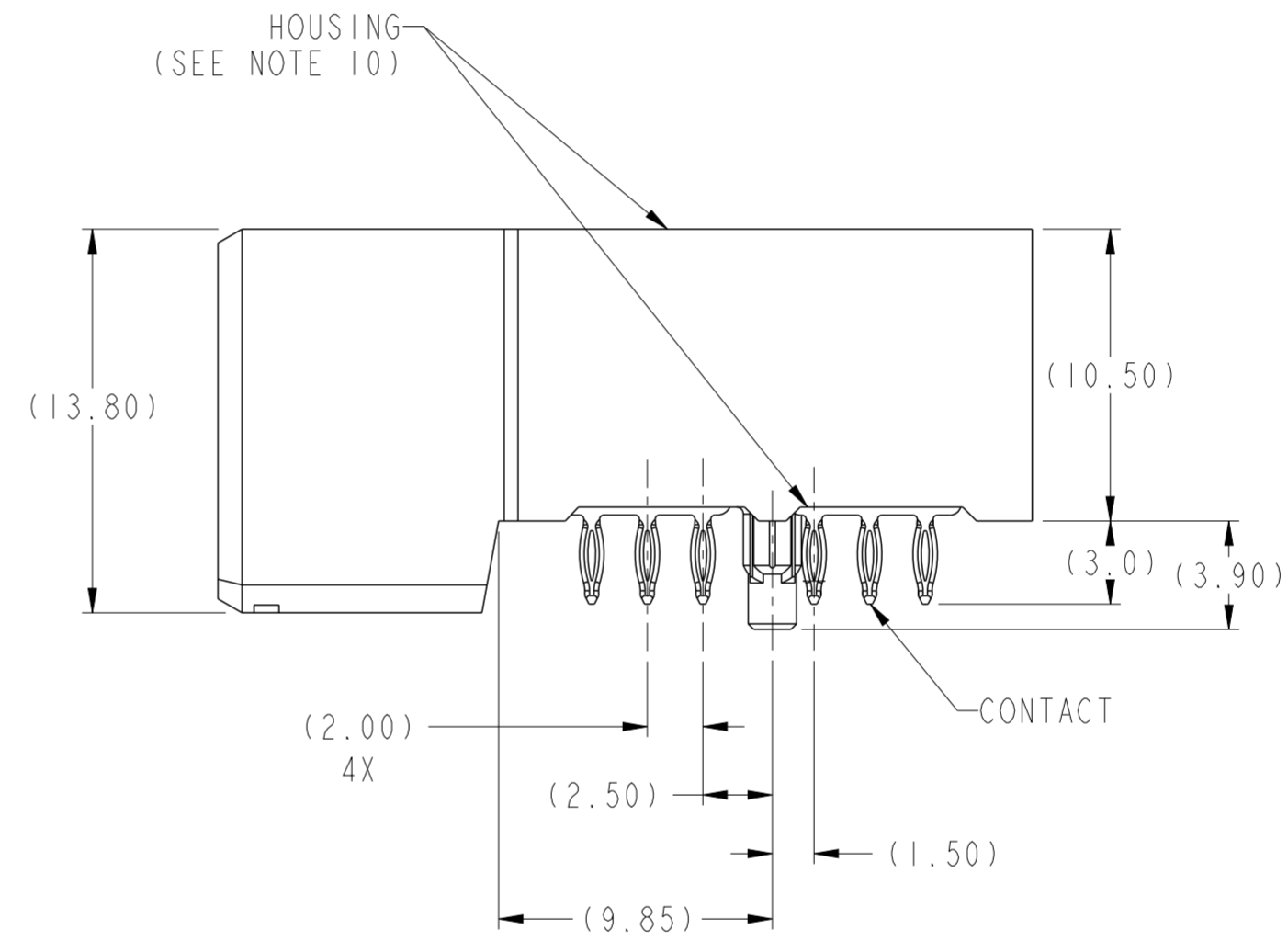
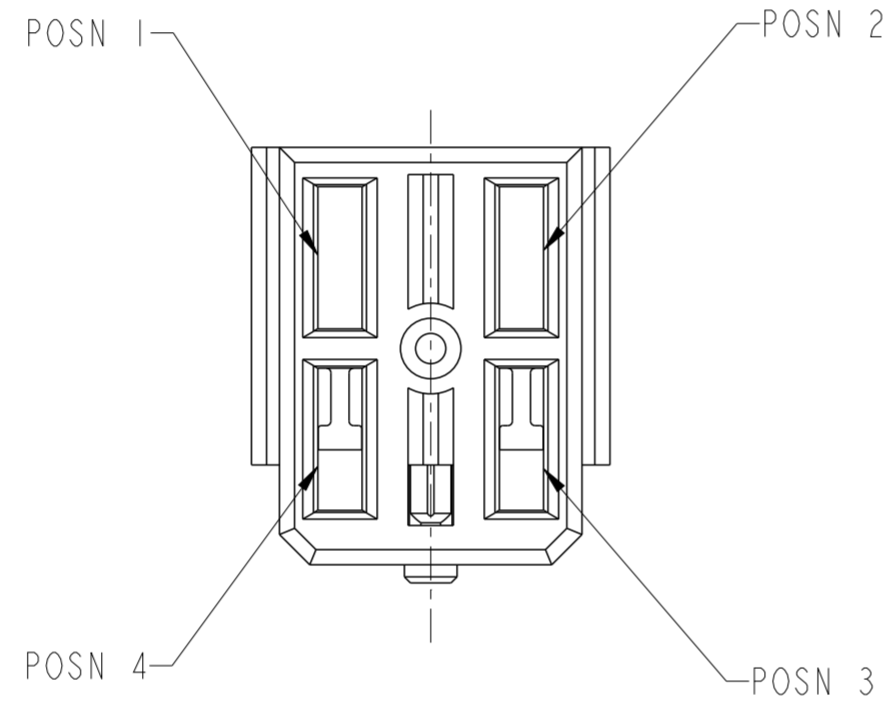
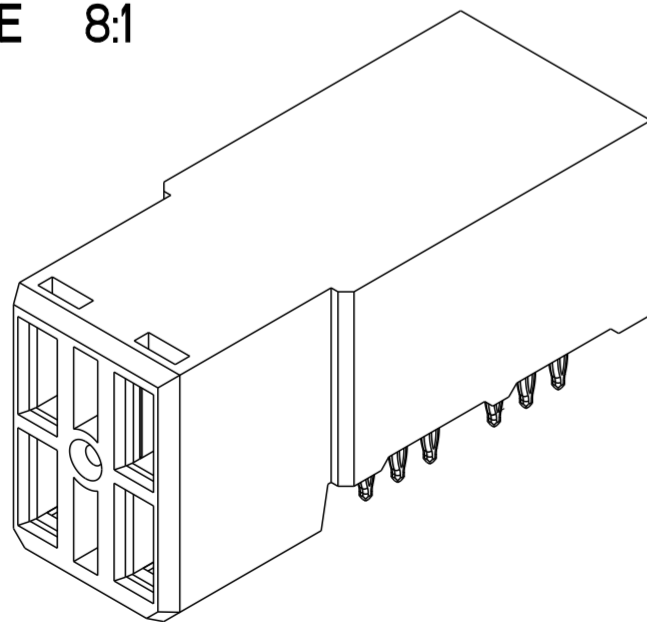


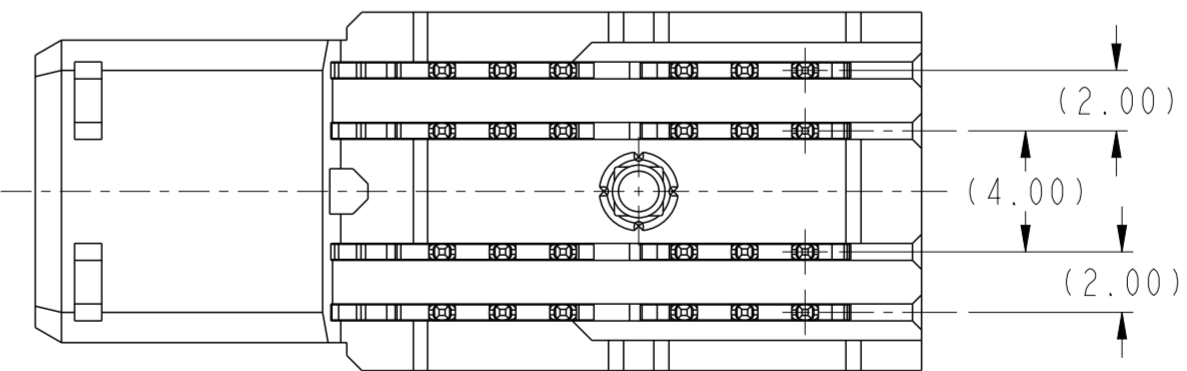
PRODUCT NUMBER ("LF" DENOTES LEAD-FREE)	CONTACT PLATING NOTE	CONTACT DEPTH (SEE SECTION A-A)				ROHS COMPATIBILITY
		POSN 1	POSN 2	POSN 3	POSN 4	
10052620-4444P00LF	2a	LONG	LONG	LONG	LONG	SEE NOTE 8
10052620-5555P00LF	2a	SHORT	SHORT	SHORT	SHORT	SEE NOTE 8
10052620-4555P00LF	2a	LONG	SHORT	SHORT	SHORT	SEE NOTE 8
10052620-5455P00LF	2a	SHORT	LONG	SHORT	SHORT	SEE NOTE 8
10052620-5545P00LF	2a	SHORT	SHORT	LONG	SHORT	SEE NOTE 8
10052620-5554P00LF	2a	SHORT	SHORT	SHORT	LONG	SEE NOTE 8
10052620-4554P00LF	2a	LONG	SHORT	SHORT	LONG	SEE NOTE 8
10052620-5544P00LF	2a	SHORT	SHORT	LONG	LONG	SEE NOTE 8
10052620-5455P00	2b	SHORT	LONG	SHORT	SHORT	NA



SECTION A-A
SCALE 8:1



3D VIEW
SCALE 3:1



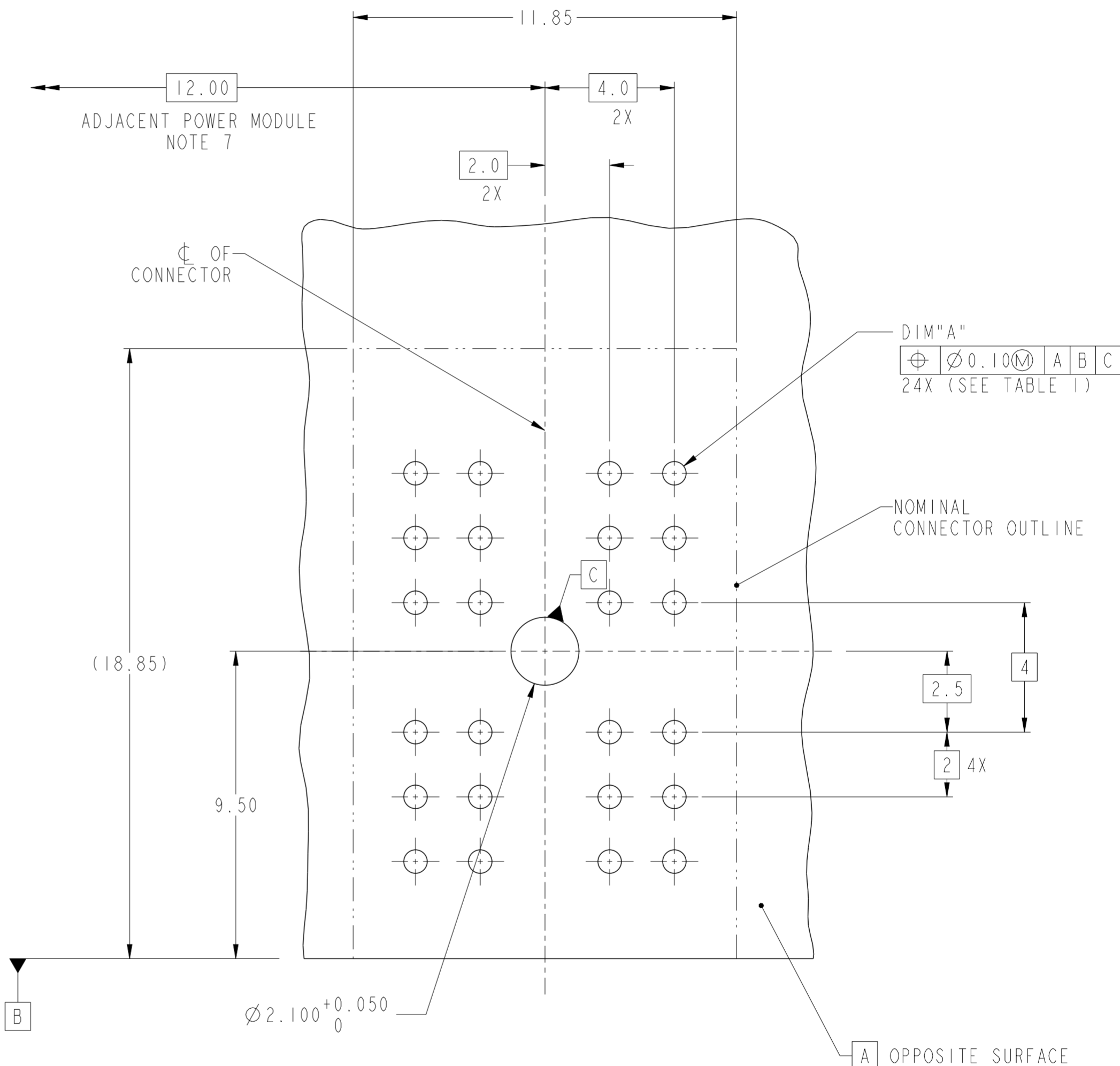
spec ref	GS-12-220	dr	wcadmin, wcadm	2007/02/10	projection	MM	size	A2	scale	1:1	
tolerance std	ASME Y14.5	eng	Terry Luo	2018/08/27			ecn no	ELX-DG-30994-1	rel level	Released	
TOLERANCES UNLESS OTHERWISE SPECIFIED		chr	-	appr			Heaven Cen	2018/08/27		product family	2mm High Power
surface	-	linear	0.X ±0.3 0.XX ±0.10 0.XXX ±0.050	Amphenol FCI			title	R/A RECEPTACLE ASSY 2X2 AirMAX Power		dwg no	10052620
ASME Y14.5	angular	0°	±2°	cat. no.	-	Product - Customer Drw	sheet 1 of 2				

TABLE I
PLATED THROUGH-HOLE REQUIREMENTS

TOP LAYER DESCRIPTION	DRILLED HOLE DIAMETER	COPPER THICKNESS	TIN-LEAD THICKNESS	NICKEL THICKNESS	GOLD THICKNESS	TIN THICKNESS	SILVER THICKNESS	FINISHED HOLE DIAMETER (DIM"A")
TIN-LEAD	0.81-0.86 (0.85 DRILL)	0.025 - 0.050	0.005 - 0.015	--	--	--	--	0.65 - 0.80
IMMERSION TIN	0.81-0.86 (0.85 DRILL)	0.025 - 0.050	--	--	--	0.9 - 1.5um	--	0.70 - 0.80
IMMERSION SILVER	0.81-0.86 (0.85 DRILL)	0.025 - 0.050	--	--	--	--	0.15 - 0.65um	0.70 - 0.80
COPPER (SEE NOTE 11)	0.81-0.86 (0.85 DRILL)	0.025 - 0.050	--	--	--	--	--	0.70 - 0.80
GOLD	0.81-0.86 (0.85 DRILL)	0.025 - 0.050	--	0.003 - 0.007	FLASH UP TO 0.0002	--	--	0.69 - 0.80

NOTES:

- CONNECTOR MATERIALS:
HOUSING: HIGH TEMPERATURE THERMOPLASTIC, BLACK
UL 94V-0 COMPLIANT
CONTACT: HIGH PERFORMANCE COPPER ALLOY
- a) CONTACT PLATING (LEAD FREE):
PRESS-FIT TAIL: 0.5um MIN MATTE TIN OVER NICKEL.
SEPARABLE INTERFACE: 0.76um MIN GXT OVER NICKEL.
b) CONTACT PLATING (LEADED):
PRESS-FIT TAIL: 0.5um MIN TIN-LEAD OVER NICKEL.
SEPARABLE INTERFACE: 0.76um MIN GXT OVER NICKEL.
- PRODUCT SPECIFICATION: GS-12-220
- APPLICATION SPECIFICATION: GS-20-023
- PRODUCT MARKING (PRODUCT NUMBER & DATE CODE) ON HOUSING IN AREA SHOWN.
- MINIMUM NOMINAL PCB THICKNESS: 1.6mm
- REFER TO CUSTOMER DRAWING 10035911 FOR INFORMATION REGARDING PCB LAYOUT OF POWER AND GUIDE MODULES RELATIVE TO SIGNAL MODULES.
- PRODUCT MEETS EUROPEAN UNION DIRECTIVES AND OTHER COUNTRY REGULATIONS AS DESCRIBED IN FCI SPECIFICATION GS-22-008.
- PACKAGING MEETS FCI SPECIFICATION GS-14-920.
- HOUSING COMPONENT WILL WITHSTAND EXPOSURE TO 260°C PEAK TEMPERATURE FOR 60 SECONDS IN A CONVECTION, INFRA-RED, OR VAPOR PHASE REFLOW OVEN.
- COPPER PLATING THICKNESS IN CENTER OF VIA-HOLE CAN BE NO MORE THAN 0.003 LESS THAN OTHER AREAS.



RECOMMENDED PCB LAYOUT
COMPONENT SIDE NOTE 6 SCALE
4:1

spec ref	GS-12-220	dr	wcadmin, wcadm	2007/02/10	projection	MM	size	A2	scale	1:1
tolerance std	ASME Y14.5	eng	Terry Luo	2018/08/27	chr	-	ecn no	ELX-DG-30994-1	rel level	Released
surface	-	appr	Heaven Cen	2018/08/27	product family	2mm High Power	rel level	Released	cat. no.	-
ASME Y14.5	linear	0.X	±0.3	0.XX	±0.10	0.XXX	±0.050	angular	0°	±2°
		Amphenol FCI		R/A RECEPTACLE ASSY 2X2		10052620		Product - Customer Drw		sheet 2 of 2
				AirMAX Power		J				