



## CODE 41 - TINEL-LOCK BACKSHELL

TXR41AB00-1608AI-S

SERIES \_\_\_\_\_  
 TXR: RING INCLUDED  
 (SEE RING OPTION)  
 TX: RING NOT INCLUDED  
 CONNECTOR INTERFACE \_\_\_\_\_  
 MATERIAL \_\_\_\_\_  
 REFER TO CH00-0250-008  
 FINISH \_\_\_\_\_  
 REFER TO CH00-0250-008  
 ANGLE \_\_\_\_\_  
 DASH NUMBER (TABLE 1) \_\_\_\_\_  
 ENTRY SIZE (TABLE 2) \_\_\_\_\_  
 RING OPTION \_\_\_\_\_  
 AI - TO SUIT SINGLE BRAID  
 BI - TO SUIT DOUBLE BRAID  
 FOR TX, LEAVE BLANK  
 MODIFICATION CODE \_\_\_\_\_  
 REFER TO CH00-0250-008

### NOTES:

1. THIS PRODUCT IS DESIGNED TO TERMINATE A BRAIDED CABLE SHIELD AND A HEAT SHRINKABLE LIPPED BOOT TO A CONNECTOR.
2. FOR ADDITIONAL DIMENSIONS, ORDERING INFORMATION AND MODIFICATIONS, SEE CH00-0250-008.
3. SEE DRAWING TR FOR DETAIL ON TINEL-LOCK RING, RINGS ARE DESIGNED TO BE HEATED ELECTRICALLY, ALL RINGS ARE MARKED WITH THERMOCHROMIC PAINT WHICH CHANGES COLOUR WHEN INSTALLATION TEMPERATURE IS REACHED.
4. BACKSHELL TO BE PERMANENTLY MARKED/BAGGED AND LABELLED WITH CODE IDENTIFICATION NUMBER AND PART NUMBER LESS RING DESIGNATOR. (e.g. 06090-TXR41AB00-1206). RING SHALL BEAR NO MARKING.
5. FOR LARGER ENTRY SIZES, A 2 PIECE BACKSHELL ASSEMBLY (TYPE 2) IS SUPPLIED.
6. BACKSHELL MATES TO MIL-DTL-38999, SERIES I AND II, CLASS E AND T, MS27466, MS27467, MS27468, MS27472, MS27473, MS27474, MS27479, MS27480, MS27481, MS27484, MS27497, MS27652, MS27653, MS27656 CONNECTORS.
7. THESE DIMENSIONS APPLY IF A SELF-LOCKING COUPLING NUT IS USED.

|  |                           |            |  |   |  |                      |  |                   |                             |
|--|---------------------------|------------|--|---|--|----------------------|--|-------------------|-----------------------------|
| DRAWN  | K.WINCZURA                | DATE       | 04/12/2014   | <br>3RD ANGLE PROJECTION<br>NOT TO SCALE | TITLE:   | TINEL-LOCK BACKSHELL | <br>Polamco<br><br>TE connectivity |                   |                             |
| CHECKED  |                           | 04/12/2014 | UNLESS OTHERWISE SPECIFIED<br>ALL DIMENSIONS IN MILLIMETRES<br>GENERAL TOL<br>LINEAR +/-0.25MM<br>ANGULAR +/- 1° |   |  |                      |  | ASSY USED ON:     | MIL-DTL-38999 SERIES I & II |
| APPROVED   | K.SHEPPARD                | 04/12/2014 |  |   | REVISIONS  |                      |  |                   |                             |
| APPROVED   | H.SMITH                   | 16/02/2015 | LTR  |   | DESCRIPTION  | DATE                 |  | APPROVED          |                             |
| H  | REVISED PER ECO-12-021161 | 04.12.12   | G.WELLS  |   |  |                      |  |                   |                             |
| J  | REVISED PER ECO-15-002319 | 16.02.15   | H.SMITH  |   |  |                      |  |                   |                             |
| TE CAGE CODE: 06090<br>POLAMCO/TE CAGE CODE: U5792 |                           |            |  |   | TE CONNECTIVITY - POLAMCO LTD RESERVES THE RIGHT TO AMEND THIS DRAWING AND THE INFORMATION SET FORTH HEREON AT ANY TIME. USERS SHOULD INDEPENDENTLY EVALUATE THE SUITABILITY OF THE PRODUCT FOR THEIR APPLICATION. |                      | DRAWING NO:<br>TXR41   | DRAWING REV:<br>J | SHT<br>1                    |



STRAIGHT BACKSHELL - TYPE 1



STRAIGHT BACKSHELL - TYPE 2



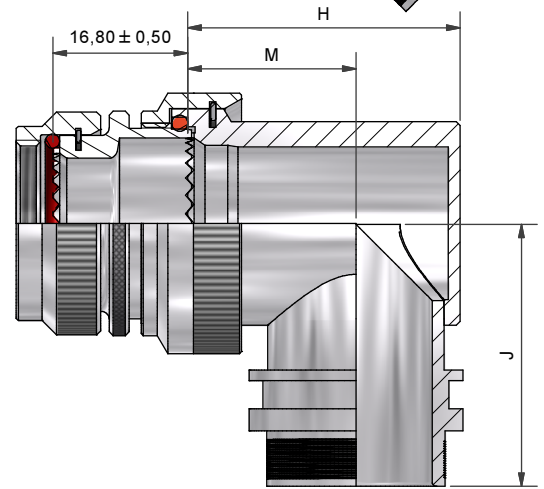
45° BACKSHELL - TYPE 1



45° BACKSHELL - TYPE 2



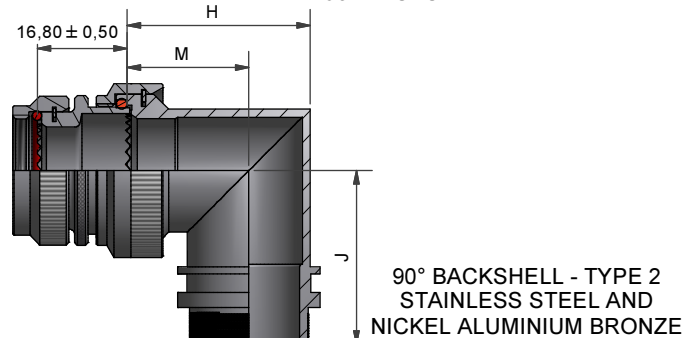
90° BACKSHELL - TYPE 1



90° BACKSHELL - TYPE 2



90° BACKSHELL - TYPE 1  
STAINLESS STEEL AND  
NICKEL ALUMINIUM BRONZE



90° BACKSHELL - TYPE 2  
STAINLESS STEEL AND  
NICKEL ALUMINIUM BRONZE

|           |                           |          |            |
|-----------|---------------------------|----------|------------|
| DRAWN     | K.WINCZURA                | DATE     | 04/12/2014 |
| CHECKED   |                           | DATE     | 04/12/2014 |
| APPROVED  | K.SHEPPARD                | DATE     | 04/12/2014 |
| APPROVED  | H.SMITH                   | DATE     | 16/02/2015 |
| REVISIONS |                           |          |            |
| LTR       | DESCRIPTION               | DATE     | APPROVED   |
| H         | REVISED PER ECO-12-021161 | 04.12.12 | G.WELLS    |
| J         | REVISED PER ECO-15-002319 | 16.02.15 | H.SMITH    |



TITLE:  
**TINEL-LOCK BACKSHELL**

ASSY USED ON:  
**MIL-DTL-38999 SERIES I & II**



TE CAGE CODE: 06090  
POLAMCO/TE CAGE CODE: U5792

TE CONNECTIVITY - POLAMCO LTD RESERVES THE RIGHT TO AMEND THIS DRAWING AND THE INFORMATION SET FORTH HEREON AT ANY TIME. USERS SHOULD INDEPENDENTLY EVALUATE THE SUITABILITY OF THE PRODUCT FOR THEIR APPLICATION.

|                             |                          |                 |
|-----------------------------|--------------------------|-----------------|
| DRAWING NO:<br><b>TXR41</b> | DRAWING REV:<br><b>J</b> | SHT<br><b>2</b> |
|-----------------------------|--------------------------|-----------------|

# MODIFICATION S (SELF-LOCKING COUPLING NUT)



BACKSHELL - TYPE 1



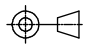
BACKSHELL - TYPE 2

TABLE 1

| ORDER NO. | SHELL SIZE SER I / SER II | A THREAD      | ØB MAX | ØB MAX (7) | MAX ENTRY | C ±0,5 | D ±0,5 | W ±0,5 | T ±0,5 | E ±0,5 | THESE DIMENSIONS APPLY IF BACKSHELL IS STAINLESS STEEL OR NICKEL ALUMINIUM BRONZE |        |        |
|-----------|---------------------------|---------------|--------|------------|-----------|--------|--------|--------|--------|--------|---|--------|--------|
|           |                           |               |        |            |           |        |        |        |        |        | W ±0,5  | T ±0,5 | E ±0,5 |
| 08        | 9 / 8                     | 7/16-28UNEF   | 18,3   | 18,0       | 04        | 16,4   | 26,8   | 21,0   | 14,0   | 26,20  | 21,3  | 16,4   | 26,4   |
| 10        | 11 / 10                   | 9/16-24UNEF   | 21,5   | 21,0       | 07        | 17,2   | 27,5   | 24,0   | 15,5   | 27,95  | 24,4  | 17,3   | 28,2   |
| 12        | 13 / 12                   | 11/16-24UNEF  | 24,5   | 25,0       | 08        | 17,6   | 28,0   | 27,0   | 17,0   | 29,45  | 28,4  | 19,5   | 29,7   |
| 14        | 15 / 14                   | 13/16-20UNEF  | 27,8   | 28,0       | 10        | 18,5   | 29,0   | 31,0   | 19,5   | 31,00  | 31,2  | 21,0   | 31,2   |
| 16        | 17 / 16                   | 15/16-20UNEF  | 30,8   | 31,0       | 12        | 19,2   | 29,7   | 34,0   | 21,0   | 32,70  | 34,3  | 22,8   | 32,9   |
| 18        | 19 / 18                   | 1 1/16-18UNEF | 34,1   | 34,0       | 14        | 19,6   | 30,5   | 35,0   | 20,0   | 34,25  | 38,6  | 25,3   | 34,5   |
| 20        | 21 / 20                   | 1 3/16-18UNEF | 37,3   | 37,0       | 16        | 20,4   | 30,9   | 38,0   | 21,5   | 35,80  | 40,8  | 26,1   | 36,1   |
| 22        | 23 / 22                   | 1 5/16-18UNEF | 40,5   | 40,0       | 18        | 20,8   | 31,1   | 42,0   | 24,0   | 37,40  | 43,8  | 27,6   | 37,6   |
| 24        | 25 / 24                   | 1 7/16-18UNEF | 43,7   | 43,5       | 20        | 21,7   | 32,1   | 45,0   | 25,5   | 38,90  | 46,5  | 29,1   | 39,1   |

TABLE 2

| ENTRY SIZE | ØZ MIN | ØS            | ØY ± 0,3 | ØK MAX | ØK MAX (7) | F ±0,5 | G ±0,5 | H ±0,5 | M ±0,5 | J ±0,5 | THESE DIMENSIONS APPLY IF BACKSHELL IS STAINLESS STEEL OR NICKEL ALUMINIUM BRONZE |        |        |
|------------|--------|---------------|----------|--------|------------|--------|--------|--------|--------|--------|---|--------|--------|
|            |        |               |          |        |            |        |        |        |        |        | H ±0,5  | M ±0,5 | J ±0,5 |
| 04         | 6,35   | 9,49 +/-0,04  | 14,00    | NA     | NA         | NA     | NA     | NA     | NA     | NA     | NA  | NA     | NA     |
| 05         | 7,92   | 11,06 +/-0,04 | 15,50    | 21,0   | 24,6       | 12,5   | 27,5   | 24,0   | 15,5   | 27,95  | 24,3  | 17,2   | 28,2   |
| 06         | 9,53   | 12,66 +/-0,04 | 17,10    | 21,0   | 24,6       | 12,5   | 27,5   | 24,0   | 15,5   | 27,95  | 24,3  | 17,2   | 28,2   |
| 07         | 11,10  | 14,21 +/-0,07 | 18,70    | 21,0   | 24,6       | 12,5   | 27,5   | 24,0   | 15,5   | 27,95  | 24,3  | 17,2   | 28,2   |
| 08         | 12,70  | 15,81 +/-0,07 | 20,30    | 24,5   | 28,3       | 13,1   | 28,0   | 27,0   | 17,0   | 29,45  | 28,3  | 19,4   | 29,7   |
| 10         | 15,88  | 18,96 +/-0,08 | 23,50    | 29,0   | 32,4       | 13,5   | 29,0   | 31,0   | 19,5   | 31,00  | 31,1  | 21,0   | 31,2   |
| 12         | 19,05  | 22,14 +/-0,08 | 26,70    | 32,5   | 35,6       | 14,5   | 29,7   | 34,0   | 21,0   | 32,70  | 34,2  | 22,8   | 32,9   |
| 14         | 22,23  | 25,30 +/-0,08 | 29,80    | 35,5   | 38,5       | 15,5   | 30,5   | 35,0   | 20,0   | 34,25  | 38,5  | 25,3   | 34,5   |
| 16         | 25,40  | 28,48 +/-0,08 | 33,00    | 37,0   | 41,7       | 16,1   | 30,9   | 38,0   | 21,5   | 35,80  | 40,7  | 26,1   | 36,1   |
| 18         | 28,58  | 31,65 +/-0,08 | 36,20    | 40,0   | 43,9       | 16,5   | 31,1   | 42,0   | 24,0   | 37,40  | 43,7  | 27,6   | 37,6   |
| 20         | 31,75  | 34,83 +/-0,08 | 39,40    | 43,5   | 47,0       | 17,0   | 32,1   | 45,0   | 25,5   | 38,90  | 46,4  | 29,1   | 39,1   |
| 22         | 34,93  | 37,98 +/-0,08 | 42,50    | 48,5   | 50,0       | 18,5   | 35,3   | 54,5   | 31,0   | 42,00  | 50,0  | 31,0   | 42,0   |
| 24         | 38,10  | 41,15 +/-0,08 | 45,70    | 52,1   | 56,0       | 21,9   | 38,1   | 58,0   | 33,0   | 46,00  | 53,5  | 33,0   | 46,0   |

|           |                           |          |            |   |
|-----------|---------------------------|----------|------------|---|
| DRAWN     | K.WINCZURA                | DATE     | 04/12/2014 | <br>3RD ANGLE PROJECTION<br>NOT TO SCALE |
| CHECKED   |                           | DATE     | 04/12/2014 |   |
| APPROVED  | K.SHEPPARD                | DATE     | 04/12/2014 |   |
| APPROVED  | H.SMITH                   | DATE     | 16/02/2015 |   |
| REVISIONS |                           |          |            |   |
| LTR       | DESCRIPTION               | DATE     | APPROVED   |   |
| H         | REVISED PER ECO-12-021161 | 04.12.12 | G.WELLS    |   |
| J         | REVISED PER ECO-15-002319 | 16.02.15 | H.SMITH    |   |

|               |  |                             |  |
|---------------|--|-----------------------------|--|
| TITLE:        |  | TINEL-LOCK BACKSHELL        |  |
| ASSY USED ON: |  | MIL-DTL-38999 SERIES I & II |  |

