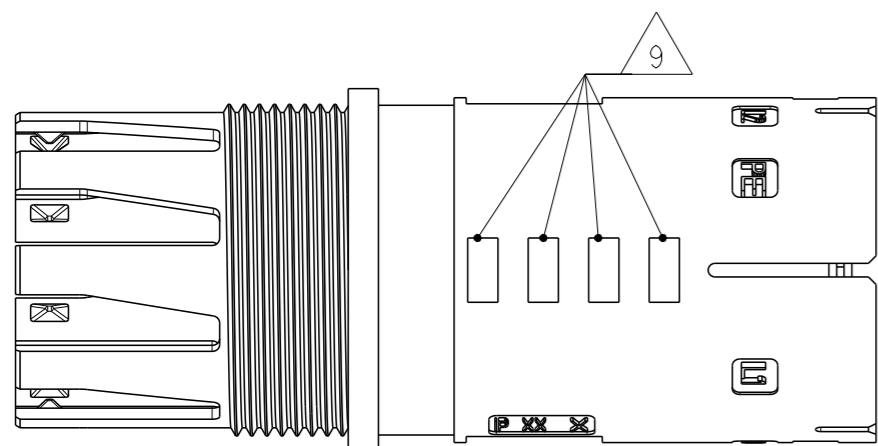
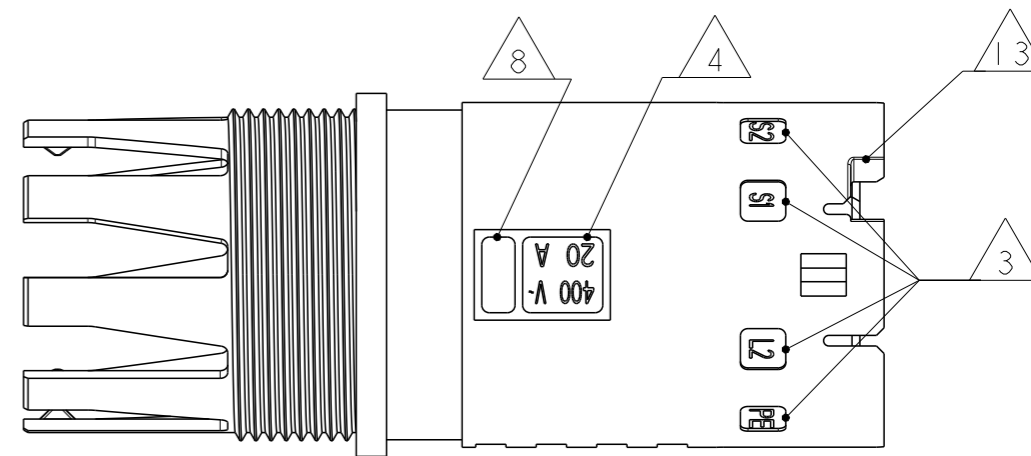


THIS DRAWING IS UNPUBLISHED. RELEASED FOR PUBLICATION 2011
© COPYRIGHT 2011 BY - ALL RIGHTS RESERVED.

LOC	DIST	REVISIONS			
P	LTR	DESCRIPTION	DATE	DWN	APVD
	2	UPDATED	02MAY2011	AB	GT
	3	UPDATED	21MAY2011	AB	GT
	4	UPDATED	22JUL2013	MZ	JC
	A	PARTS RELEASED FOR PRODUCTION	12NOV2013	MZ	JC




NOTES:

- 1 MATERIAL: PA GF (NATURAL AND BLACK COLOUR)
- 2 ALL POLARIZATION KEYS SHOWN FOR REF ONLY
- 3 WAYS I.D.
- 4 VOLTAGE AND CURRENT RATINGS
- 5 TE LOGO
- 6 TE PART NUMBER
- 7 DATA CODE
- 8 AREA FOR AGENCIES APPROVAL LOGO
- 9 VISUAL INDOCATOR FOR PE CONDUCTOR

10) SEE C-DRAWING 293682 (LOCKING CAP) TO GET IP 40

- 11 IP CODE
- 12 CAVITY I.D.
- 13 SLOTS TO ALLOW DELATCHING TOOL OPERATION. FOR DEALTCHING TOOL AND OPERATION REFER TO APPLICATION SPECIFICATION



THIS DRAWING IS A CONTROLLED DOCUMENT.		DWN A. BERNARDI 31MAR2011	 TE Connectivity	
DIMENSIONS: mm		CHK M. ZUCCA 31MAR2011		
TOLERANCES UNLESS OTHERWISE SPECIFIED:		APVD G. TURCO 31MAR2011	NAME SOCKET HOUSING 7 POLES FREE HANGING M-LINE NECTOR UNSEALED VERSION	
<ul style="list-style-type: none"> 0 PLC ±- 1 PLC ±0.3 2 PLC ±0.20 3 PLC ±- 4 PLC ±- ANGLES ±3° 		PRODUCT SPEC -	SIZE A300779	
MATERIAL -		APPLICATION SPEC -	DRAWING NO C-293721	
FINISH -		WEIGHT -	RESTRICTED TO -	
Customer Drawing		SCALE 2:1	SHEET 1 OF 2 REV A	

THIS DRAWING IS UNPUBLISHED.

RELEASED FOR PUBLICATION

2011

© COPYRIGHT 2011 BY -

ALL RIGHTS RESERVED.

LOC	DIST	REVISIONS					
		P	LTR	DESCRIPTION	DATE	DWN	APVD
1	-	-	-	SEE SHEET 1	-	-	-

POLARIZATION TYPES


POLARIZATION TYPE "A"	POLARIZATION TYPE "B"	POLARIZATION TYPE "C"
PNs 0-293721-1 AND 1-293721-1	PNs 0-293721-2 AND 1-293721-2	PNs 0-293721-3 AND 1-293721-3
POLARIZATION TYPE "D"	POLARIZATION TYPE "E"	
PNs 0-293721-4 AND 1-293721-4	PNs 0-293721-5 AND 1-293721-5	

TABLE 1

NOTE	POL. KEYING	COLOUR	DESCRIPTION	REV.	P/N
	E	BLACK	SKT HSG 7 POLE FREE HANGING NECTOR* M-LINE	A	1-293721-5
	D	BLACK	SKT HSG 7 POLE FREE HANGING NECTOR* M-LINE	A	1-293721-4
	C	BLACK	SKT HSG 7 POLE FREE HANGING NECTOR* M-LINE	A	1-293721-3
	B	BLACK	SKT HSG 7 POLE FREE HANGING NECTOR* M-LINE	A	1-293721-2
	A	BLACK	SKT HSG 7 POLE FREE HANGING NECTOR* M-LINE	A	1-293721-1
	E	NATURAL	SKT HSG 7 POLE FREE HANGING NECTOR* M-LINE	A	0-293721-5
	D	NATURAL	SKT HSG 7 POLE FREE HANGING NECTOR* M-LINE	A	0-293721-4
	C	NATURAL	SKT HSG 7 POLE FREE HANGING NECTOR* M-LINE	A	0-293721-3
	B	NATURAL	SKT HSG 7 POLE FREE HANGING NECTOR* M-LINE	A	0-293721-2
	A	NATURAL	SKT HSG 7 POLE FREE HANGING NECTOR* M-LINE	A	0-293721-1

THIS DRAWING IS A CONTROLLED DOCUMENT.

DIMENSIONS: mm	TOLERANCES UNLESS OTHERWISE SPECIFIED: 0 PLC ± 1 PLC ±0.3 2 PLC ±0.20 3 PLC ± 4 PLC ± ANGLES ±3°
MATERIAL -	FINISH -

DWN A. BERNARDI 31MAR2011	 TE Connectivity
CHK M. ZUCCA 31MAR2011	
APVD G. TURCO 31MAR2011	
PRODUCT SPEC -	
APPLICATION SPEC -	NAME SOCKET HOUSING 7 POLES FREE HANGING M-LINE NECTOR UNSEALED VERSION
WEIGHT -	SIZE A300779
Customer Drawing	DRAWING NO C-293721
	RESTRICTED TO -
	SCALE 2:1
	SHEET 2 OF 2
	REV A