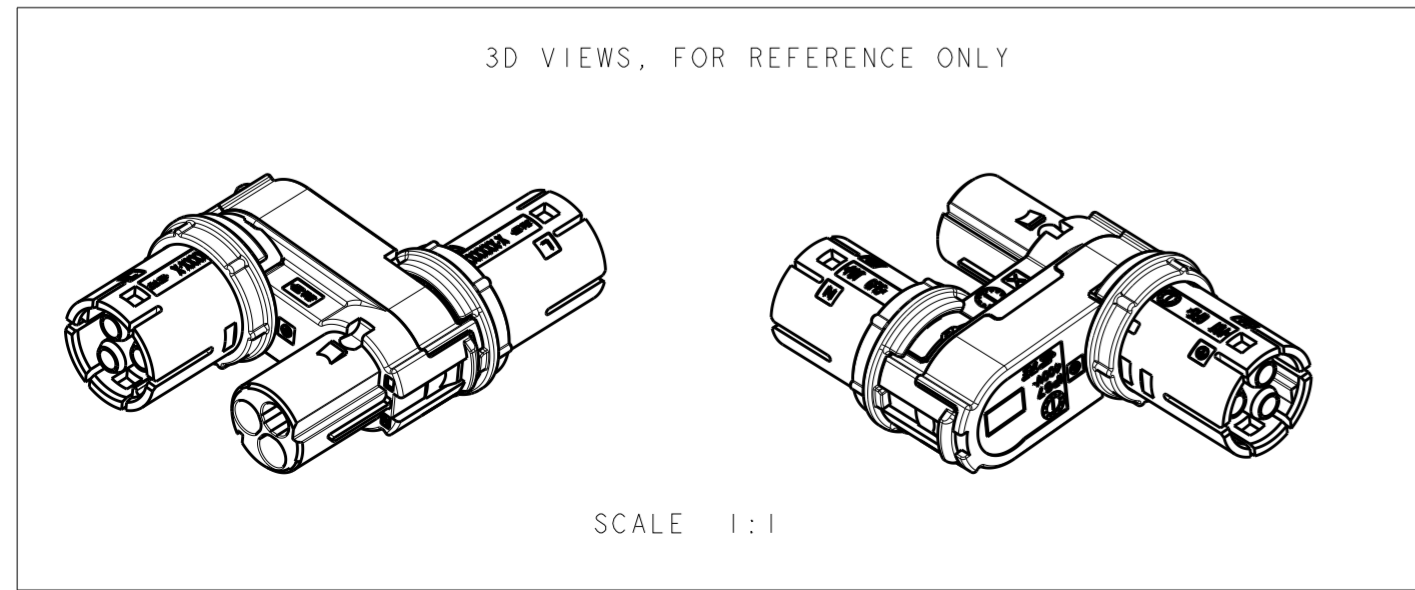
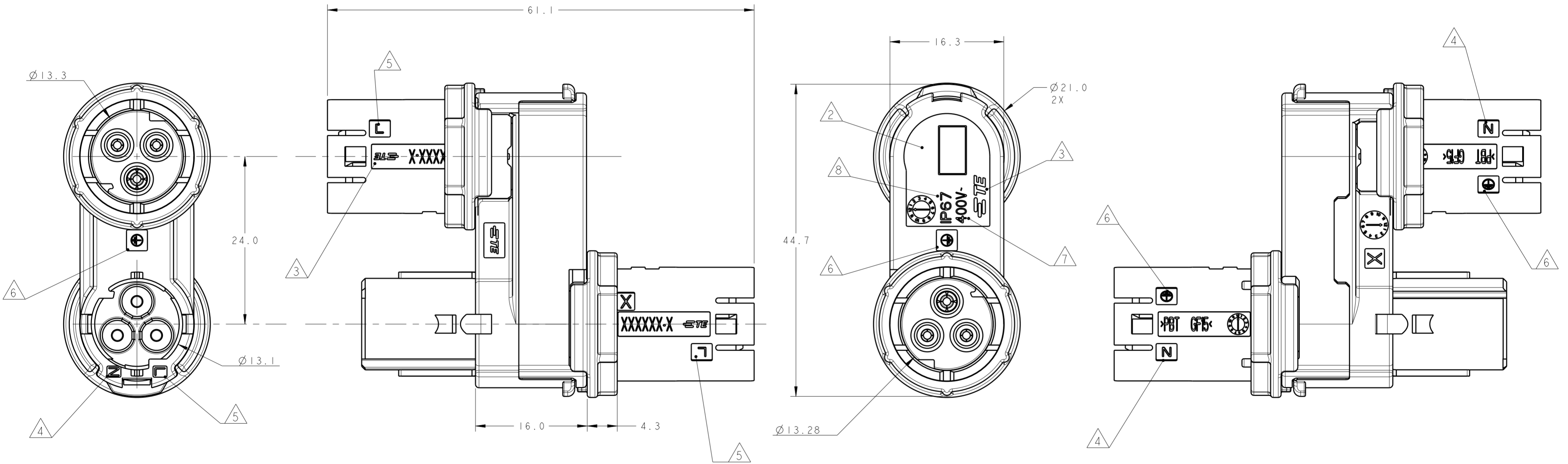


THIS DRAWING IS UNPUBLISHED. RELEASED FOR PUBLICATION 20  
 © COPYRIGHT 20 BY - ALL RIGHTS RESERVED.

LOC		DIST		REVISIONS			
P	LTR	DESCRIPTION	DATE	DWN	APVD		
A		REVISED PER ECR-15-008877	17JUN2015	RS	JL		
B		REVISED PER ECR-15-011756	12AUG2015	RS	JL		

NOTES:

- 1 MATERIAL:  
HOUSING: GF PBT, COLOR: BLACK  
CONTACTS: COPPER ALLOY, FINISH: Sn OVER Ni.
- 2 IP CODE
- 3 TE LOGO
- 4 N CODE
- 5 L CODE
- 6 PE CODE
- 7 RATED VOLTAGE
- 8 AREA FOR AGENCY APPROVAL LOGO

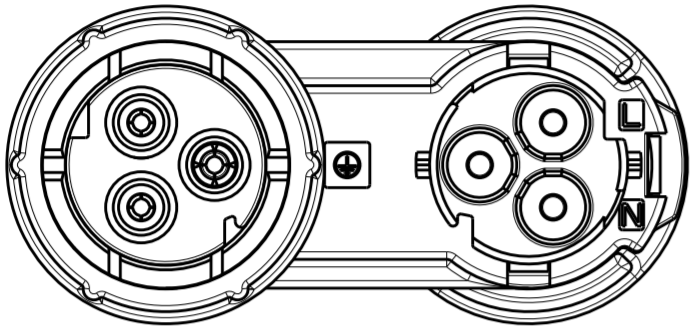
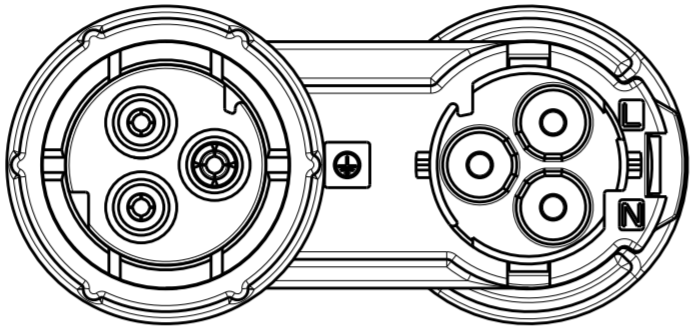
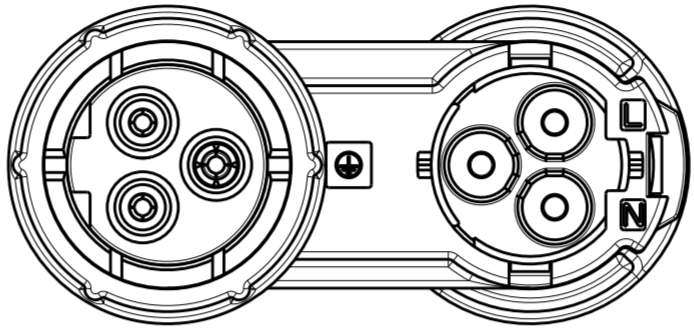
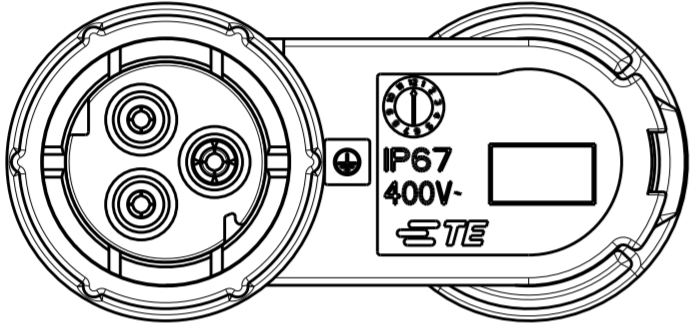
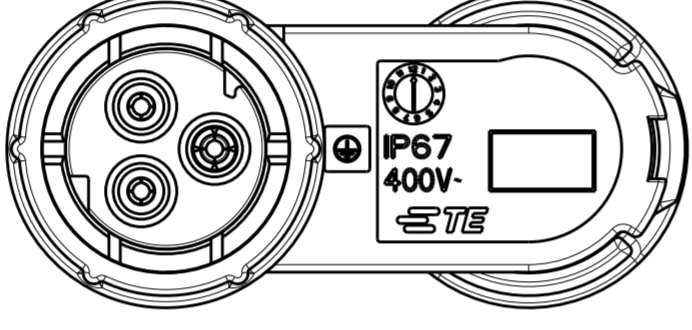
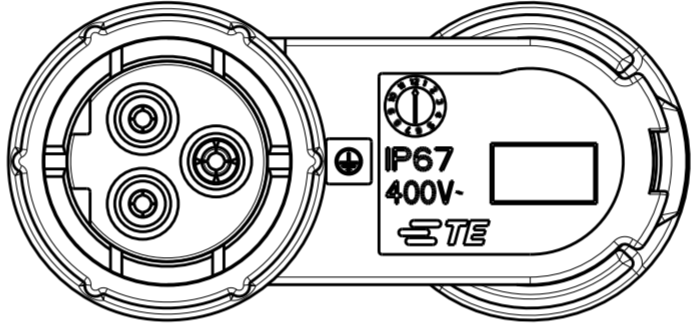





THIS DRAWING IS A CONTROLLED DOCUMENT.		DWN C. DAILY 24FEB2014	TE Connectivity	
		CHK M. STOLLER 24FEB2014		
DIMENSIONS:		APVD	NAME	
mm	TOLERANCES UNLESS OTHERWISE SPECIFIED:	PRODUCT SPEC	T-SPLITTER, NECTOR M, 3 POSN, SEALED	
	0 PLC ±	108-133014	-	
	1 PLC ±0.3	APPLICATION SPEC	SIZE	CAGE CODE
	2 PLC ±0.20	114-32111	A2	-
	3 PLC ±	WEIGHT	DRAWING NO	
	4 PLC ±	-	G-2213434	
	ANGLES ±3°	Customer Drawing	SCALE	SHEET
	FINISH		5:2	1 OF 2
				REV B


THIS DRAWING IS UNPUBLISHED. RELEASED FOR PUBLICATION 20  
 © COPYRIGHT 20 BY - ALL RIGHTS RESERVED.

LOC		DIST		REVISIONS			
P	LTR	DESCRIPTION	DATE	DWN	APVD		
-	-	SEE SHEET 1	-	-	-		

POLARIZATION KEYS

TYPE "A"	TYPE "B"	TYPE "C"
		
		
P/N 2213434-1	P/N 2213434-2	P/N 2213434-3

	T-SPLITTER CONNECTOR SEALED VERS. NECTOR M, 3 POSITION	C	2213434-3
	T-SPLITTER CONNECTOR SEALED VERS. NECTOR M, 3 POSITION	B	2213434-2
	T-SPLITTER CONNECTOR SEALED VERS. NECTOR M, 3 POSITION	A	2213434-1
NOTE	DESCRIPTION	POL. KEYS	PART NUMBER

THIS DRAWING IS A CONTROLLED DOCUMENT.		DWN C. DAILY 24FEB2014	 TE Connectivity	
		CHK M. STOLLER 24FEB2014		
DIMENSIONS: mm		NAME T-SPLITTER, NECTOR M, 3 POSN, SEALED		RESTRICTED TO -
TOLERANCES UNLESS OTHERWISE SPECIFIED: 0 PLC ± 1 PLC ±0.3 2 PLC ±0.20 3 PLC ± 4 PLC ± ANGLES ±3° FINISH		PRODUCT SPEC 108-133014	SIZE A2	
MATERIAL		APPLICATION SPEC 114-32111	CAGE CODE -	DRAWING NO C-2213434
		WEIGHT -	SCALE 2:1	SHEET 2 OF 2
		Customer Drawing	REV B	