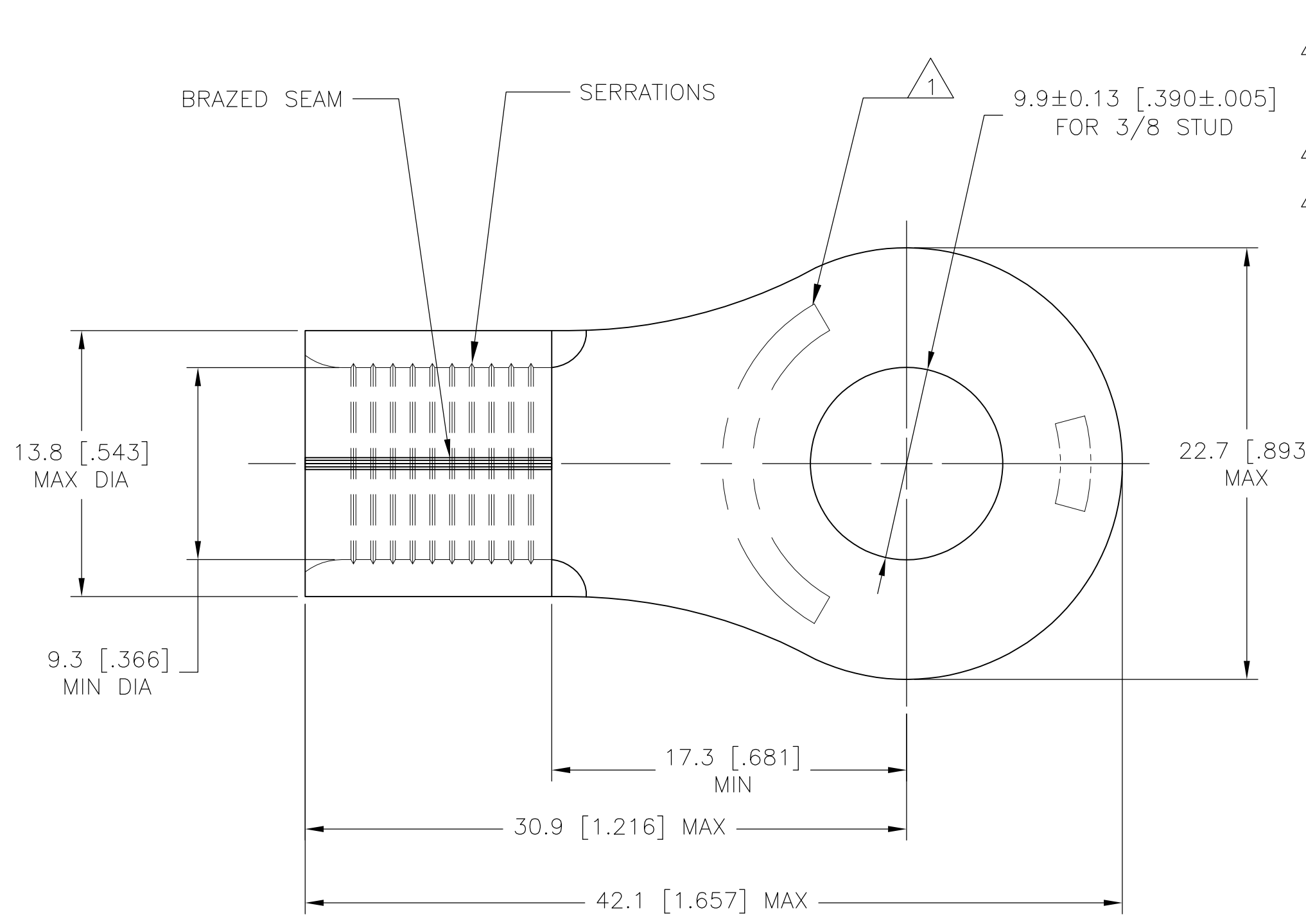


THIS DRAWING IS UNPUBLISHED. RELEASED FOR PUBLICATION  
 © COPYRIGHT - By - ALL RIGHTS RESERVED.

LOC	DIST	REVISIONS			
P	LTR	DESCRIPTION	DATE	DWN	APVD
G	86	A2	REVISED PER ECO-14-006484	03MAY2014	NK DR



- △ 1 STAMP "AMP 2W\* 60-75" LOCATED APPROX AS SHOWN ON BOTTOM.
- △ 2 COPPER PER ASTM B-152
- △ 3 NICKEL PLATE PER QQ-N-290
- 4 MATERIAL THICKNESS 1.78±0.08[.070±.003]

131297-1  
 PART NO

THIS DRAWING IS A CONTROLLED DOCUMENT.		DWN jr_ruth 25FEB10	TE Connectivity		
DIMENSIONS: mm [INCHES]		CHK T MICHELUTTI 25FEB10			
TOLERANCES UNLESS OTHERWISE SPECIFIED:		APVD T MICHELUTTI 25FEB10	WIRE TERMINAL, RING TONGUE, SOLISTRAND, WIRE SIZE: #2 AWG		
0 PLC ± - 1 PLC ± - 2 PLC ± 0.2 [.008] 3 PLC ± - 4 PLC ± - ANGLES ± 5°		PRODUCT SPEC	RESTRICTED TO		
MATERIAL △ 2		APPLICATION SPEC	SIZE	CAGE CODE	DRAWING NO
FINISH △ 3		WEIGHT	A3	00779	C-131297
CUSTOMER DRAWING			SCALE	SHEET	REV
			4:1	1 OF 1	A2