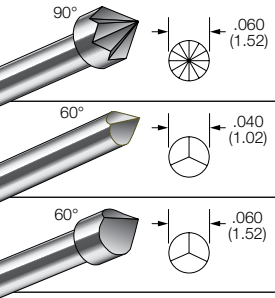


S-100 Rotator .100 CENTERS

BeCu PLUNGER TIPS



LM

S

T

PROBE SPECIFICATIONS

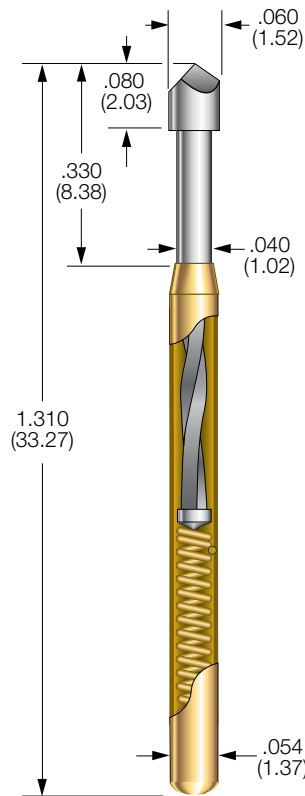
Minimum Centers: .100 (2.54)
Current Rating: 3 amps continuous
Spring Force: 4.0, 5.5, 6.7, 8.0 or 10.0 oz. @ .170 (4.32) travel
Typical Resistance: < 50 mΩ
Maximum Travel: .220 (5.59)
Working Travel: .170 (4.32)
Rotates: 90° @ .170 (4.32) travel

Rated Force oz (g)	Preload oz (g)	Material
4.0 (113)	1.5 (43)	SS
5.5 (156)	2.0 (57)	SS
6.7 (190)	1.5 (43)	SS
8.0 (227)	2.8 (80)	MW
10.0 (283)	1.8 (51)	MW

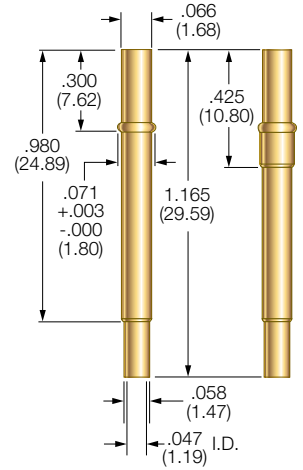
MATERIALS

Contact Barrel: G2
Spring: Music wire or stainless steel, gold plated
Plunger: Beryllium copper, Duralloy™ plated
Receptacle: Nickel/silver, gold plated; gold plated post

S-100 ROTATOR



R-100 Receptacle R Series RX Series



Drill Size: #50
Mounting Hole Size: .068/.070 (1.73/1.78)
Recommended Wire: 22-26 gage

RECEPTACLE OPTIONS

Part Number	Style	Receptacle Length	Probe/Receptacle Combined Length	Comments
R-100-CR	Crimp	1.165 (29.59)	1.495 (37.97)	—
R-100-SC	Solder Cup	1.165 (29.59)	1.495 (37.97)	—
R-100-RP	Round Post	1.540 (39.12)	1.870 (47.50)	.375 post length - .025 dia.
R-100-WW-429	Wire Wrap	1.594 (40.49)	1.924 (48.87)	.429 post length - .025 sq.
R-100-WW-694	Wire Wrap	1.859 (47.22)	2.189 (55.60)	.694 post length - .025 sq.
R-100-WW-1.044	Wire Wrap	2.209 (56.11)	2.539 (64.49)	1.044 post length - .025 sq.

HOW TO ORDER: SPRING CONTACT PROBE

S **100** **T** **4** **RT**
 SERIES SIZE TIP STYLE SPRING FORCE ROTATOR

SPRING FORCE:
 4.0 oz. @ .170 (4.32) TRAVEL
 5.5 oz. @ .170 (4.32) TRAVEL
 6.7 oz. @ .170 (4.32) TRAVEL
 8.0 oz. @ .170 (4.32) TRAVEL
 10.0 oz. @ .170 (4.32) TRAVEL

CRIMPING PLIERS: CPR100
 INSERTION TOOL: RTR100

RECEPTACLE

R **100** **WW** **429**
 SERIES SIZE TERMINATION POST LENGTH

SERIES:
R: HIGH PERFORMANCE
RX: IMPROVED POINTING ACCURACY

TERMINATIONS:
CR: CRIMP
SC: SOLDER CUP
RP: ROUND POST
WW: WIRE WRAP

POST LENGTH:
WW: 429, 694 or 1.044

VIEW UPDATES OF THIS INFORMATION AT WWW.IDINET.COM

Specifications subject to change without notice. Dimensions in inches (millimeters)