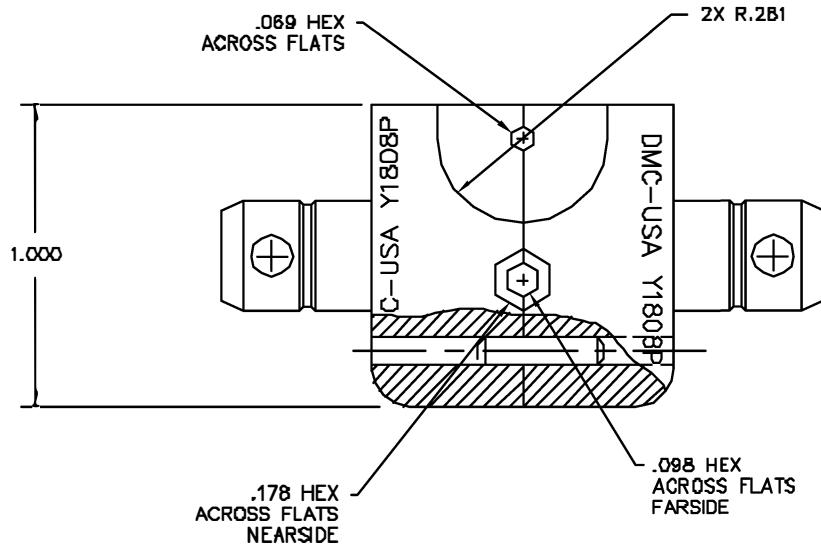



REVISIONS				
REV. SYN.	E.C.O. NUMBER	DESCRIPTION	BY DATE	APP'D DATE
1		ORIGINAL RELEASE	JWJ 11/3/00	RRR 11/3/00



**UNCONTROLLED DOCUMENT  
WILL NOT BE UPDATED**

1. FUNCTIONAL EQUIVALENT TO KINGS KTH2208.

NOTES:

<b>RESTRICTED &amp; CONFIDENTIAL</b>		MATERIAL		ITEM	PART NO.	QTY.	DESCRIPTION/REMARKS					
CONFIDENTIAL PROPERTY OF DANIELS MANUFACTURING CORP. NOT TO BE DISCLOSED TO OTHERS, REPRODUCED OR USED FOR ANY OTHER PURPOSE, EXCEPT AS AUTHORIZED IN WRITING BY DANIELS MANUFACTURING. MUST BE RETURNED TO DANIELS MANUFACTURING CORP. ON COMPLETION OF ORDER OR OTHER PURPOSE FOR WHICH LENT.		HEAT TREAT		DRW.	J. JOYCE	DATE	 DANIELS MANUFACTURING CORP. ORLANDO, FLORIDA CAGE 11851					
				CHKD.	RRR	DATE		11/3/00				
				APPD.		DATE		11/3/00				
				APPD.		DATE						
DO NOT SCALE DRAWING		FINISH		TITLE		DIE SET ENVELOPE DRAWING						
				WHERE USED:				SIZE	SCALE	CAD P/N	SHEET	OF
				B		NTS		Y1808P-ENV		1	1	
				POSTING		P/N		Y1808P-ENV		REV.	1	