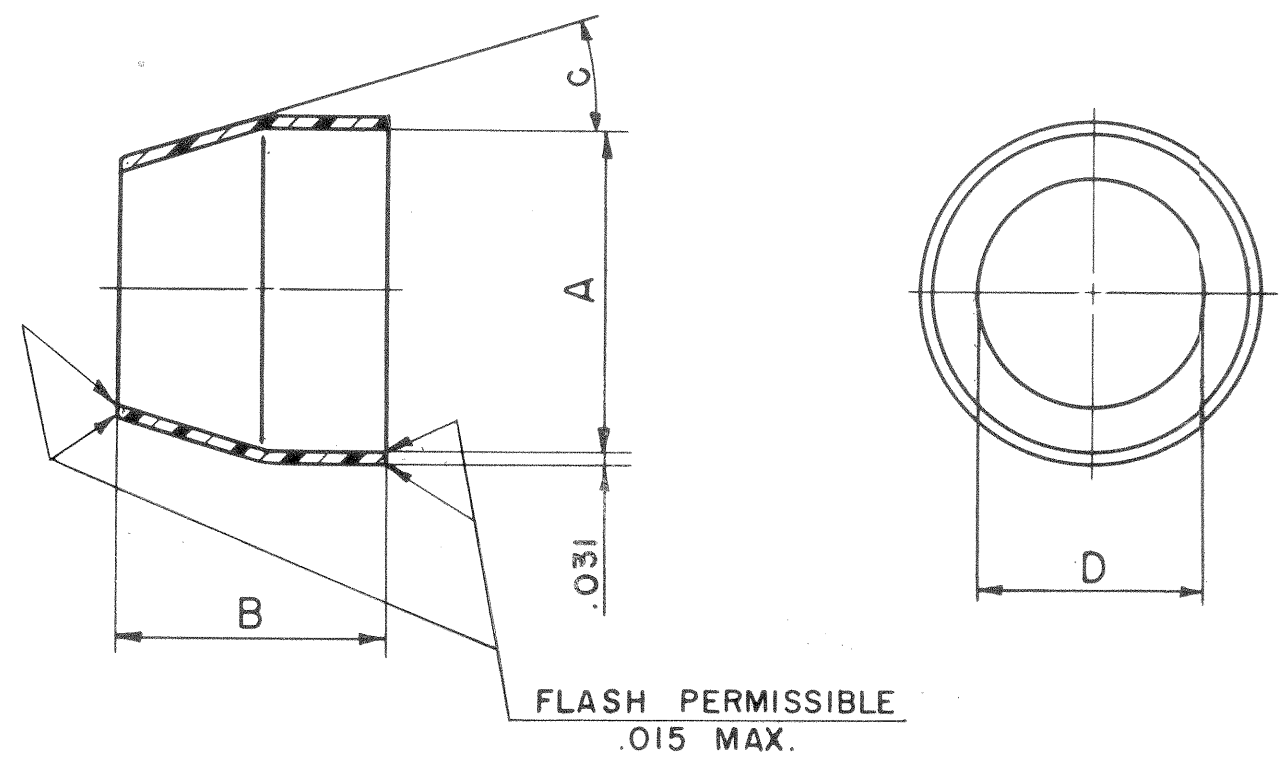


PART NUMBER	A DIA	B	C	D DIA	WT-LB	COMMENT	RELEASE
10-36298-8	.516 <sup>+0.000</sup> / <sub>-0.010</sub>	.63	22°	.288	.0010	22387-6	30508-227
-10	.609	↓		.359	.0011		
-12	.766	↓		.484	.0016		
-13	.766	.851		.484			
-14	.844	.633		.609	.0020		
-15	.844	.851		.609	.0027		
-16	.969	.633		.734	.0020		
-17	.969	.851		.734	.0023		
-18	1.094 ↓	↓		.859	.0040		
-20	1.219 <sup>+0.000</sup> / <sub>-0.015</sub>	↓		.984	.0047		
-22	1.344	↓		1.109	.0051		
-24	1.469	.788		1.234	.0052		
-28	1.719 ↓	.788	↓	1.427	.0063		
-32	2.000 <sup>+0.000</sup> / <sub>-0.020</sub>	.726	34°	1.708	.0070		
-36	2.219	↓		1.895	.0066		
-40	2.469	↓		2.130			
-44	2.782 ↓	↓		2.400			

10-36298

REL.	30508-227	WAS	DATE	D'MAN	APPD.
1	31018-1	ADD: NOTE "FLASH PERMISSIBLE .015 MAX."	5-16-55	I.NILES	<i>[Signature]</i>
2	30525-314	REV COL A	9-16-55	JONES	<i>[Signature]</i>
3	31662-2	ADD D DIA FOR -10, RELOC C DIM, REV COL C	1-17-56	FGEORGE	<i>[Signature]</i>
4	33199-1	REV COL C	6-24-57	MUGGLIN	<i>[Signature]</i>
5	35525-881	ADD -44 AND DATA	8-31-59	FAIRCHILD	<i>[Signature]</i>
A	49525-85	(MFG); ADD. WT LB COL	11-8-69	Randall	<i>[Signature]</i>



USE OF THIS DOCUMENT IS UNLIMITED. DOCUMENTS REFERENCED HEREON CONTAIN LIMITED RIGHTS DATA.

- NOTES:
- PARTS TO BE TRANSPARENT TO TRANSLUCENT.
  - E.I. DUPONT DE NEMOURS & CO, INC ZYTEL 101.
  - ENGINEERING SOURCE APPROVAL REQUIRED.

MATERIAL SPEC. <b>NYLON</b> SEE NOTE 2		PROCESS SPEC.		SCINTILLA MAGNETO DIVISION BENDIX AVIATION CORPORATION SIDNEY, N. Y., U.S.A.				TOLERANCES UNLESS OTHERWISE SPECIFIED	
HEAT TREAT SPEC.		FINISH SPEC.						DECIMALS ± .010	
NAME				END BELL, POTTING, ELECTRICAL CONNECTOR				NEXT ASSEMBLY	
TOOL ACC								COM. REC 22387-6	
D'MAN				CHECKER		MAT		ST'DS	
CHERMAK				T. Lyons		EP		Bibean Reed	
9-16-54				2-23-55		1-6-55		2-25-55	
SCALE				NO SCALE		NO SCALE		NO SCALE	
SUPERSEDES				AND IS NOT INTERCHANGEABLE		REF			
SUPERSEDED BY				10-36298					