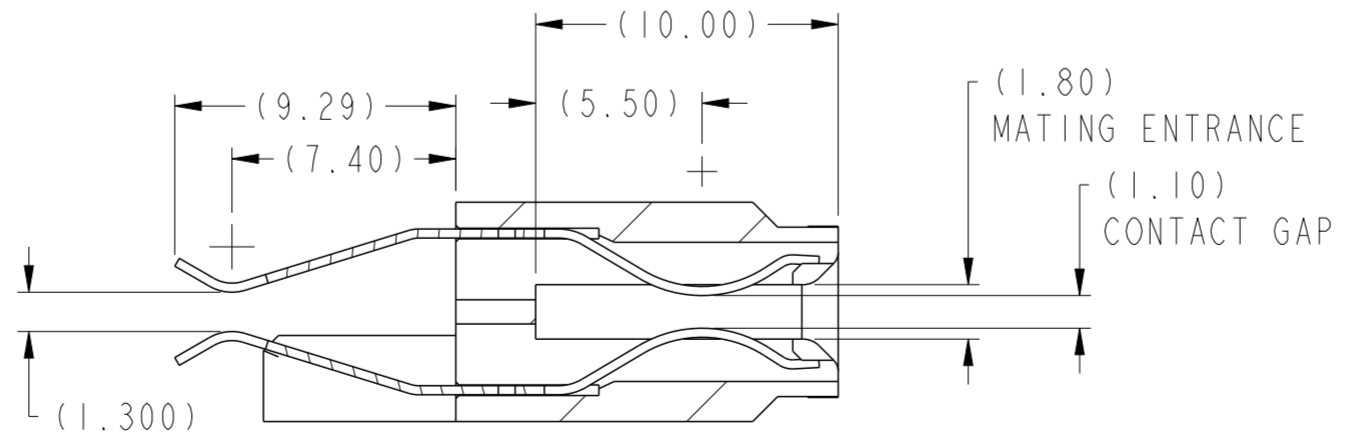


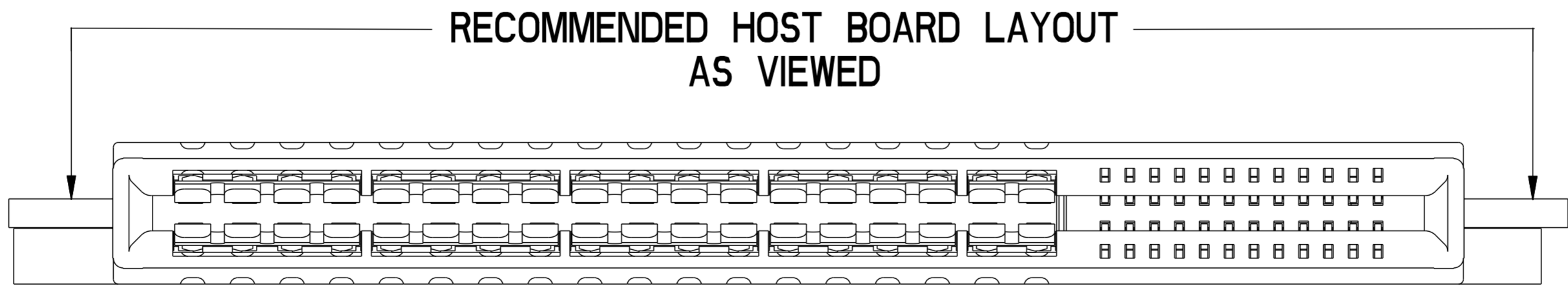
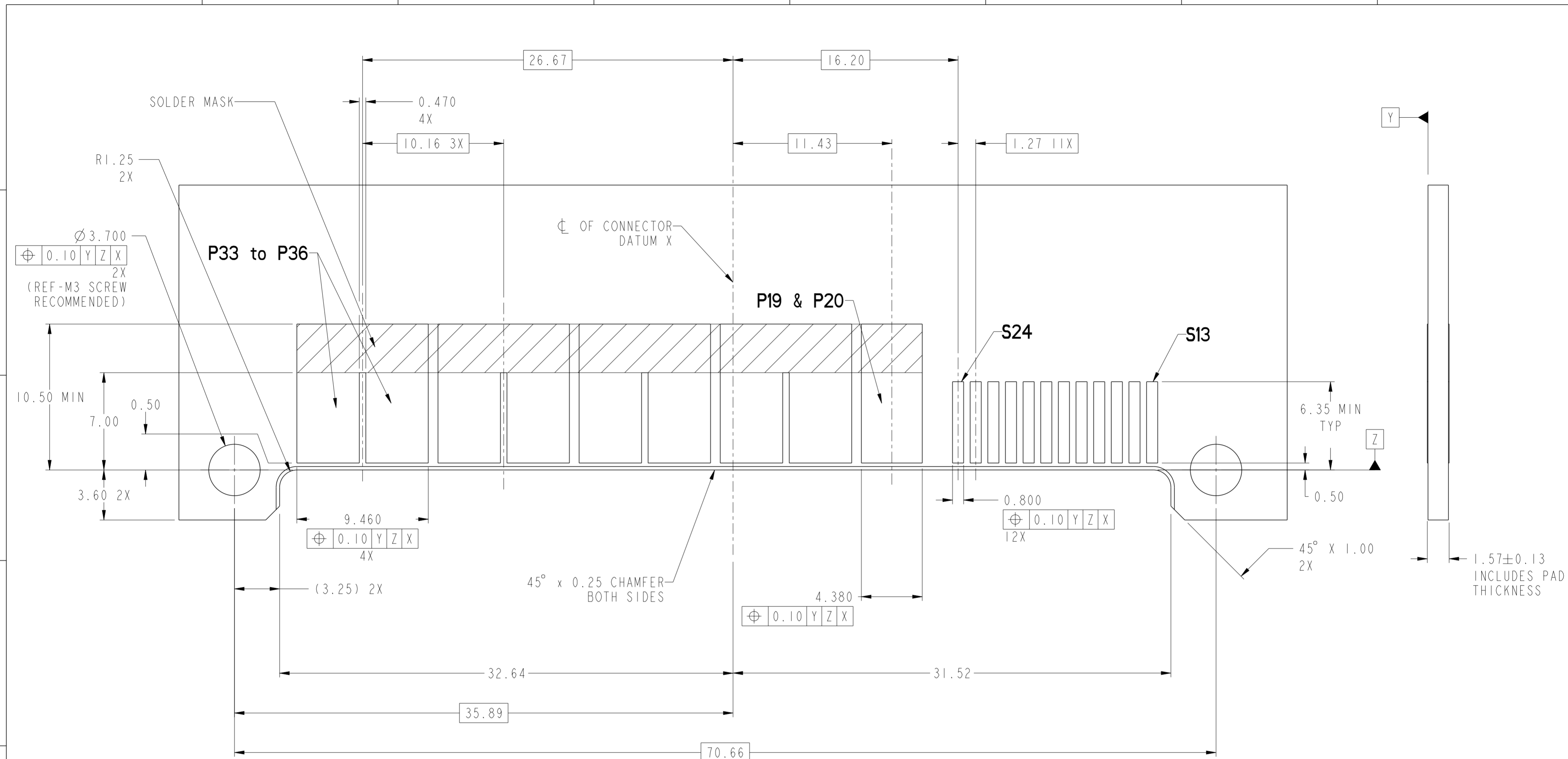
SECTION C-C



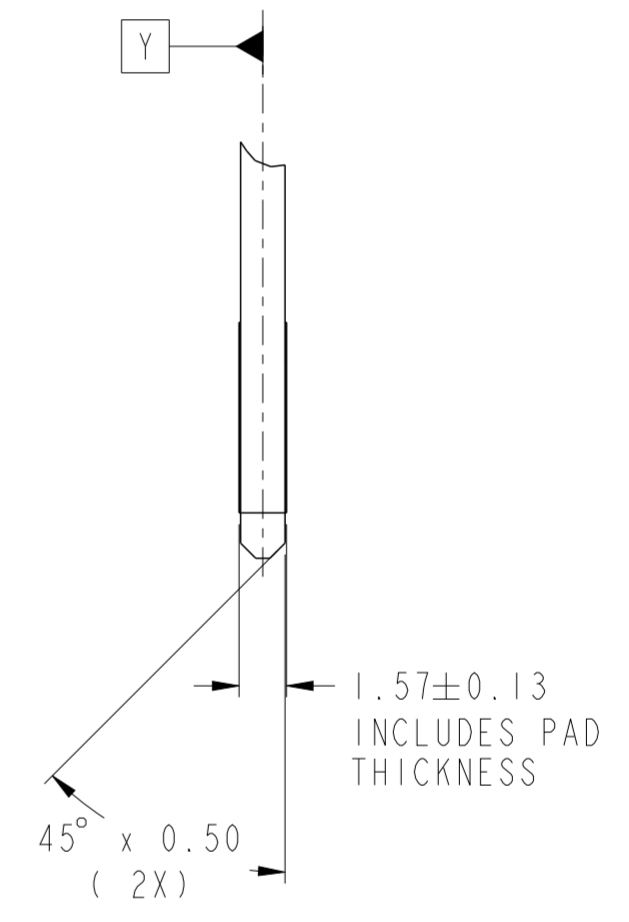
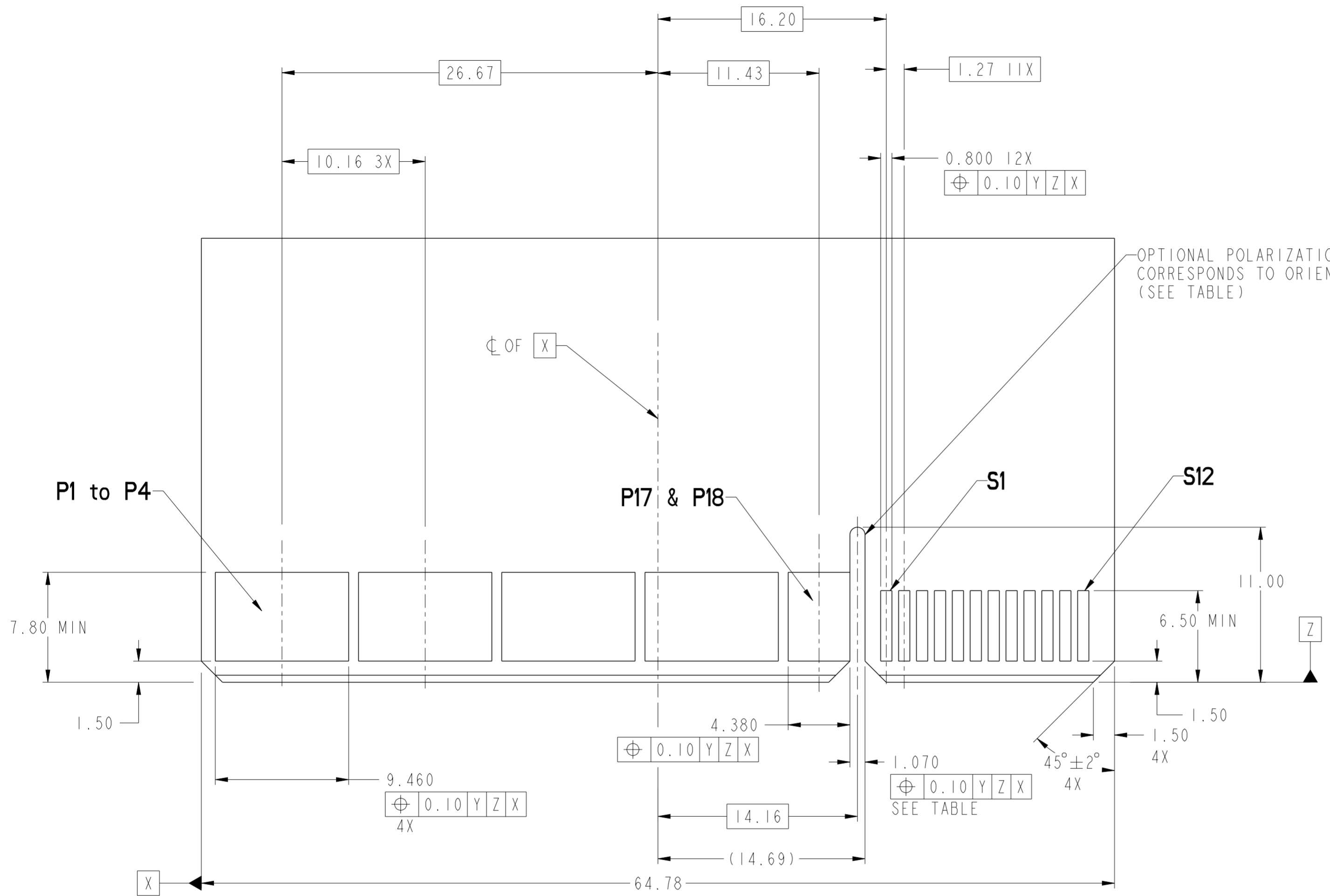
SECTION D-D

REV	ECN NO.	DR	DATE
A	---	Helen	2011-07-14
B	ELX-DG-008380-1	Helen	2011-12-01

spec ref	-	dr	Wei-Long Zhang	2011/05/04	projection	MM	size	A2	scale	4:1		
tolerance std	ASME Y14.5	eng	Hai-Ling Liu	2016/01/21			ecn no ELX-DG-23080-1	rel level Released	title HPCE-STRADDLE MT (36P-24S) (RECEPTACLE)	dwg no 10118139	rev C	
TOLERANCES UNLESS OTHERWISE SPECIFIED		chr	-	product family								CARD EDGE
surface	ASME Y14.5	linear	0.X ±0.3 0.XX ±0.1 0.XXX ±0.05	appr	Pai-Ming Zheng	2016/02/01	www.fci.com	cat. no.	-	PDS: Rev :C	STATUS:Released	Printed: Feb 01, 2016



dr	Wei-Long Zhang	2011/05/04	projection	MM	size	A2	scale	4:1	
eng	Hai-Ling Liu	2016/01/21			ecn no	ELX-DG-23080-1			
chr	-	-			rel level	Released			
appr	Pei-Ming Zheng	2016/02/01	product family	CARD EDGE					
			title	HPCE-STRADDLE MT (36P-24S)		dwg no	10118139		
www.fci.com			cat. no.	-		Product - Customer Drw	sheet 2 of 4	rev	C

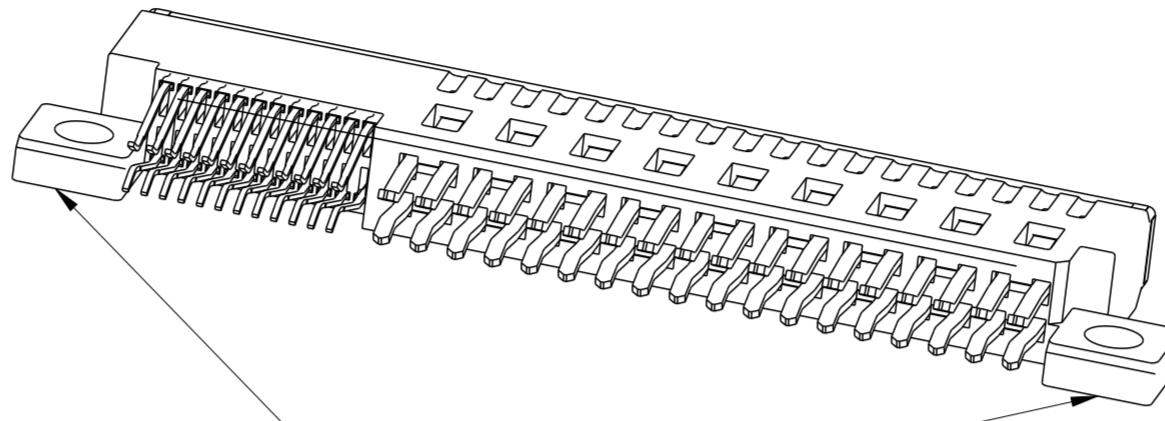


RECOMMENDED MATING BOARD FOOTPRINT

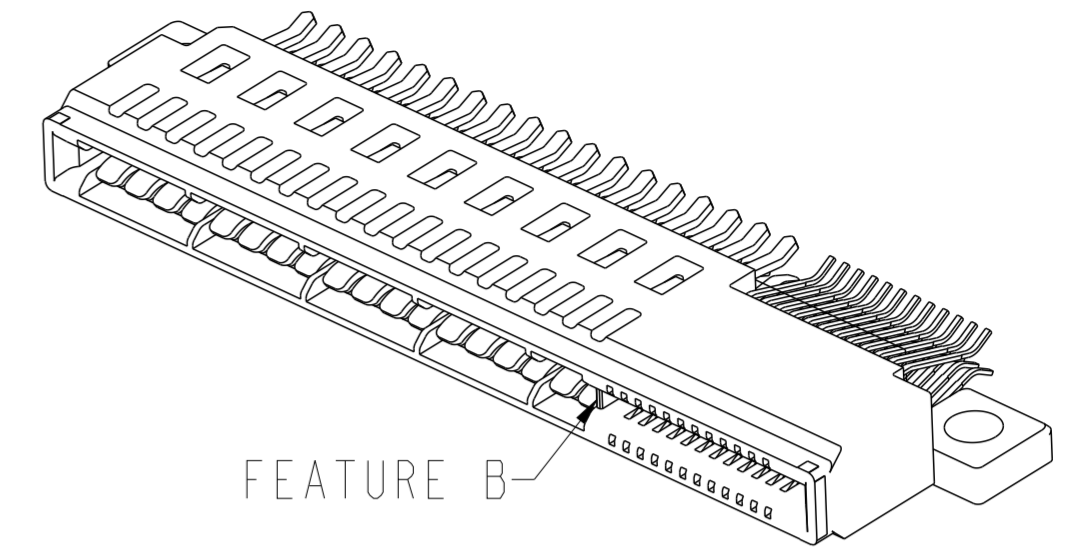
Copyright FCI.
FCI

dr	Wei-Long Zhang	2011/05/04	projection	MM	size	A2	scale	4:1
eng	Hai-Ling Liu	2016/01/21		MM	ecn no	ELX-DG-23080-1	rel level	Released
chr	-	-						
appr	Pei-Ming Zheng	2016/02/01	product family	CARD EDGE	rel level	Released		
			title	HPCE-STRADDLE MT (36P-24S)		dwg no	10118139	rev
www.fci.com			cat. no.	-	Product - Customer Drw	sheet 3 of 4		C

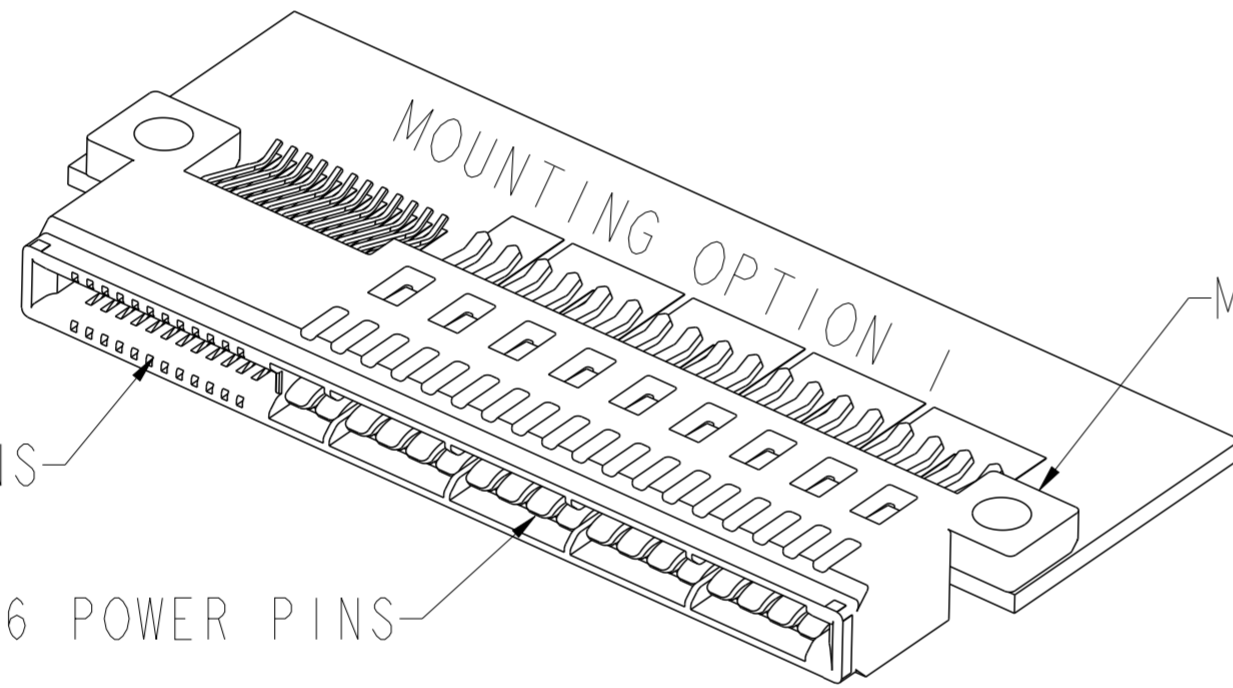
PART NUMBER	FEATURE A MOUNTING EARS	FEATURE B FRONT POLARIZATION KEY
10118139-001LF	YES	NO
10118139-002LF	YES	YES
10118139-003LF	NO	NO
10118139-004LF	NO	YES



FEATURE A



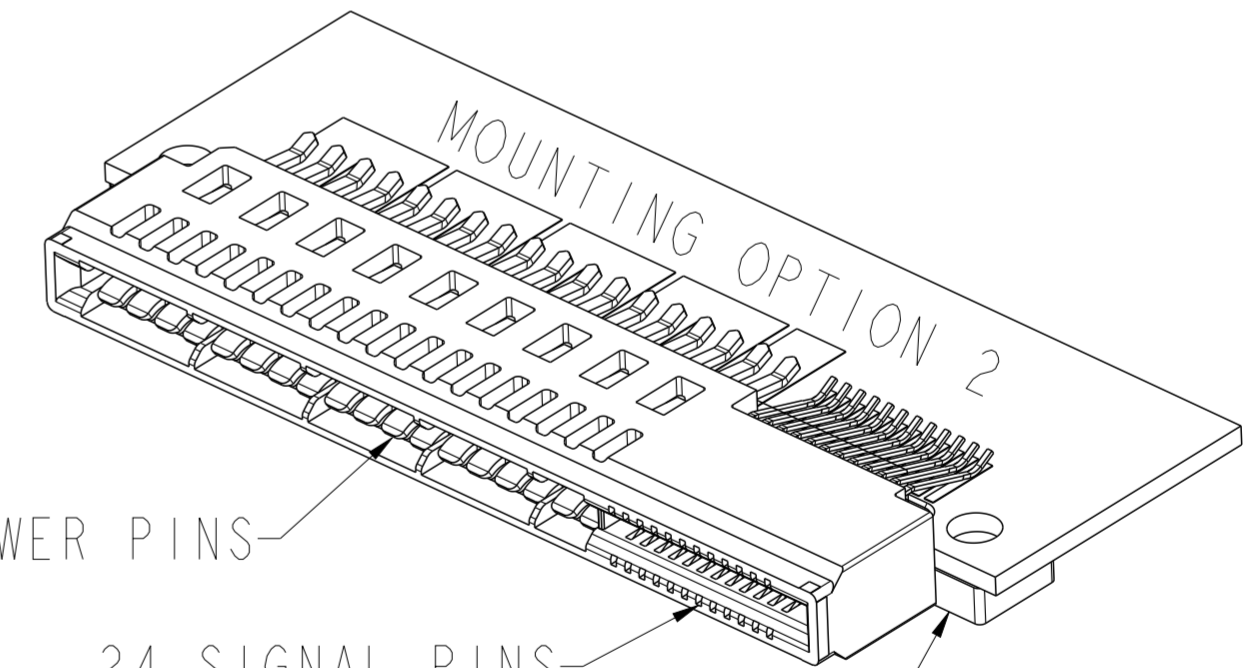
FEATURE B



MOUNTING EARS ARE UP

24 SIGNAL PINS

36 POWER PINS



24 SIGNAL PINS

36 POWER PINS

MOUNTING EARS ARE DOWN

NOTES:

- CONNECTOR MATERIALS:
 HOUSING: HIGH TEMPERATURE THERMAL PLASTIC, BLACK
 UL 94V-0 COMPLIANT
 CONTACTS: HIGH PERFORMANCE COPPER ALLOY.
- CONTACT FINISH REF. GS-12-604 SECTION 5.2.
- PRODUCT SPECIFICATION: GS-12-604.
- APPLICATION SPECIFICATION: GS-20-128.
- PRODUCT MARKING (FCI - PART NUMBER & DATE CODE) ON HOUSING IN AREA SHOWN.
- PACKAGING MEETS FCI SPECIFICATION GS-14-937.
- HOUSING COMPONENT WILL WITHSTAND EXPOSURE TO 260°C PEAK TEMPERATURE FOR 60 SECONDS IN A CONVECTION, INFRA-RED, OR VAPOR PHASE REFLOW OVEN.

dr	Wei-Long Zhang	2011/05/04	projection	MM	size	A2	scale	4:1	
eng	Hai-Ling Liu	2016/01/21			ecn no	ELX-DG-23080-1			
chr	-	-			rel level	Released			
appr	Pei-Ming Zheng	2016/02/01	product family	CARD EDGE	rel level	Released			
		title	HPCE-STRADDLE MT (36P-24S) (RECEPTACLE)		dwg no	10118139		rev	C
www.fci.com		cat. no.	-		Product - Customer Drw		sheet 4 of 4		