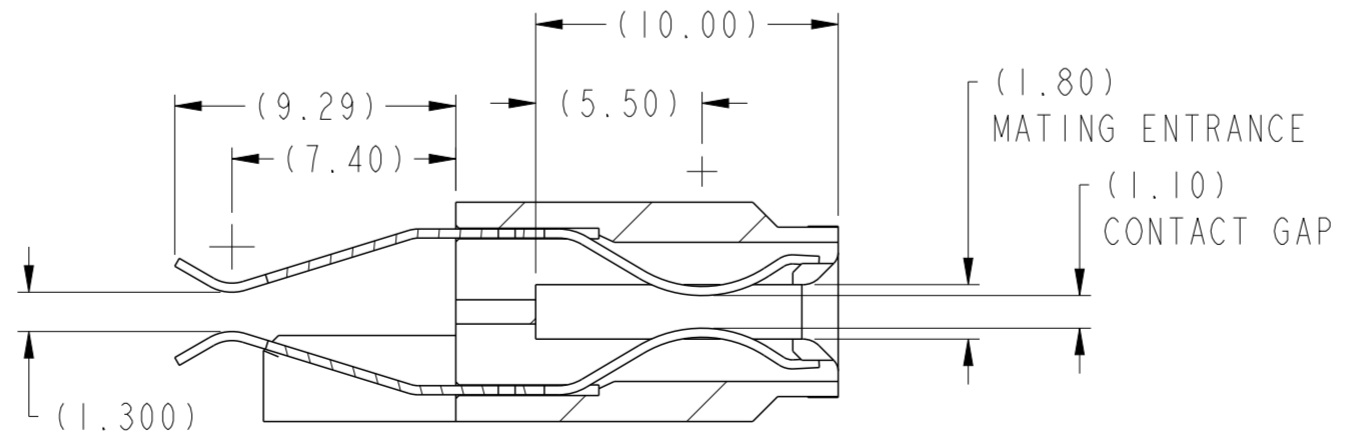


SECTION C-C



SECTION D-D

REV	ECN NO.	DR	DATE
A	---	Helen	2011-07-14
B	ELX-DG-008380-1	Helen	2011-12-01

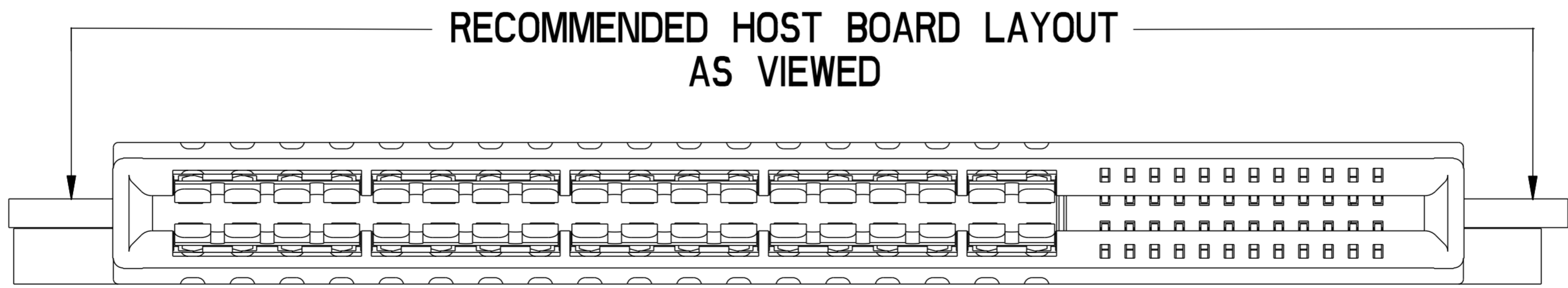
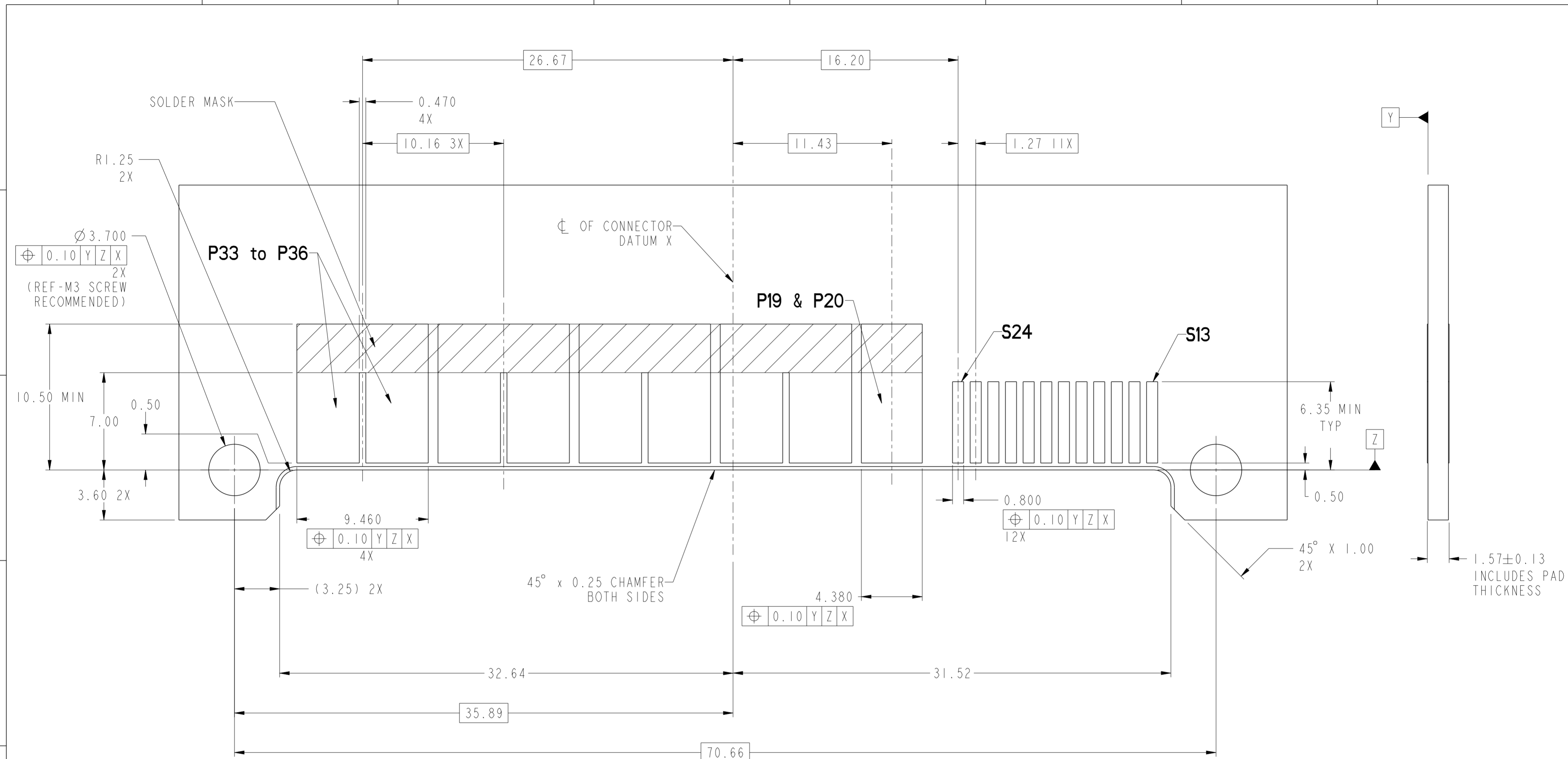
spec ref	-	dr	Wei-Long Zhang	2011/05/04	projection	MM	size	A2	scale	4:1	
tolerance std	ASME Y14.5	eng	Hai-Ling Liu	2016/01/21	chr	-	ecn no	ELX-DG-23080-1	rel level	Released	
surface	✓	appr	Pei-Ming Zheng	2016/02/01	product family	CARD EDGE	title	HPCE-STRADDLE MT (36P-24S) (RECEPTACLE)	dwg no	10118139	
ASME Y14.5	linear	0.X	±0.3	0.XX	±0.1	0.XXX	±0.05	angular	0°	±°	
www.fci.com		cat. no.		-		Product - Customer Drw		sheet 1 of 4		rev	C

PDS: Rev :C

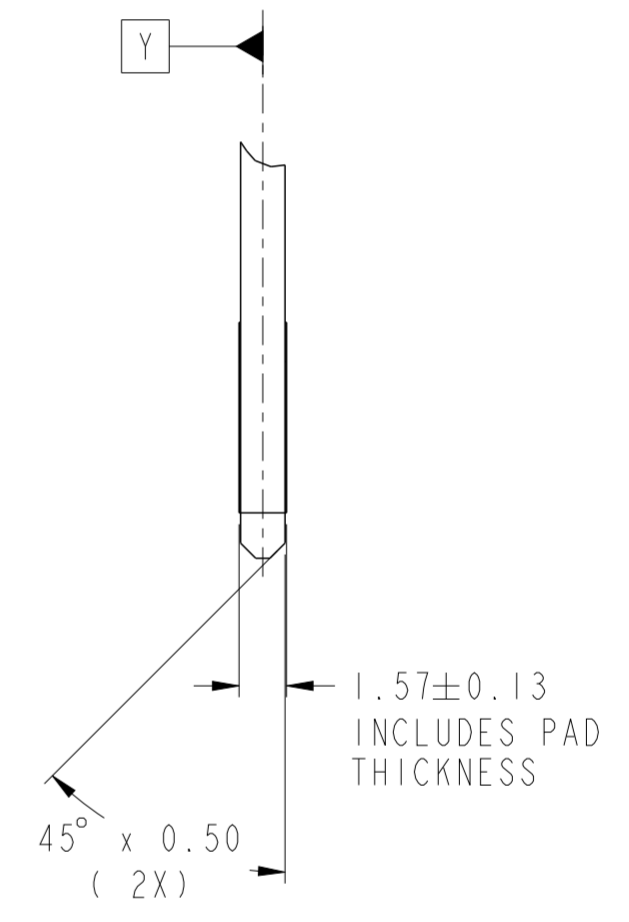
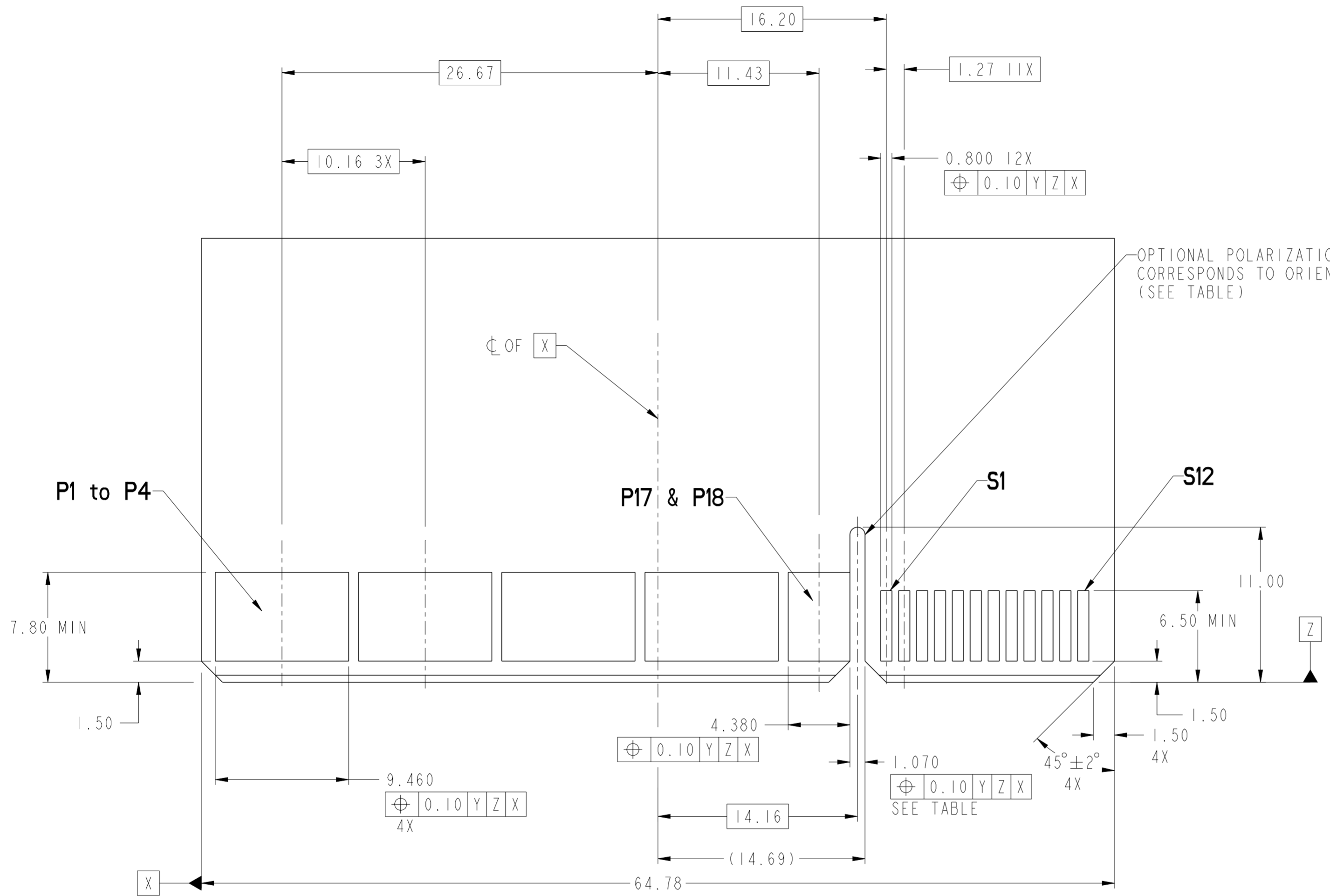
STATUS:Released

Printed: Feb 01, 2016

Copyright FCI. FCI



dr	Wei-Long Zhang	2011/05/04	projection	MM	size	A2	scale	4:1	
eng	Hai-Ling Liu	2016/01/21			ecn no	ELX-DG-23080-1			
chr	-	-			rel level	Released			
appr	Pei-Ming Zheng	2016/02/01	product family	CARD EDGE					
			title	HPCE-STRADDLE MT (36P-24S)		dwg no	10118139		
www.fci.com			cat. no.	-		Product - Customer Drw	sheet 2 of 4	rev	C

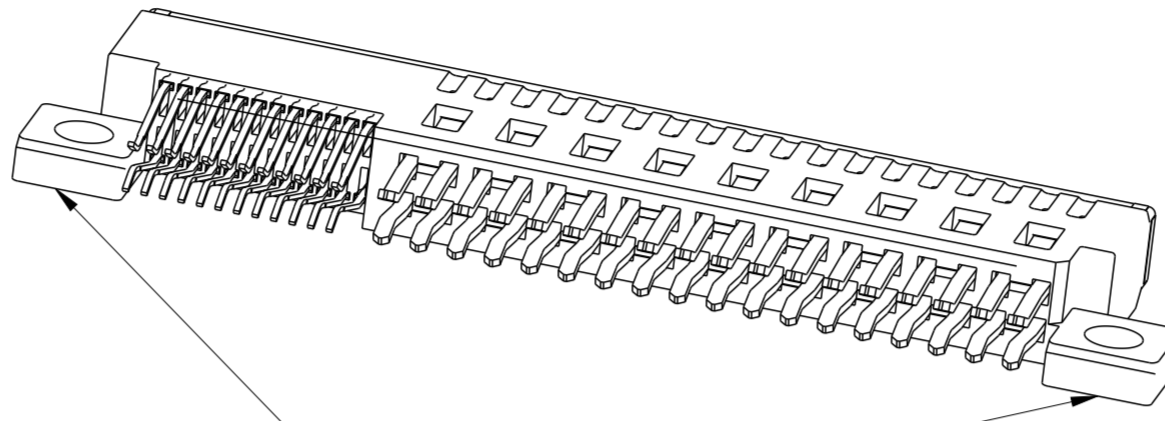


**RECOMMENDED MATING BOARD FOOTPRINT**

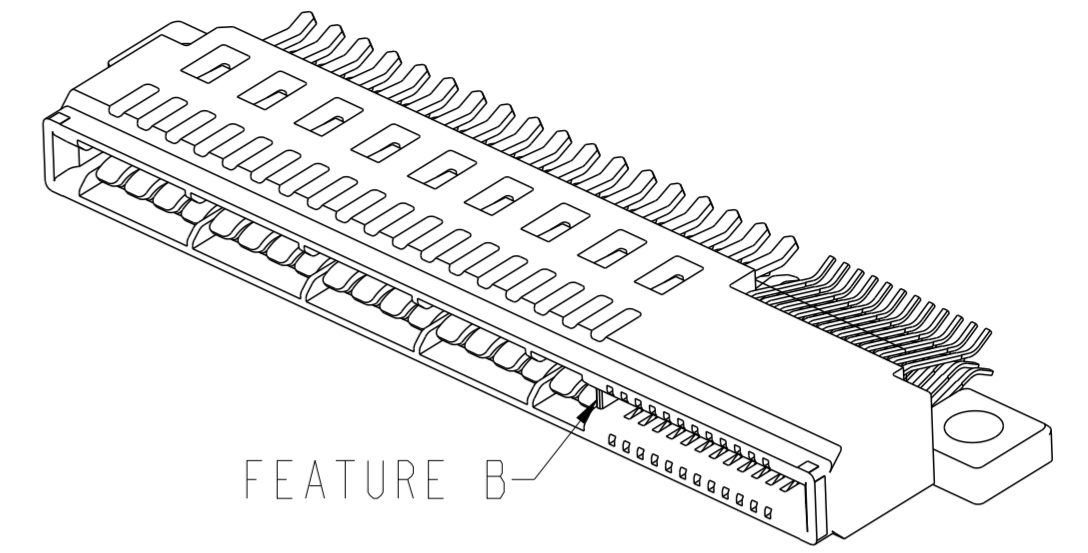
Copyright FCI.  
FCI

dr	Wei-Long Zhang	2011/05/04	projection	MM	size	A2	scale	4:1
eng	Hai-Ling Liu	2016/01/21		MM	ecn no	ELX-DG-23080-1	rel level	Released
chr	-	-						
appr	Pei-Ming Zheng	2016/02/01	product family	CARD EDGE	rel level	Released		
			title	HPCE-STRADDLE MT (36P-24S) (RECEPTACLE)	dwg no	10118139	rev	C
www.fci.com			cat. no.	-	Product - Customer Drw	sheet 3 of 4		

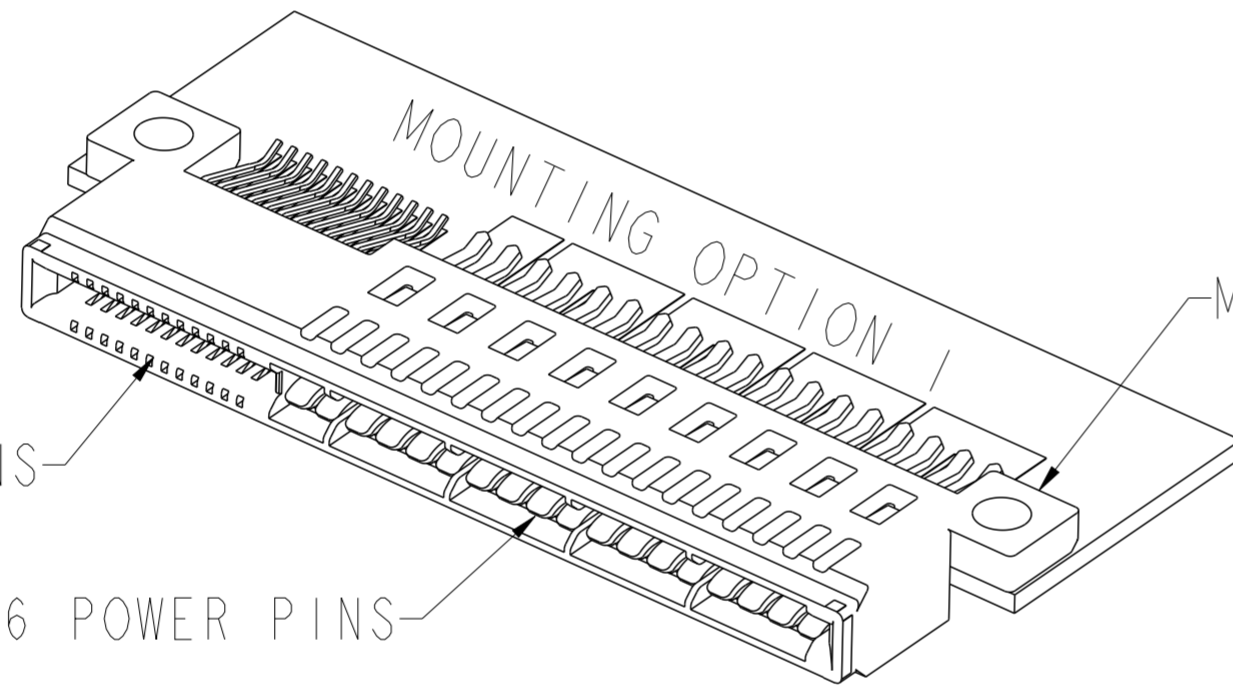
PART NUMBER	FEATURE A MOUNTING EARS	FEATURE B FRONT POLARIZATION KEY
10118139-001LF	YES	NO
10118139-002LF	YES	YES
10118139-003LF	NO	NO
10118139-004LF	NO	YES



FEATURE A



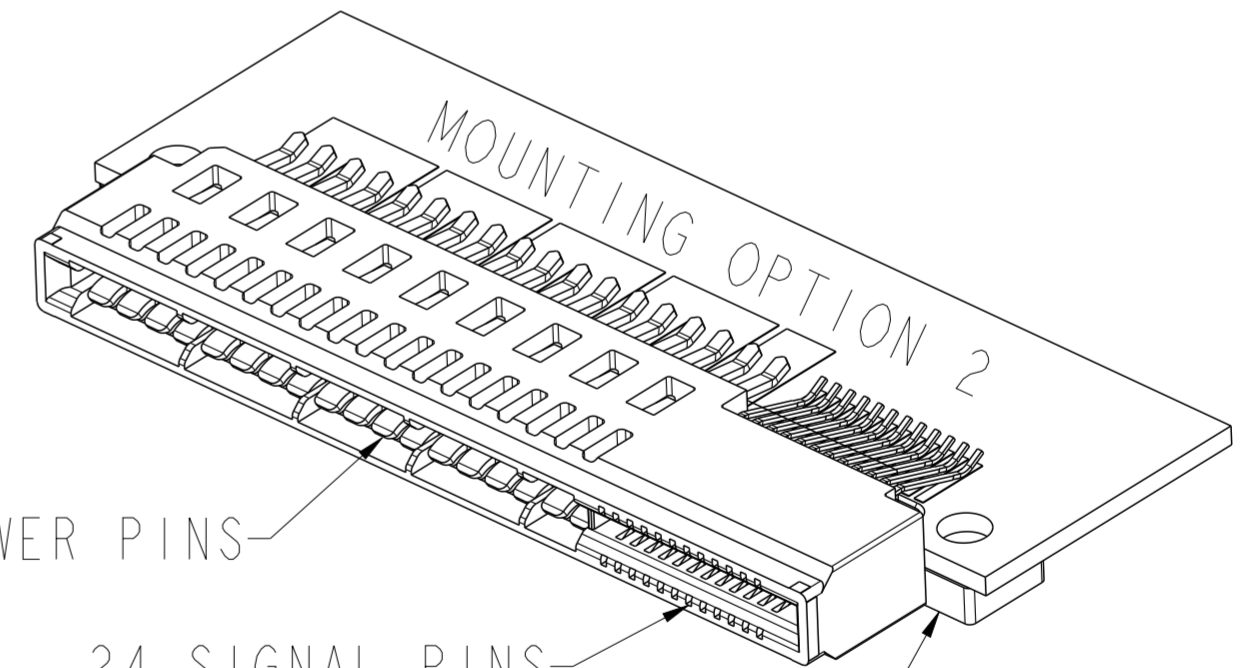
FEATURE B



MOUNTING EARS ARE UP

24 SIGNAL PINS

36 POWER PINS



24 SIGNAL PINS

36 POWER PINS

MOUNTING EARS ARE DOWN

NOTES:

- CONNECTOR MATERIALS:  
 HOUSING: HIGH TEMPERATURE THERMAL PLASTIC, BLACK  
 UL 94V-0 COMPLIANT  
 CONTACTS: HIGH PERFORMANCE COPPER ALLOY.
- CONTACT FINISH REF. GS-12-604 SECTION 5.2.
- PRODUCT SPECIFICATION: GS-12-604.
- APPLICATION SPECIFICATION: GS-20-128.
- PRODUCT MARKING (FCI - PART NUMBER & DATE CODE) ON HOUSING IN AREA SHOWN.
- PACKAGING MEETS FCI SPECIFICATION GS-14-937.
- HOUSING COMPONENT WILL WITHSTAND EXPOSURE TO 260°C PEAK TEMPERATURE FOR 60 SECONDS IN A CONVECTION, INFRA-RED, OR VAPOR PHASE REFLOW OVEN.

dr	Wei-Long Zhang	2011/05/04	projection	MM	size	A2	scale	4:1	
eng	Hai-Ling Liu	2016/01/21			ecn no	ELX-DG-23080-1			
chr	-	-			rel level	Released			
appr	Pei-Ming Zheng	2016/02/01	product family	CARD EDGE	rel level	Released			
		title	HPCE-STRADDLE MT (36P-24S)		dwg no	10118139		rev	C
www.fci.com		cat. no.	-		Product - Customer Drw	sheet 4 of 4			