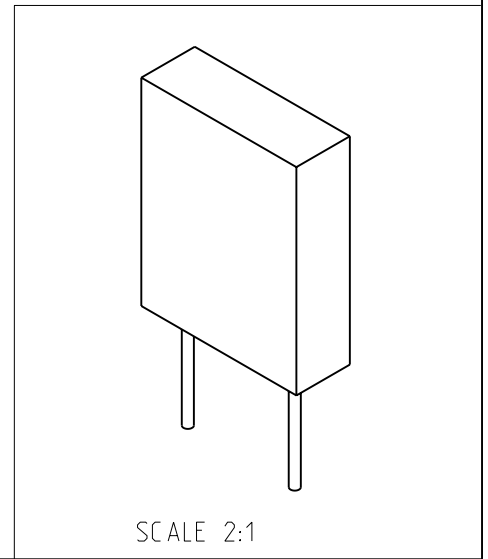
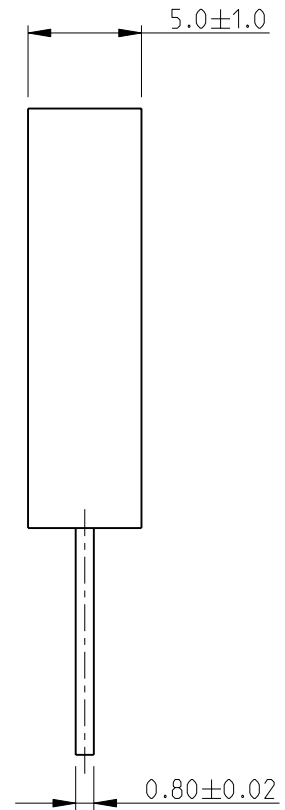
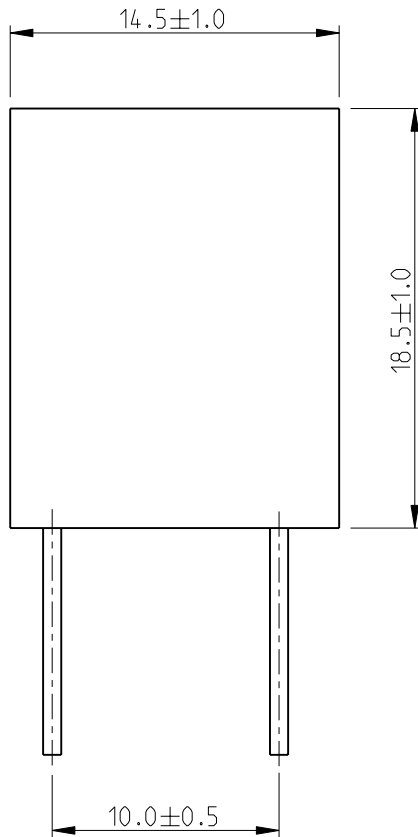


LOC	DIST	REVISIONS			
P	LTR	DESCRIPTION	DATE	DWN	APVD
E	B	A	NEW RELEASE	17-SEP-09	MRS St.P



2009

RELEASED FOR PUBLICATION

THIS DRAWING IS UNPUBLISHED.

© COPYRIGHT 2009 BY TYCO ELECTRONICS CORPORATION. ALL RIGHTS RESERVED.

DIMENSIONS: mm	DWN MAHARUDRA	17-SEP-09	MATERIAL	-	FINISH	-	
	CHK ALLAN.P	17-SEP-09	Tyco Electronics Corporation Dorcan, Swindon, SN3 5HH				
TOLERANCES UNLESS OTHERWISE SPECIFIED:	APVD STEPHEN.P	17-SEP-09					
	0 PLC ±0.2	PRODUCT SPEC	NAME LOW OHM SHUNT HPR 5R(S)				
1 PLC ±0.1	-						
2 PLC ±-	APPLICATION SPEC	SIZE	CAGE CODE	DRAWING NO	RESTRICTED TO		
3 PLC ±-	-	A 4	00779	C-1625811	-		
4 PLC ±-	WEIGHT	CUSTOMER DRAWING				SCALE	3:1
ANGLES ±5°	-	SCALE 3:1				SHEET	1 OF 1
		SCALE 3:1				REV	A