

TECHNICAL CHARACTERISTICS

MATERIAL
 INSULATOR: LCP
 FLAMABILITY RATING: UL94-V0
 COLOR: BLACK
 CONTACT MATERIAL: COPPER ALLOY
 CONTACT TYPE: STAMPED
 CONTACT PLATING: GOLD
 SHIELDING: STAINLESS STEEL
 QUALITY CLASS: 10000 MATING CYCLES

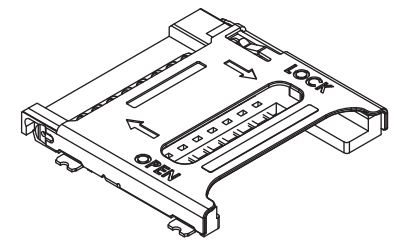
ENVIRONMENTAL
 OPERATING TEMPERATURE: -25 UP TO 85°C
 COMPLIANCE: LEAD FREE AND ROHS

ELECTRICAL
 CURRENT RATING: 0.5A
 WORKING VOLTAGE: 100VAC
 INSULATOR RESISTANCE: >1000 MOHM
 DIELECTRIC WITHSTANDING VOLTAGE: 500VAC/MN
 CONTACT RESISTANCE: 100 MOHM MAX

SOLDERING
 REFLOW PROCESS ONLY

PACKAGING
 TAPE & REEL

PIN No	NAME	DESCRIPTION
1	DAT2	Connector data line 2
2	CD/DAT3	CARD DETECTION
3	CMD	COMMAND/ANSWER
4	Vdd	VOLTAGE
5	CLK	CLOCK
6	Vss	GND
7	DAT0	Connector data line 0
8	DAT1	Connector data line 1



RoHS Compliant			
D	23-JUL-12	DIMENSION	QL
C	27-MAR-12	PINNING	QL
B	12-FEB-16	TKP	GG
A	11-AUG-31	PDF	GG
REV	DATE	FILE	BY

PROJECTION:	GENERAL TOLERANCE
	.X = +/- 0.2
APPROVAL: RJ	.XX = +/- 0.15
	UNIT: MM
	SCALE:
	SHEET: 1/2
	DRAW: VICKY

	DESCRIPTION: Micro SD Card Connector - Hinge - 8 pins
	WERI PART NO: 693 072 010 801

SIZE	D
A4	

1

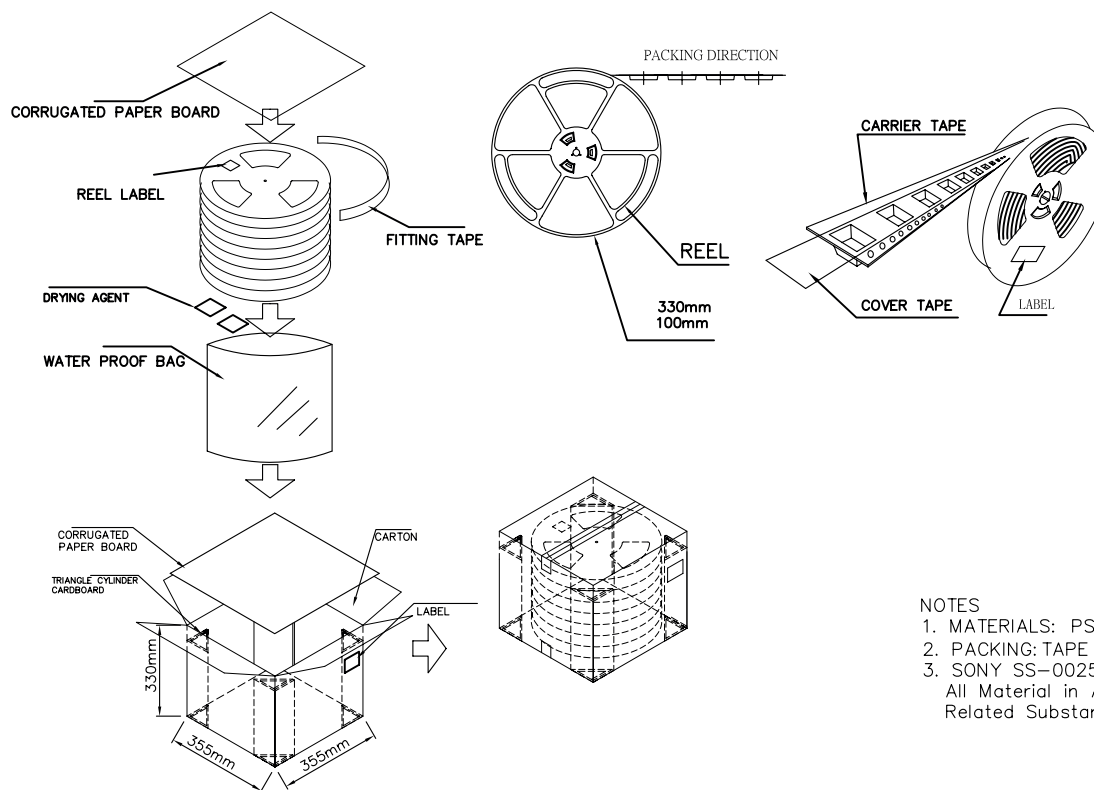
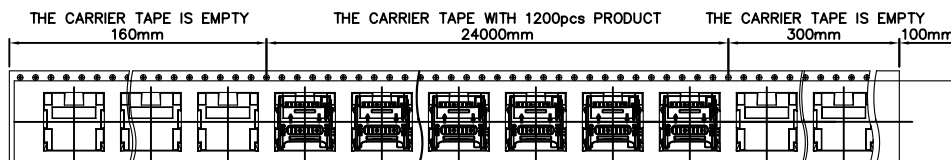
2

3

4

5

PACKING DIRECTION

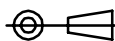


NOTES

1. MATERIALS: PS
 2. PACKING: TAPE REEL(1200PCS/REEL ,10800PCS/CARTON)
 3. SONY SS-00259 or RoHS
- All Material in According With The Rohs Environment Related Substances List Controlled.

RoHS Compliant

PROJECTION:



GENERAL TOLERANCE

.X = \pm 0.2.XX = \pm 0.15

APPROVAL: RJ

UNIT: MM

SCALE:

SHEET: 2/2

DRAW: VICKY

DESCRIPTION: Micro SD Card Connector - Hinge - 8 pins

WERI PART NO: 693 072 010 801

SIZE

A4

REV

DATE

FILE

BY