

4

3

2

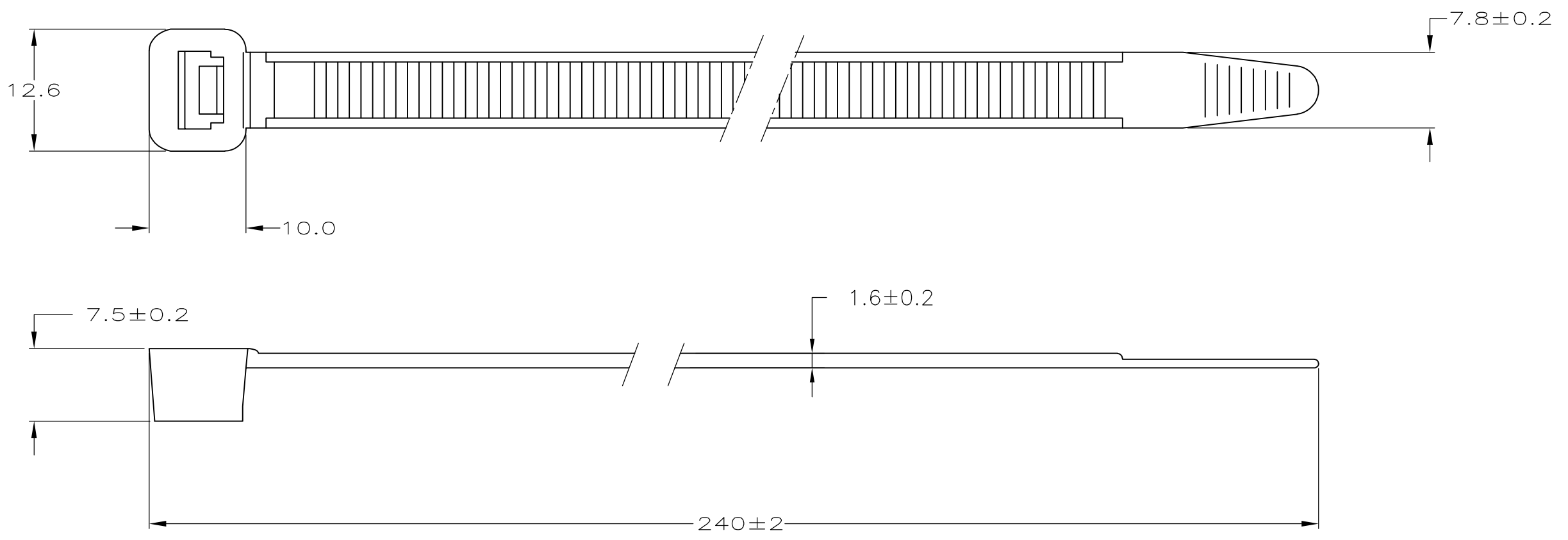
1

THIS DRAWING IS UNPUBLISHED. RELEASED FOR PUBLICATION  
 © COPYRIGHT - By - ALL RIGHTS RESERVED.

LOC	DIST	REVISIONS			
P	LTR	DESCRIPTION	DATE	DWN	APVD
H	-	C	VENDOR CHANGE; DIMENSION CHANGE ROLL BACK	30DEC2012	SP RP

NOTES:

- 1 RANGE:  $\phi 63$  MAX.
- 2 MIN. TENSILE STRENGTH 550N.
- $\triangle 3$  OBSOLETE



100	BLACK	POLYAMIDE 6.6	2-160981-2
100	NATURAL	POLYAMIDE 6.6	$\triangle 3$ 2-160981-1
QTY	FINISH	MATERIAL	PART NUMBER

THIS DRAWING IS A CONTROLLED DOCUMENT.		DWN	J.V.D.HEIJDEN.	27-02-92	<b>STE</b> TE Connectivity															
DIMENSIONS: mm		CHK	R.VOS.	-					NAME											
TOLERANCES UNLESS OTHERWISE SPECIFIED:		APVD	L.V.SOEST.	-	CABLE TY.															
<table border="1"> <tr><td>0 PLC</td><td>± -</td></tr> <tr><td>1 PLC</td><td>± 0.4</td></tr> <tr><td>2 PLC</td><td>± -</td></tr> <tr><td>3 PLC</td><td>± -</td></tr> <tr><td>4 PLC</td><td>± -</td></tr> <tr><td>ANGLES</td><td>± -</td></tr> </table>		0 PLC	± -	1 PLC	± 0.4	2 PLC	± -	3 PLC	± -	4 PLC	± -	ANGLES	± -	PRODUCT SPEC		-		RESTRICTED TO		-
0 PLC	± -																			
1 PLC	± 0.4																			
2 PLC	± -																			
3 PLC	± -																			
4 PLC	± -																			
ANGLES	± -																			
MATERIAL SEE TABLE		FINISH SEE TABLE		APPLICATION SPEC		SIZE		A3												
		WEIGHT		-		CAGE CODE		00779												
		CUSTOMER DRAWING		DRAWING NO		SCALE		NTS												
				SHEET		1 OF 1		REV												
								C												