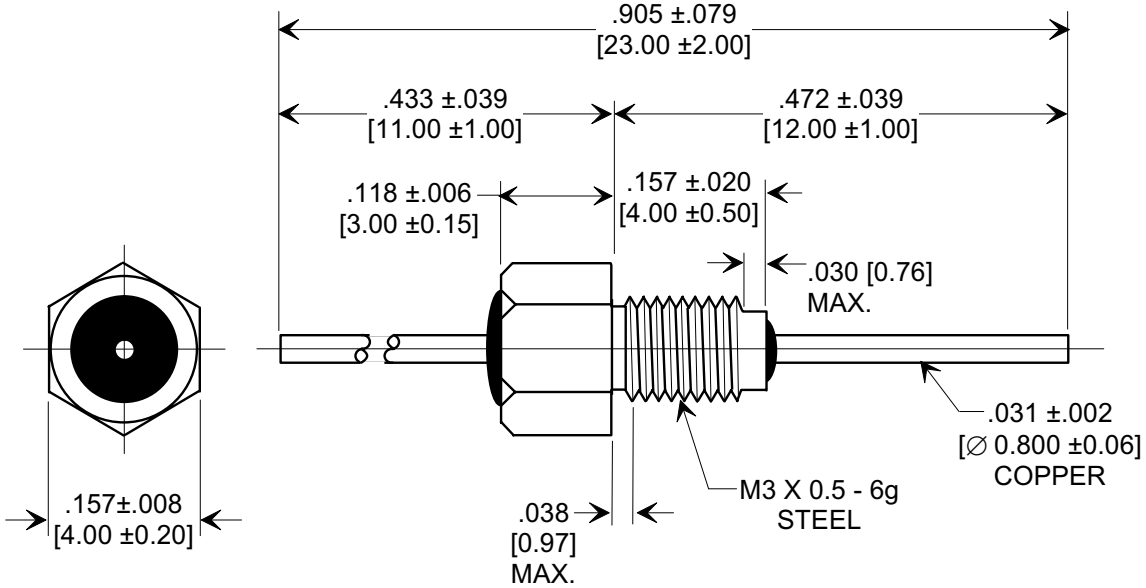
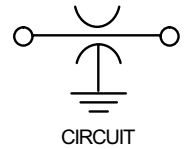
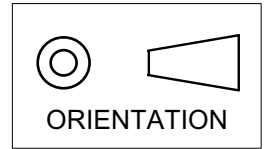
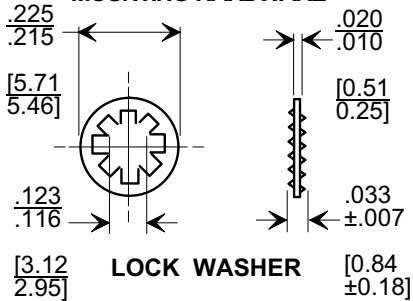


MARKETING SALES DRAWING
DIMENSIONS IN INCHES - DO NOT SCALE THIS DRAWING
DIMENSIONS IN METRIC []

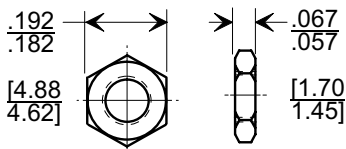
Electrical Testing
per Tusonix standard
test plans and Mil-Std-202
Test Methods.



MOUNTING HARDWARE



LOCK WASHER



HEX NUT

NOTES:

- TUSONIX STANDARD PART NUMBER: 4400-093.
TUSONIX RoHS COMPLIANT PART NUMBER: 4400-093 LF.
CUSTOMER MUST SPECIFY STANDARD OR RoHS PART NUMBER WHEN ORDERING.
- MATERIAL: BUSHING; SILVER PLATED. LEAD; SILVER PLATED.
- PART MARKING: TRADEMARK AND VARIATION NUMBER ON HEX FLATS. STANDARD PART: BLACK INK. RoHS PART: GREEN INK.
- OPERATING TEMP. RANGE: -55°C TO +125°C.
- MAX. RECOMMENDED SOLDERING TEMPERATURE : 260° C.
- SUPPLIED WITH SILVER PLATED INTERNAL TOOTH LOCK WASHER.
- MAX. RECOMMENDED MOUNTING TORQUE : 2.0 Lb. in. [.226 Nm.].

CAP.(pf)	TOLERANCE	DC WORKING VOLTAGE		DC CURRENT (AMPS)	I.R. MIN. @ 100 (VDC)	DWV (VDC)	MIN. NO LOAD INSERTION LOSS (db) @ 25°C PER MIL-STD-220				
		85°C	125 °C				1 MHz	10 MHz	100 MHz	1 GHz	10 GHz
10,000	GMV	70	50	10	10 G Ω	150	4	21	35	50	60

X-2015 Rev-0

REVISION RECORD			
Original Release	0		
C.O. 19991013-1-01			
ADDED HEX NUT (2) PLCS. S.M. 01-07-00			
20000104-1-01	1		
ORIENTATION SYMBOL ADDED GMV WAS +80%/-20% DWV(VDC) 500 DELETED L.E. 04-13-00			
20000410-2-02	2		
ADDED IR & DWV, ADDED & REVISED NOTES. S.M.12-01-05			
20051128-1-13	3		

--TOLERANCES-- Unless Otherwise Specified		Title BUSHING STYLE EMI FILTER	
DECIMAL ± NOTED		Drawn	S.M. 10-14-99
ANGLES ±		Approved	E.F. 10-14-99
 TUCSON, ARIZONA		A	4400-093
			Scale 5 X