

NOTES:

1. MATERIALS AND FINISHES:  
 BODY & COUPLING NUT - BRASS, SILVER PLATING  
 CONTACT - BRASS, GOLD PLATING  
 OUTER CONTACT - BeCu, SILVER PLATING  
 INSULATOR - PTFE
2. ELECTRICAL:  
 A. IMPEDANCE: 50 OHM
3. PACKAGING:  
 A. QUANTITY: SINGLE PACK  
 B. MARKING: BAG TO BE MARKED  
 "AMPHENOL RF, 82-4450, AND DATE CODE"  
 C. CONTACT & FERRULE SHIPPED LOOSE.

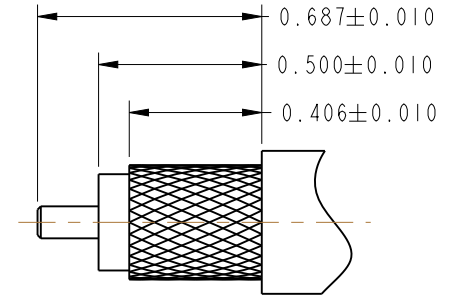
4. SHOWS CABLE ENTRY DIMENSIONS.

5. CRIMP WITH AMPHENOL CRIMP TOOL 227-944(M22520/5-01) AND DIE SET 227-1221-25 CAVITY B (M22520/5-25 CLOSURE B).
6. CRIMP WITH AMPHENOL CRIMP TOOL 227-944(M22520/5-01) AND DIE SET 227-1221-25 CAVITY A (M22520/5-25 CLOSURE A).
7. MATING FACE DIMENSIONS MUST CONFORM TO MIL-STD-348, SECTION 309.1.

THIRD ANGLE PROJ.

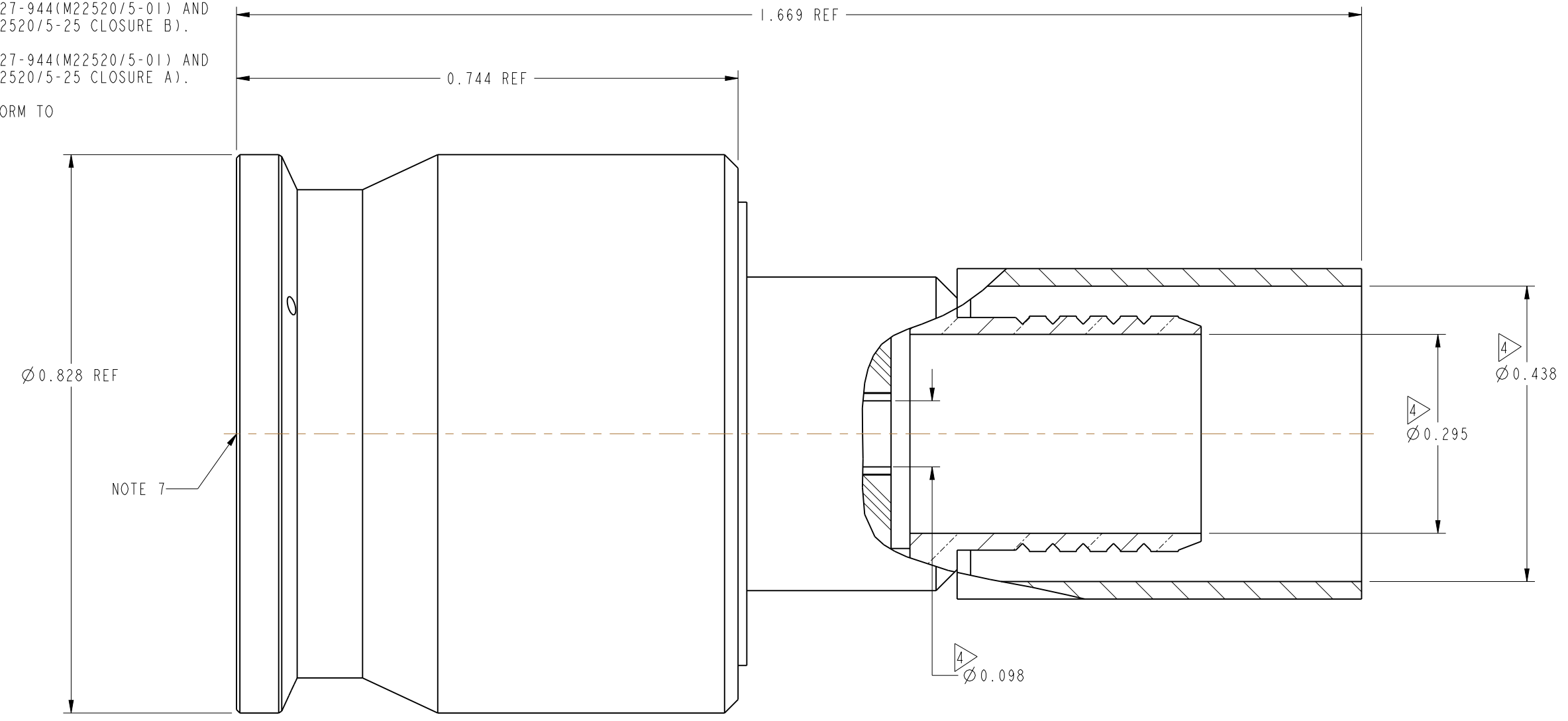
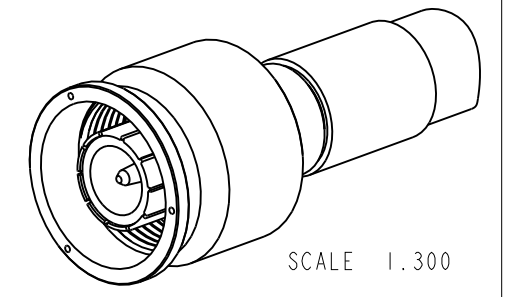
REVISIONS

REV	DESCRIPTION	DATE	ECO	APPR
--	RELEASE TO MFG.	----	----	----
T	REDRAWN IN PRO E & COD SHEET ADDED	10/1/12	49251	RAK



**RECOMMENDED CABLE STRIPPING DIMENSIONS**

**MIL-C-39012 INSPECTION**



**THIS CONNECTOR IS COVERED BY U.S. PATENT 3,439,294 & 3,474,391**

**CUSTOMER OUTLINE DRAWING**  
 ALL OTHER SHEETS ARE FOR INTERNAL USE ONLY

UNLESS OTHERWISE SPECIFIED, DIMENSIONS ARE IN INCHES AND TOLERANCES ARE: 2 PLACE DECIMAL 3 PLACE DECIMAL ANGLES ±.015 (0,381 mm) ±.005 (0,127 mm) ± 1°	MATERIAL	DRAWN	DATE	TITLE TYPE SC PLUG, MIL-CRIMP (CATEGORY D) FOR RG-9, 214, 223 & 393/U CABLES		Amphenol RF www.amphenolrf.com	
	SEE NOTES	ABHAYA KISHORE	05-Sep-12				
	REFERENCE	ENGINEER	DATE	SCALE: 5.3:1.0 SHEET 2 OF 2		DRAWING NO.82-4450	
	MIL-C-39012/35-0301	K.CAPOZZI	05-Sep-12				
NOTICE - These drawings, specifications, or other data (1) are, and remain the property of Amphenol corp. (2) must be returned upon request; and (3) are confidential and not to be disclosed to any person other than those to whom they are given by Amphenol Corp. the furnishing of these drawings, specifications, or other data by Amphenol Corp., or to any other person to anyone for any purpose is not to be regarded by implication or otherwise in any manner licensing, granting rights to permitting such holder or any other person to manufacture, use or sell any product, process or design, patented or otherwise, that may in any way be related to or disclosed by said drawings, specifications, or other data.	CONFIGURATION LEVEL: In Work	APPROVED	DATE	DWG SIZE B		REV T	
FINISH		K. CAPOZZI	9/19/12				
						PART NO.82-4450	