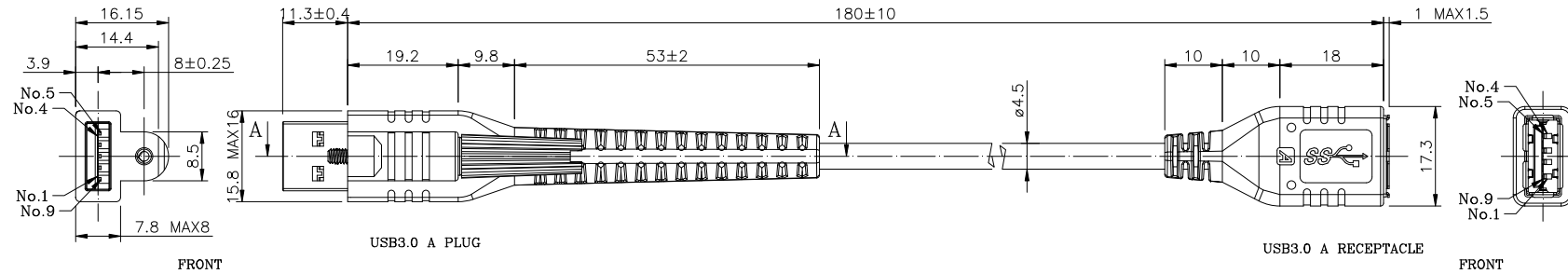
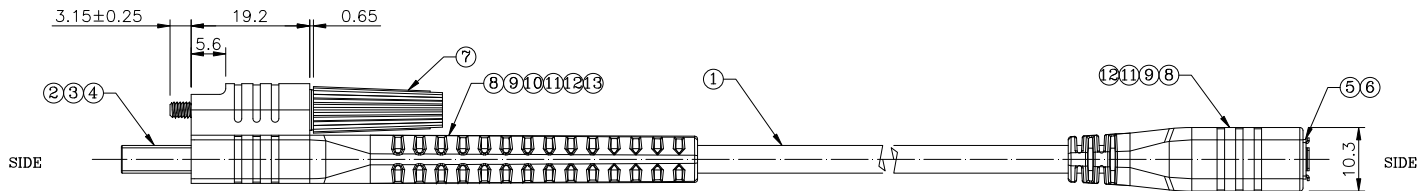


PRODUCT NUMBER
10132951-000XXLF



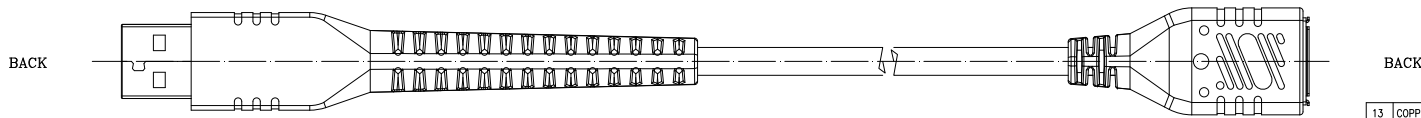
FRONT

FRONT



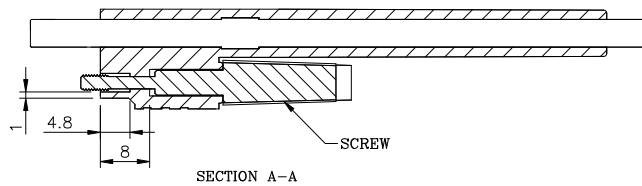
SIDE

SIDE



BACK

BACK



SECTION A-A

PIN TO PIN

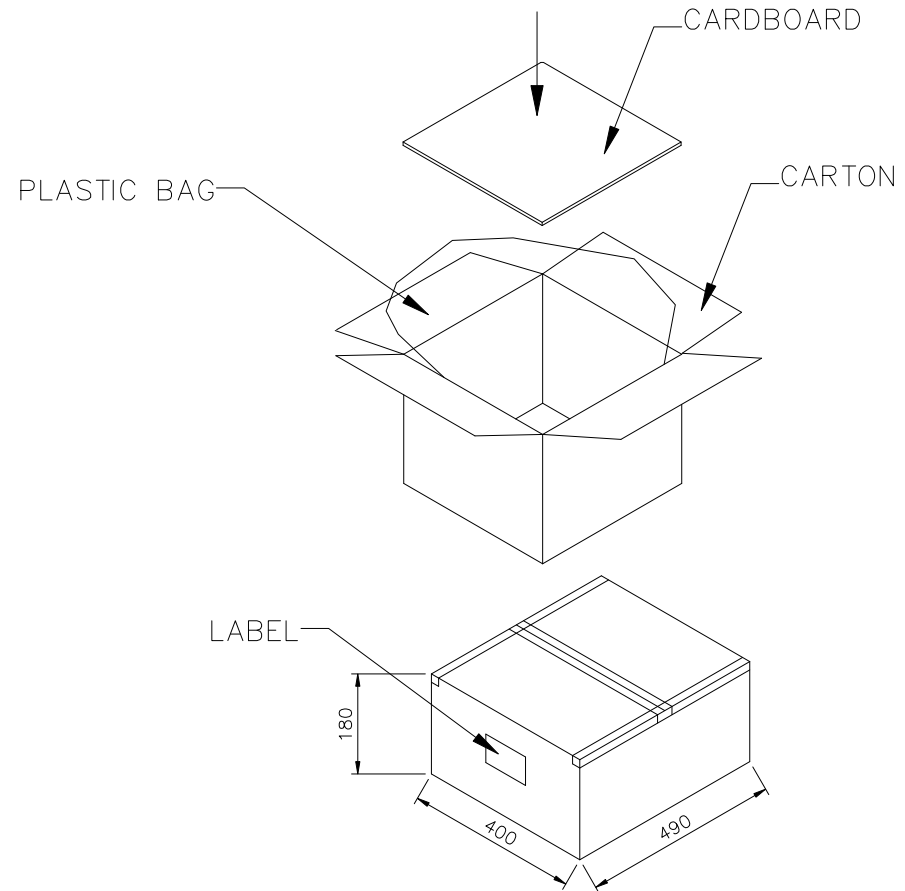
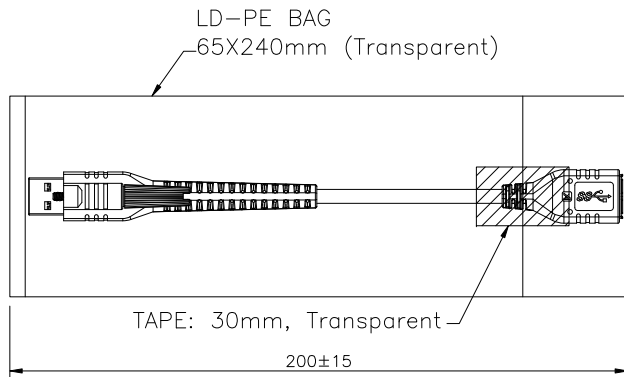
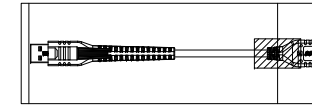
USB 3.0 A/M	CABLE COLOUR	USB 3.0 A/F
1	RED	1
2	WHITE	2
3	GREEN	3
4	BLACK	4
5	BLUE	5
6	YELLOW	6
7	D.W	7
	D.W	
8	VIOLET	8
9	ORANGE	9
SHELL	Braid+Drain	SHELL

NOTE:
 1. PRODUCT SPECIFICATION: GS-12-1285.
 2. PACKAGE SPECIFICATION: SEE PAGE 2.
 3. PART NUMBER:
 10132951-000 X X LF
 PLATING: 1: G/F ON CONTACT 2: 30u" Au ON CONTACT
 PACKAGE: 1: PE BAG

NO.	PART NAME	MATERIAL	QTY.
13	COPPER TAPE	COPPER ALLOY 5*28mm t=0.06mm	1 PCS
12	OVER MOLD	PVC BLACK	25.0g
11	INNER MOLD	PE	6.0g
10	TUBE	ø6 BLACK	9mm
9	TUBE	ø1 BLACK	16mm
8	LEAD FREE SOLDER		0.3g
7	SCREW	BIG E ø4*23mm (M2.6)	1 PCS
6	USB 3.0 A REC. SHELL	STEEL, NI PLATED	1 PCS
5	USB 3.0 A RECEPTACLE	HSG: HIGH TEMP. THERMOPLASTIC, BLUE TERMINAL: COPPER ALLOY, OPTIONAL Au PLATING	1 PCS
4	USB 3.0 A PLUG LOWER SHELL	STEEL, NI PLATED	1 PCS
3	USB 3.0 A PLUG UPPER SHELL	STEEL, NI PLATED	1 PCS
2	USB 3.0 A PLUG	HSG: HIGH TEMP. THERMOPLASTIC, BLUE TERMINAL: COPPER ALLOY, OPTIONAL Au PLATING	1 PCS
1	CABLE	UL 20276, FOR USB 3.0, BLACK, OD=5.4mm	

mat'l. code				surface		tolerance		projection		product family		
ltr	ecn no	dr	date	tolerances unless otherwise specified				MM		USB 3.0		
A		TAI	2014-12-30	angles	16<L≤63 ±0.4					title		
				radius	4<L≤16 ±0.3					CABLE ASS'Y, USB 3.0 A PLUG TO USB 3.0 A RECEPTACLE		
				X°±5°	L≤4 ±0.2					sheet 1 of 2 size		
				dr	KENNY TAI	2014-11-27					A4	
				engr	KENNY TAI	2014-11-27					sheet 1 of 2 size	
				chr	KENNY TAI	2014-11-27					10132951	
				appd	PM ZHENG	2014-12-30					CUSTOMER Drawing	
sheet index	revision sheet	A	A									
		1	2									

PRODUCT NUMBER
10132951-000XXLF



NOTE:

1. PUT 4 DESICCANTS INTO THE PLASTIC BAG.
2. PACKAGE Q'TY:

PE BAG	CARTON	Net Wt.	Gross Wt.
1 CABLE	500 CABLES	14.0 Kg	15.2 Kg

mat'l. code		surface	tolerance	projection	product family
ltr		tolerances unless otherwise specified			USB 3.0
ecn no	dr	date	angles	MM	title
			16<L≤63 ±0.4		CABLE ASS'Y, USB 3.0 A PLUG TO USB 3.0 A RECEPTACLE
			4<L≤16 ±0.3		
			X°±5°	scale	dwg no
			L≤4 ±0.2		sheet 2 of 2
dr	KENNY TAI	2014-11-27			size
enr	KENNY TAI	2014-11-27			A4
chr	KENNY TAI	2014-11-27			10132951
appd	PM ZHENG	2014-12-30			type
					CUSTOMER Drawing
sheet index	revision sheet	A	A		
		1	2		