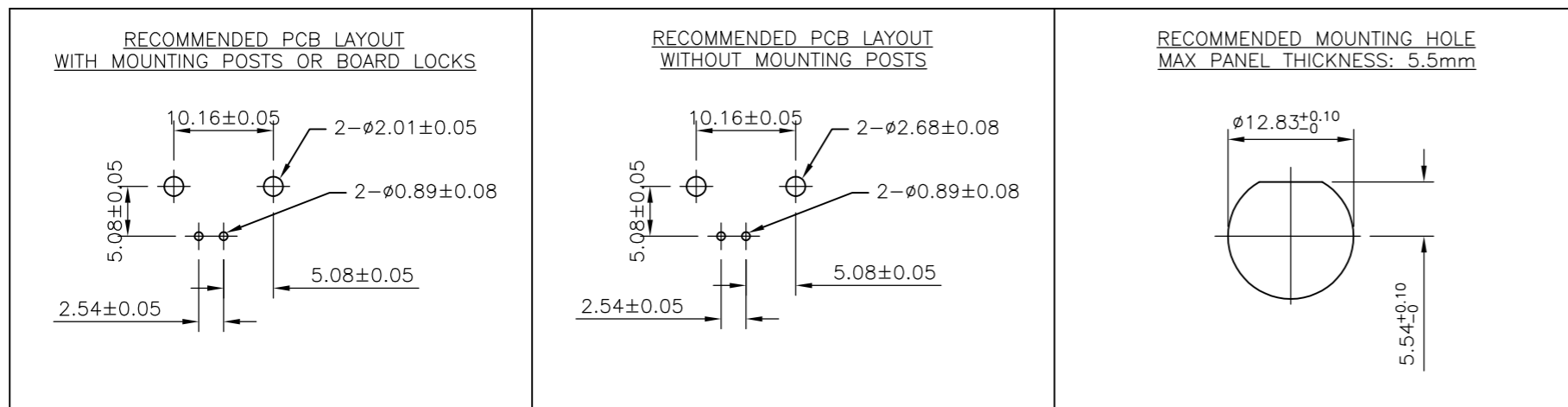
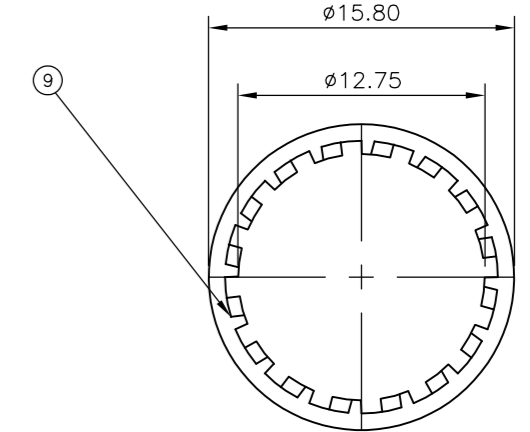
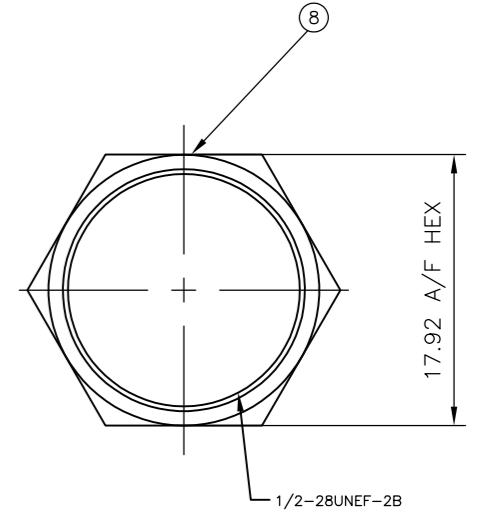
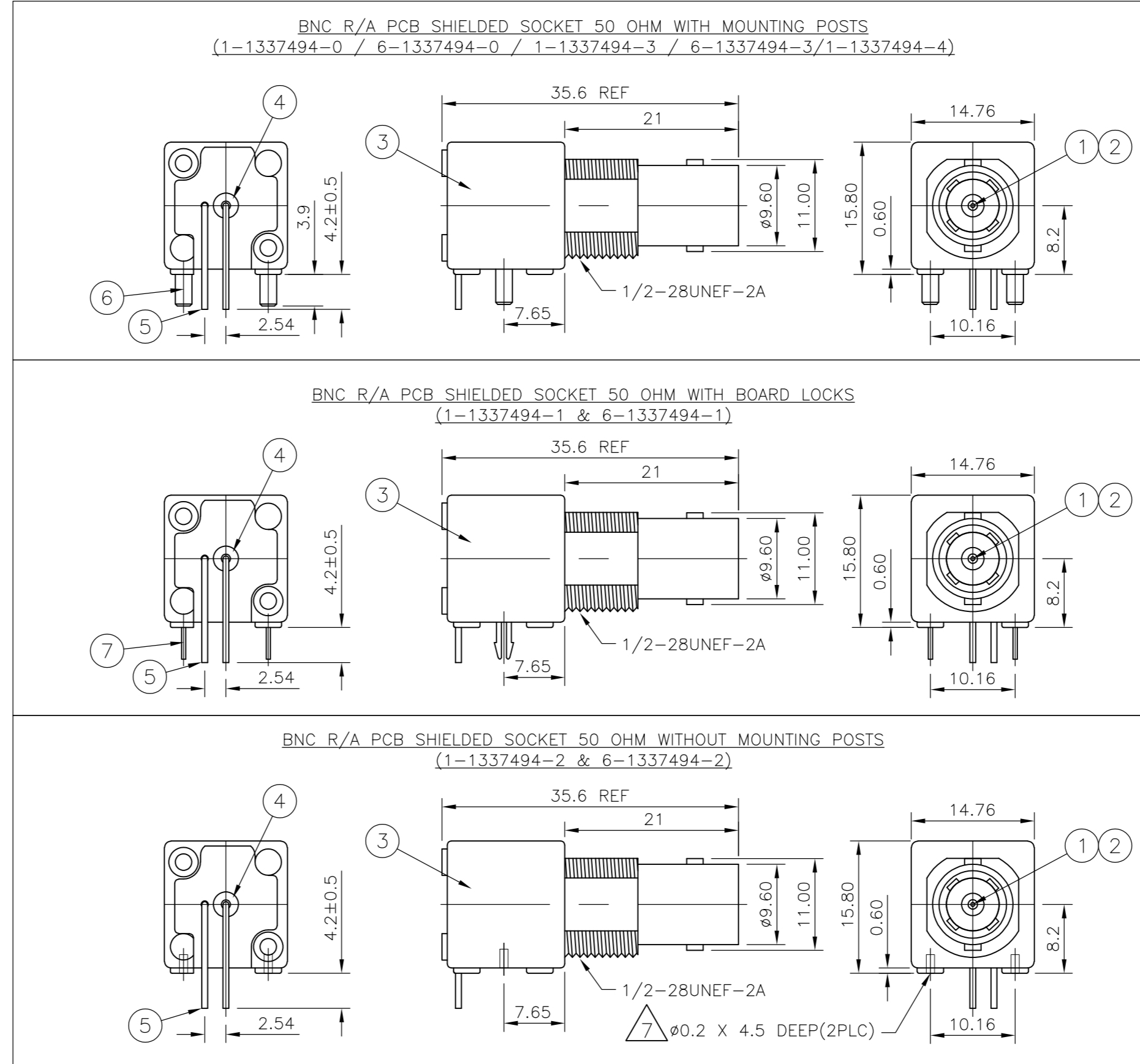


THIS DRAWING IS UNPUBLISHED. RELEASED FOR PUBLICATION AUGUST, 2005.
 © COPYRIGHT 2005 By - ALL RIGHTS RESERVED.

LOC		DIST		REVISIONS			
E	B	P	LTR	DESCRIPTION	DATE	DWN	APVD
		F2		REVISED PER ECO-12-009825	19NOV12	KH	FB

- 1 SINGLE PACK IN ACCORDANCE WITH AMP SPEC 107-3275
- 2 50 TRAY PACK IN ACCORDANCE WITH AMP SPEC 107-3275
- 3 FLASH Au PLATING OVER Ni PLATING OVER Cu PLATING
- 4 0.8μm Au PLATING OVER Ni PLATING OVER Cu PLATING
- 5 Ni PLATING OVER Cu PLATING
- 6 TIN PLATING
- 7 RECOMMENDED SELF-TAPPING SCREW 221108-4
- 8 RECOMMENDED MOUNT NUT 1-1634816-0
- 9 RECOMMENDED LOCKWASHER 1-1634817-0
- 10 FOR TECHNICAL DATA REFER TO YOUR LOCAL TE CONNECTIVITY SALES OFFICE
- 11 ALL DIMENSIONS ARE NOMINAL FOR REFERENCE ONLY UNLESS OTHERWISE STATED
- 12 OBSOLETE



QUANTITY PER ASSY										PARTS LIST			
1	-	-	-	-	-	-	-	-	-	STEEL	5	LOCK WASHER	9
1	-	-	-	-	-	-	-	-	-	BRASS	5	NUT	8
-	-	-	-	-	2	2	-	-	-	BRASS	6	BOARD LOCK	7
2	2	2	-	-	-	-	2	2	2	BRASS	6	MOUNTING POST	6
1	1	1	1	1	1	1	1	1	1	BRASS	6	SOLDER TAIL	5
1	1	1	1	1	1	1	1	1	1	PE-606	4	INSULATOR	4
1	1	1	1	1	1	1	1	1	1	ZINC ALLOY	5	BODY	3
-	1	1	-	-	-	-	-	-	-	BRASS	4	CONTACT	2
1	-	-	1	1	1	1	1	1	1	PHOSPHOR BRONZE	3	CONTACT	1
1--4	6--3	1--3	6--2	1--2	6--1	1--1	6--0	1--0		MATERIAL		DESCRIPTION	ITEM

THIS DRAWING IS A CONTROLLED DOCUMENT.

DWN: RITA ZUO 14 Feb 09
 CHK: ANSON MA 14 Feb 09
 APVD: BOB ZHAO 14 Feb 09

TE Connectivity

BNC R/A PCB SHIELDED SOCKET 50 OHM

108-112000

SCALE: NTS SHEET: 1 OF 1 REV: F2