

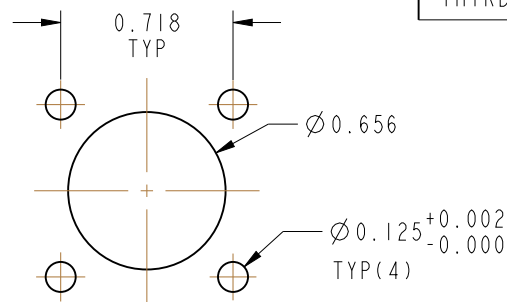
NOTES:

1. MATERIALS AND FINISHES:
 BODY - ZINC DIE CAST, NICKEL PLATING
 CONTACT - BRASS, SILVER PLATING
 INSULATOR - PTFE, NATURAL
2. MECHANICAL:
 A. DURABILITY: 500 CYCLES MIN.
 B. TEMPERATURE RANGE: -65° C TO +165° C
3. PACKAGING:
 A. QUANTITY: SINGLE PACK
 B. MARKING: BAG TO BE MARKED
 "AMPHENOL RF, 83-1R-RFX, AND DATE CODE"

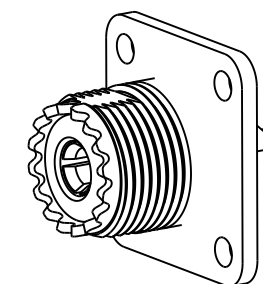
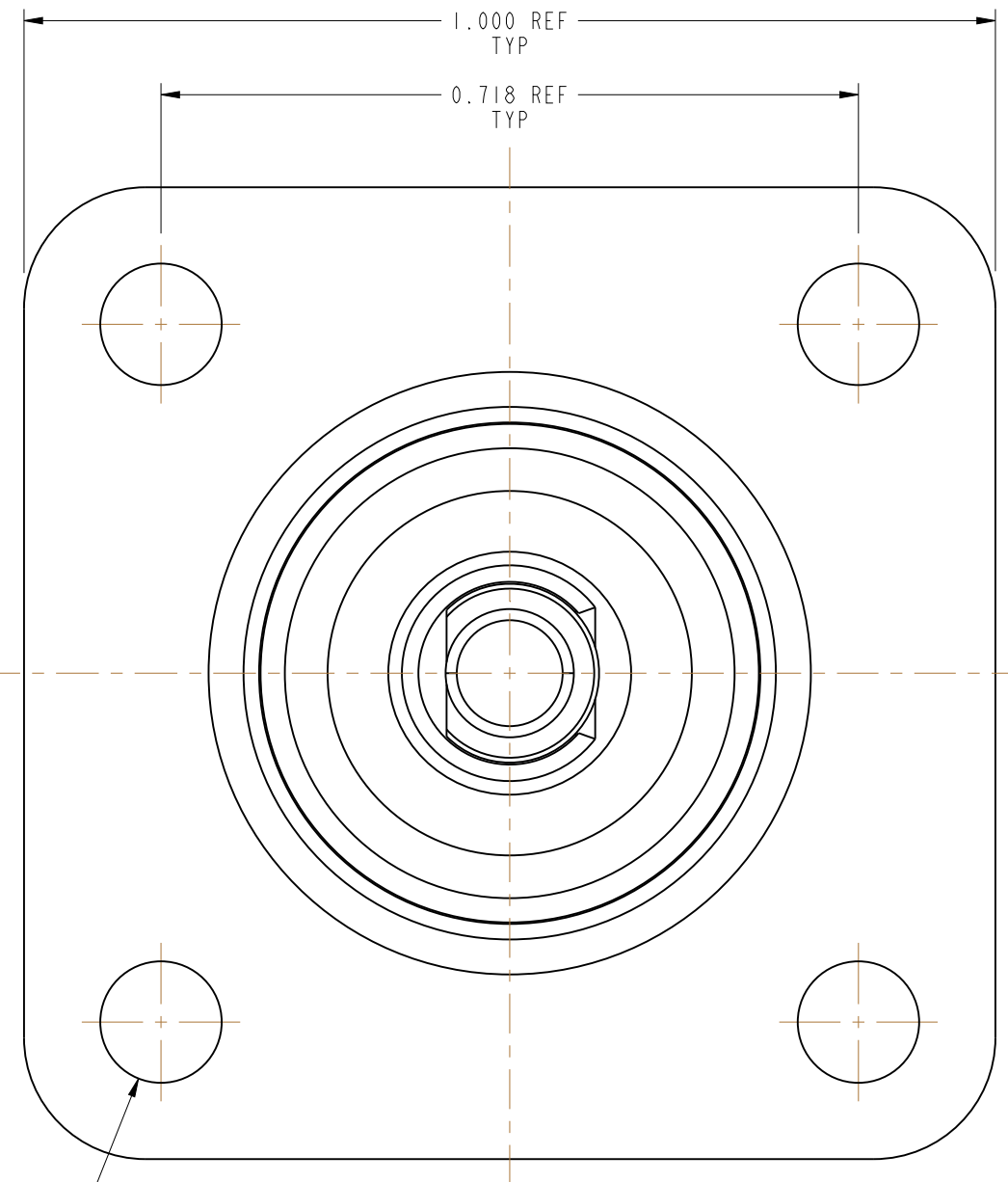
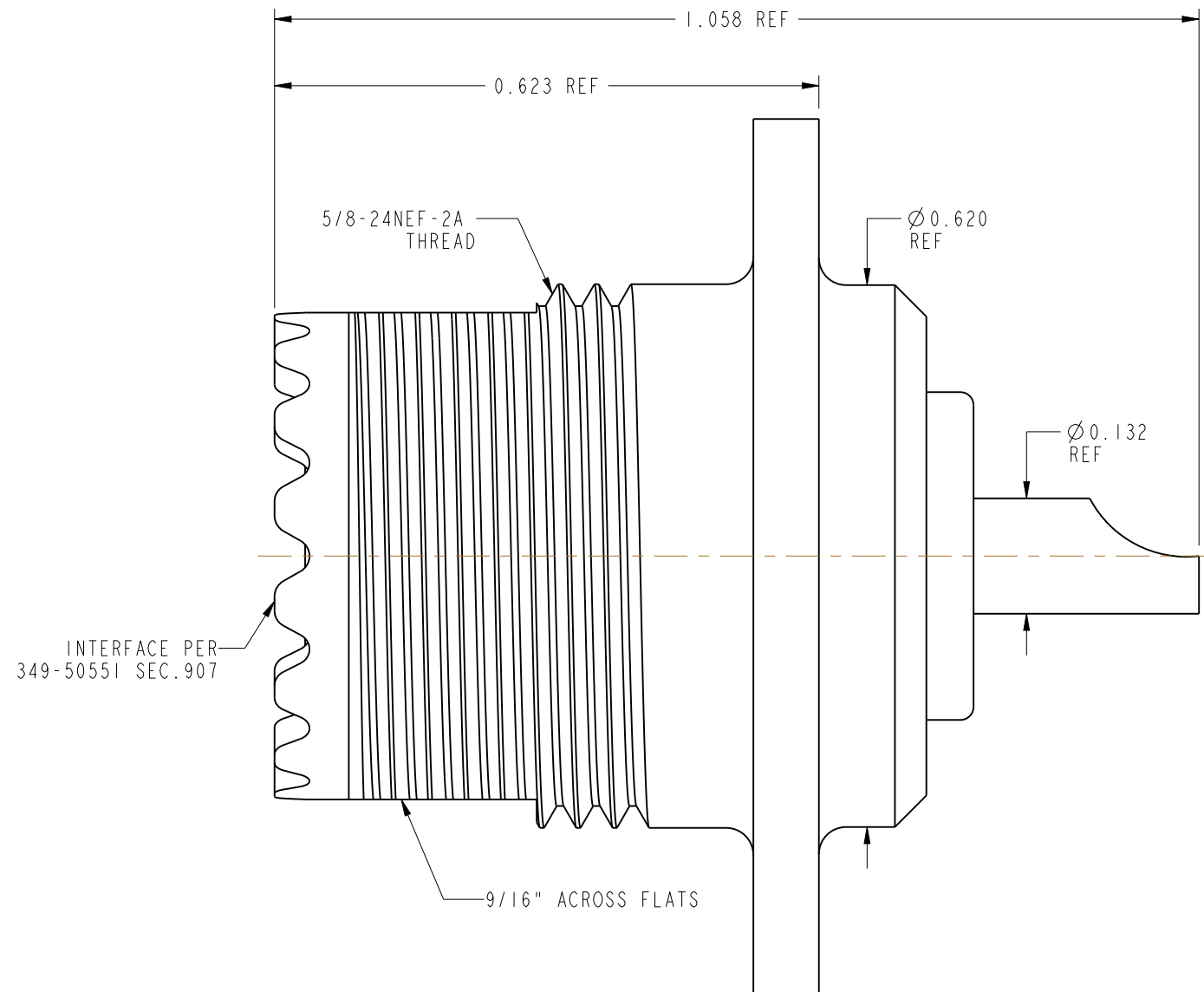
THIRD ANGLE PROJ.

REVISIONS

| REV | DESCRIPTION | DATE | ECO | APPR |
|-----|------------------------------------|---------|-------|------|
| -- | RELEASE TO MFG | -- | -- | -- |
| F | REDRAWN IN PRO-E & COD SHEET ADDED | 6/18/15 | 50333 | NR |



RECOMMENDED MOUNTING HOLE DIMENSIONS



SCALE 1.250

CUSTOMER OUTLINE DRAWING

ALL OTHER SHEETS ARE FOR INTERNAL USE ONLY

| | | | | | | |
|---|------------------------------|-------------|-----------|---|--|-----------------------------------|
| UNLESS OTHERWISE SPECIFIED, DIMENSIONS ARE IN INCHES AND TOLERANCES ARE: 2 PLACE DECIMAL 3 PLACE DECIMAL ANGLES ± 0.015 (0,381 mm) ± 0.005 (0,127 mm) $\pm 1^\circ$ | MATERIAL | DRAWN | DATE | TITLE | | Amphenol RF www.amphenolrf.com |
| | SEE NOTES | RAJAGOPAL N | 05-Jan-15 | UHF STR JACK 4 HOLE FLANGE RECEPTACLE SO-239 TYPE SPECIAL NICKEL PLATED | | |
| NOTICE - These drawings, specifications, or other data (1) are, and remain the property of Amphenol corp. (2) must be returned upon request; and (3) are confidential and not to be disclosed to any person other than those to whom they are given by Amphenol Corp. the furnishing of these drawings, specifications, or other data by Amphenol Corp., or to any other person to anyone for any purpose is not to be regarded by implication or otherwise in any manner licensing, granting rights to permitting such holder or any other person to manufacture, use or sell any product, process or design, patented or otherwise, that may in any way be related to or disclosed by said drawings, specifications, or other data. | REFERENCE | ENGINEER | DATE | SCALE: 5.3:1.0 SHEET 2 OF 2 | | DRAWING NO.83-1R-RFX |
| | EAR # 962370-0 | D.ROYCE | 27-Apr-91 | DWG SIZE B REV F | | ITEM NO.83-1R-RFX |
| | CONFIGURATION LEVEL: In Work | APPROVED | DATE | | | PART NO.83-1R-RFX |
| FINISH | K. CAPOZZI | 6/18/15 | | | | |
| | CAD FILE | | | | | |