

**NOTES:**

1. **PART DESCRIPTION:** TRIAXIAL PIN CONTACT MIL-C-38999 SIZE 8, TWINAXIAL CABLE

**MATERIAL AND FINISH**

- ① BRASS ALLOY PER QQ-B-626, GOLD PLATED PER MIL-G-45204
- ② POLYETHERIMIDE RESIN
- ③ SHIELDED CONTACT, SOCKET MATERIALS AND FINISHES AS SPECIFIED ON D-602-0127 SCD

2. **CAVITY ACCOMMODATION:** PIN CONFIGURATION TO FIT MIL-C-38999 SERIES I, III, & IX CONNECTORS, SIZE 8

3. **WIRE SIZE:** CABLE BRAID TERMINATOR ASSEMBLY WILL TERMINATE THE BRAID OF RAYCHEM DATA BUS CABLES 10605, 10613, 10614, AND EPD 6499 OR EQUIVALENT, TO OUTER PIN HOUSING ASSEMBLY, AFTER INNER CONDUCTORS HAVE BEEN TERMINATED TO D-602-0127 SHIELDED SOCKET CONTACT.

4. **MATING CONNECTOR:** THIS CONNECTOR WILL MATE WITH D-602-1112

5. SEE PROCEDURE ES 61184 FOR CABLE ACCOMMODATION AND TERMINATION PROCEDURE DETAIL

6. TRIAXIAL PIN CONTACT SHALL CONSIST OF OUTER PIN HOUSING ASSEMBLY, D-602-0127 SHIELDED CONTACT SOCKET, TWISTED PAIR, AND CABLE BRAID TERMINATOR ASSEMBLY, ALL PACKAGED TOGETHER.

**PERFORMANCE CHARACTERISTICS:**

(TEST REQUIREMENTS AND PROCEDURES SHALL BE PER MIL-C-39029 WHERE APPLICABLE)

**TEMPERATURE RATING:** 125° C

**CURRENT RATING:** 3 AMPS

**VOLTAGE RATING:** DIELECTRIC WITHSTAND APPLIED BETWEEN INNER CONTACT AND MIDDLE CONTACT; AND MIDDLE CONTACT AND OUTER CONTACT 900 VOLTS RMS MAX

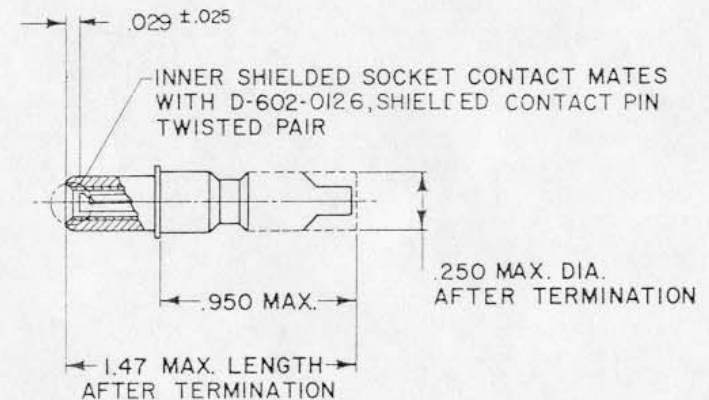
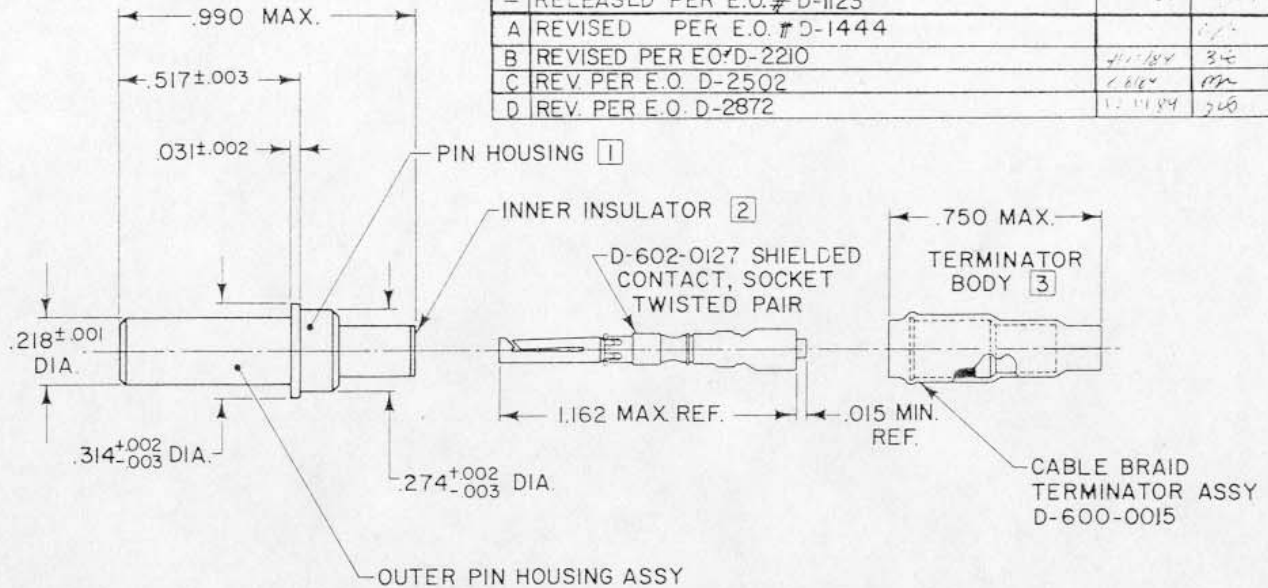
**CONTACT RESISTANCE:** INNER 10 MLLIOHM  
MIDDLE 8 MLLIOHM  
OUTER 60 MLLIOHM

**INSULATION RESISTANCE:** 5.0 GIGA OHM MINIMUM

**SOCKET ENGAGEMENT AND SEPARATION FORCE:**

	ENGAGE (max)	SEPARATE (min)
INNER SOCKET	16 oz	1.75 oz

If this document is printed it becomes uncontrolled. Check for the latest revision.



REVISIONS			
LTR	DESCRIPTION	DATE	APPROVED
-	RELEASED PER E.O. # D-1123		
A	REVISED PER E.O. # D-1444		
B	REVISED PER E.O. # D-2210	4/11/84	346
C	REV PER E.O. D-2502	1/21/84	192
D	REV. PER E.O. D-2872	12/11/84	240

**SPECIFICATION CONTROL DRAWING**

DRAWN	terry	10-27-82	Tyco Electronics Corporation 300 Convent Road Melb Park, CA 94025 USA		
CHECKED			TITLE: TRIAXIAL PIN CONTACT MIL-C-38999 SIZE 8 TWINAXIAL CABLE		
APPROVED			SIZE	CODE IDENT NO	DWG NO
APPROVED			C	06090	D-602-1113
UNLESS OTHERWISE SPECIFIED DIMENSIONS ARE IN INCHES. METRIC DIMENSIONS ARE IN PARENTHESIS			WEIGHT	SHEET   OF	
DO NOT SCALE THIS DRAWING					