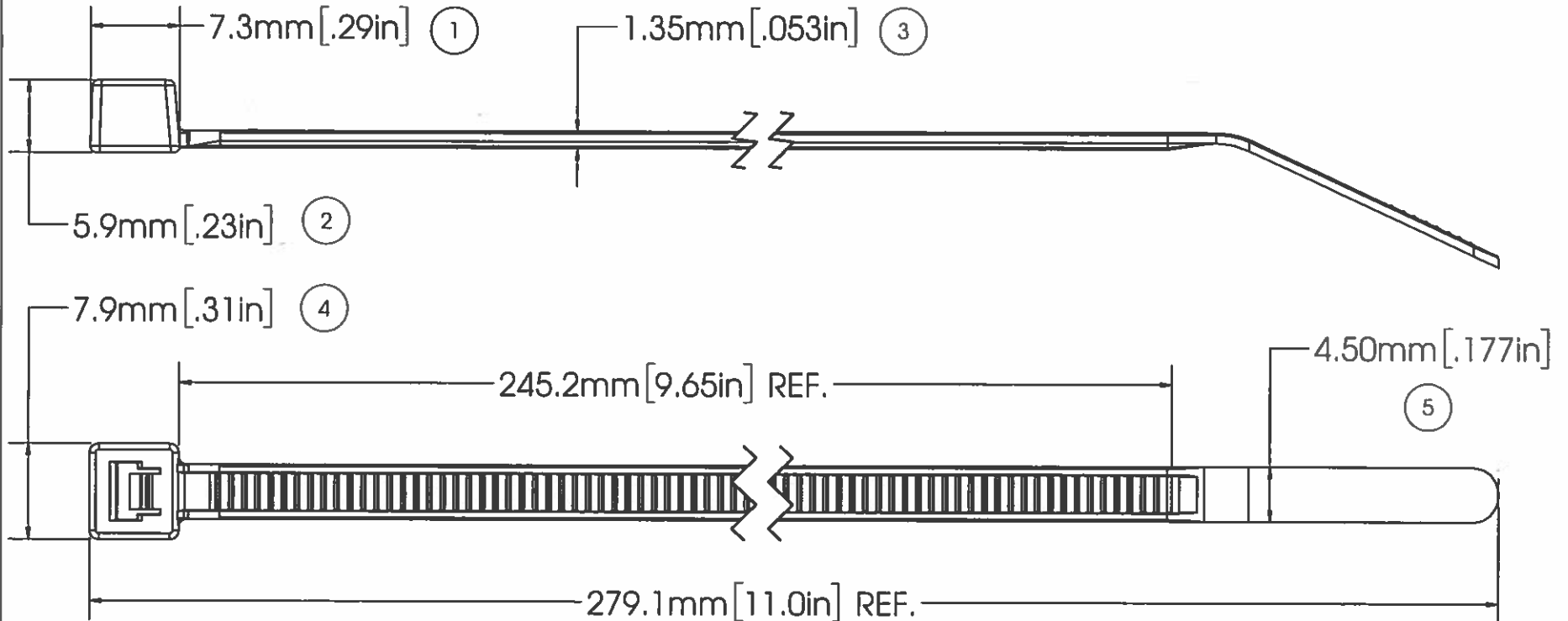


AVERY DENNISON MARKETING SPECIFICATION

HISTORY

REV.	DATE	DESCRIPTION
A	2/27/17	INITIAL RELEASE

THE SUBJECT MATTER DISCLOSED HEREIN EMBODIES PROPRIETARY INFORMATION WHICH IS THE CONFIDENTIAL PROPERTY OF THE AVERY DENNISON CO. NONE OF WHICH SHALL BE COPIED, REPRODUCED, DISCLOSED TO OTHERS, PUBLISHED OR USED IN WHOLE OR IN PART, FOR ANY PURPOSE OTHER THAN THAT FOR WHICH IT IS BEING MADE AVAILABLE WITHOUT THE EXPRESS ADVANCE WRITTEN PERMISSION OF A DULY AUTHORIZED AGENT OF THE COMPANY. THIS DOCUMENT IS THE PROPERTY OF THE AVERY DENNISON CO. AND IS TO BE RETURNED TO THE COMPANY ON DEMAND.



⑥	△ LOOP TENSILE:	50 LBF / 220N MIN.
⑦	△ FLAMMABILITY:	HB RATED PER FMVSS302
	OPERATING TEMP.:	-40°F (-40°C) TO 302°F (150°C) CONTINUOUS AND 329°F (165°C) MAX EXPOSURE
	MIN. INSTALLATION TEMP.:	32°F(0°C)
	WEIGHT:	1.8 g / .06 oz
	BUNDLE DIAMETER:	1.59mm - 76.2mm
	TOOL:	12001 - HAND INSTALLATION TOOL 12500 - PNUM. INSTALLATION TOOL
	TOOL TENSION SETTING:	6 - 8
	PACKAGING:	1000/BAG 5000/CASE

NOTES:

1. △ INDICATES A SPECIAL CHARACTERISTIC

APPROVALS:	ENG. APPR. <i>Phil Long</i> 2/27/17	
	Q.A. APPR. <i>William Wallace</i> 2/27/17	

SPECIFIED TOLERANCES ARE:	
.XX ± .03 IN.	.X ± .7 MM
.XXX ± .010 IN.	.XX ± .25 MM
ANGULAR: ± 2°	

MATERIAL NYLON 6/6, IMPACT MODIFIED HEAT STABILIZED
COLOR BROWN

AVERY DENNISON

FASTENER DIVISION
FITCHBURG, MA 01420 U.S.A.
TEL. 1-800-225-5913
FAX. 978-353-8151

DESCRIPTION
1 1/2" CABLE TIE, STD, HIGH HEAT

STOCK NO.
08056-HHBN

REV.
A