

4

3

2

1

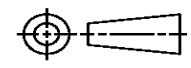
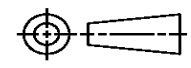
THIS DRAWING IS UNPUBLISHED. RELEASED FOR PUBLICATION
© COPYRIGHT ALL RIGHTS RESERVED.

| LOC | | DIST | | REVISIONS | | | |
|-----|-----|---------------|--|-----------|-----|------|--|
| P | LTR | DESCRIPTION | | DATE | DWN | APVD | |
| | A1 | ECR-14-003919 | | 18MAR2014 | GK | HMR | |
| | | | | | | | |
| | | | | | | | |

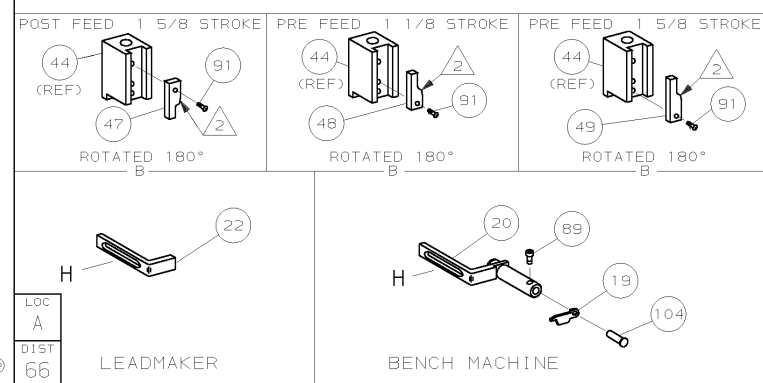
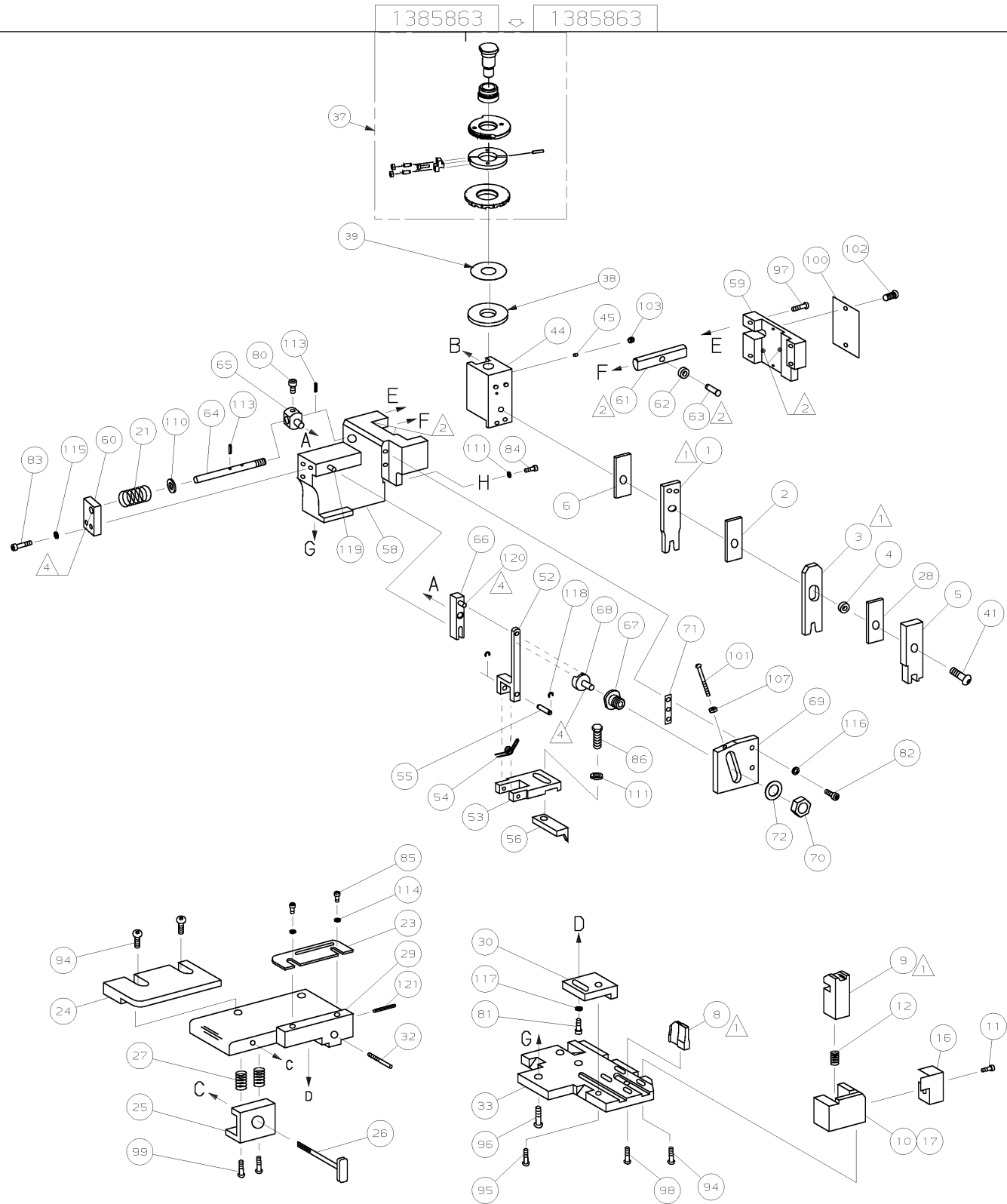
REPLACED BY OCEAN STYLE APPLICATOR PART NUMBER 2266162-1

FOR REPLACEMENT PARTS FOR APPLICATOR 1385863
REFER TO ADDITIONAL PAGE(S). SPARE PARTS KIT (IF LISTED)
WILL REMAIN AVAILABLE.

THE REPLACEMENT OCEAN STYLE APPLICATOR HAS THE
SAME TERMINATOR/PRESS INTERFACE AS APPLICATOR
1385863

| | | | | | | | | | |
|---|--|--|------------------|------------------|---|-----------------|--------------|------------|---------------|
| THIS DRAWING IS A CONTROLLED DOCUMENT. | | DWN | GOPALAKRISHNA HV | |  | TE Connectivity | | | |
| DIMENSIONS: | | CHK | RAGHAVENDRA | | | NAME | | | |
|  | | TOLERANCES UNLESS OTHERWISE SPECIFIED: | | APVD | SIDE FEED HDM APPLICATOR | | | | |
| | | 0 PLC ± | 1 PLC ± | RAGHAVENDRA | | PRODUCT SPEC | | | |
| MATERIAL | | 2 PLC ± | 3 PLC ± | APPLICATION SPEC | | SIZE | CAGE CODE | DRAWING NO | RESTRICTED TO |
| FINISH | | 4 PLC ± | ANGLES ± | WEIGHT | | A3 | | ©- 1385863 | |
| | | | | CUSTOMER DRAWING | | SCALE | SHEET 1 OF 3 | REV A1 | |

THIS DRAWING IS A CONTROLLED DOCUMENT



RELEASED FOR PUBLICATION JANUARY 14, 2005
 ALL RIGHTS RESERVED.
 THIS DRAWING IS UNCONTROLLED
 © COPYRIGHT 2005

| | |
|------------|---------------|
| LOC A | LEADMAKER |
| DIST 66 | BENCH MACHINE |

| | | | |
|--|-------------------------------|-------------|--------------------|
| DWG SIZE | PART NO | DESCRIPTION | ITEM NO |
| ← REVISION OF EACH ASSY NO (WHEN BLANK, USE DWG REVISION) | | | |
| QTY REQD PER ASSY | | | |
| PARTS LIST | | | |
| MATL | HT TR | FIN | |
| DIMENSIONS IN INCHES. DO NOT SCALE PRINT. TOLERANCES UNLESS OTHERWISE SPECIFIED: | | | |
| DR | APP | | |
| 2 PLC DEC ± | | | |
| 3 PLC DEC ± | | | |
| 4 PLC DEC ± | | | |
| ANGLES ± | | | |
| SURF TEXTURE: | | | |
| REMOVE BURRS, BREAK SHARP EDGES R.015 MAX | | | |
| SCALE | DWG NO | 1385863 | SHEET 2 of 2 REV A |
| CASE CODE 00779 | CUSTOMER AND ASSEMBLY DRAWING | | RESTRICTED TO |

| |
|-----------------|
| SEE SHEET 1 |
| REVISION RECORD |
| APP DATE |