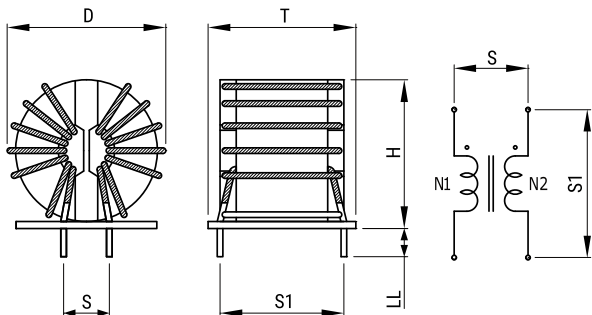


KEMET Part Number: SCF12-025-1100J
(UALF120251100J)

KEMET, SCF-J/JH, AC Line Filters, Common Mode, 0.0119 H



Dimensions

D	16mm MAX
T	12mm MAX
H	16mm MAX
LL	3.1mm +/-0.5mm
S	6mm NOM

Packaging Specifications

Packaging:	Tray
Packaging Quantity:	1080
Weight:	5 g

General Information

Series:	SCF-J/JH
Style:	Through-Hole
Features:	High Impedance, Space Saving
RoHS:	Yes
Notes:	Lead Spacing (S/S1) Are For Reference Only.
Miscellaneous:	Temperature Rise Maximum: 70 K

Specifications

Voltage AC:	250 VAC
Inductance:	11.9 mH (10 kHz)
Current:	2.5 A
Temperature Range:	-25/+120°C
DC Resistance:	82.6 mOhms