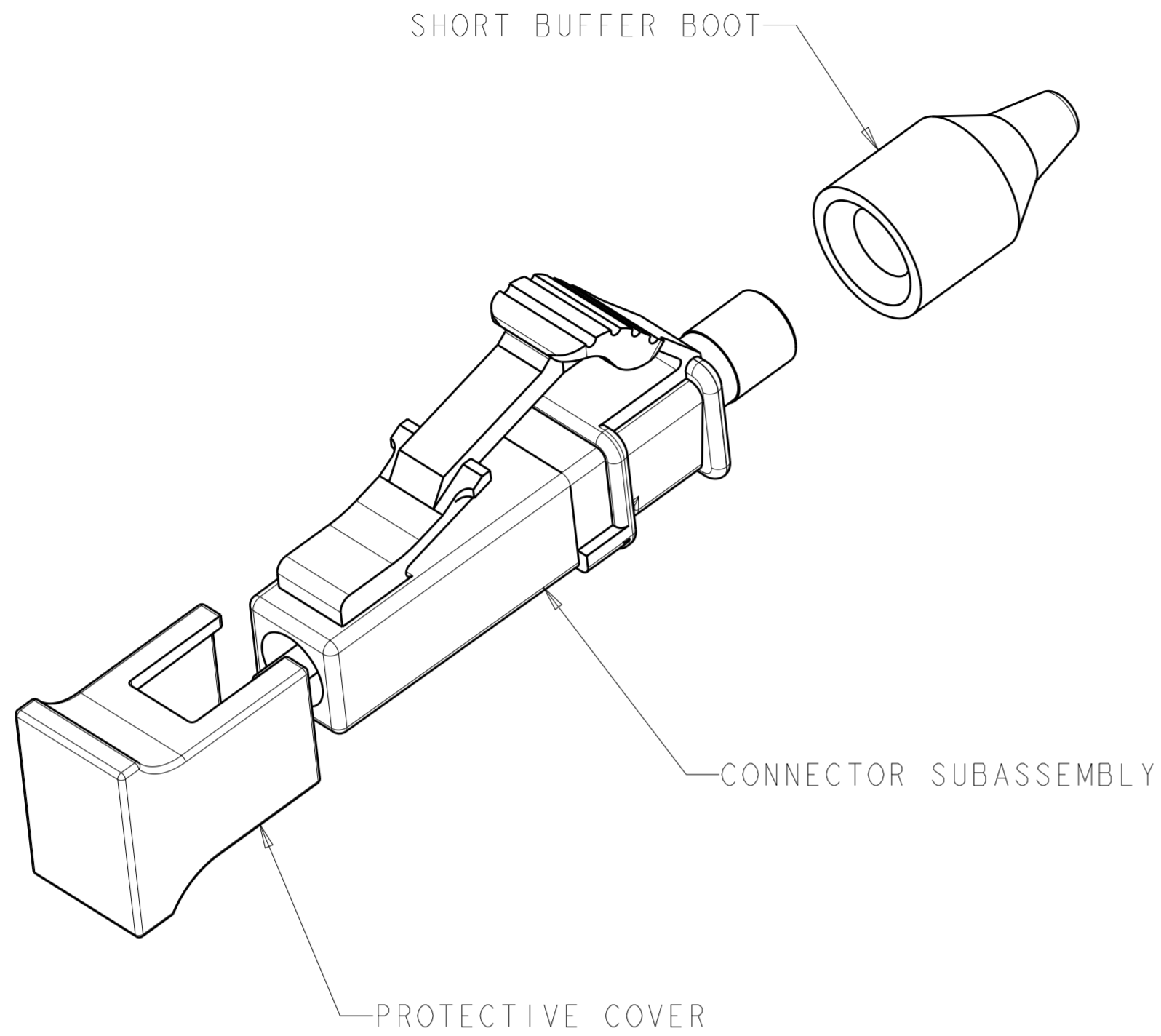


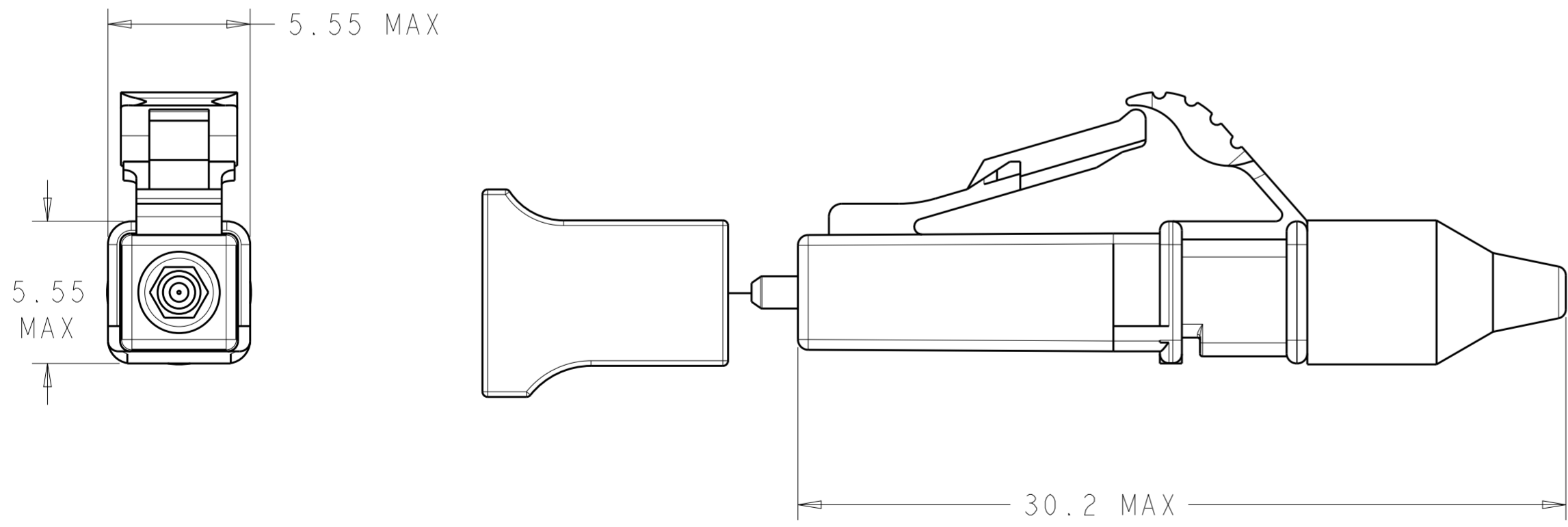
THIS DRAWING IS UNPUBLISHED. RELEASED FOR PUBLICATION 20
 © COPYRIGHT 20 BY - ALL RIGHTS RESERVED.

LOC	DIST	REVISIONS			
P	LTR	DESCRIPTION	DATE	DWN	APVD
CE	00	C	REV; ECO-13-011126	08JUL2013	GG TE



- 1 MATERIAL
 PROTECTIVE COVER: PP, COLOR: WHITE, UL 94 HB*
 FERRULE SUBASSEMBLY: ZIRCONIA/METAL
 COMPRESSION SPRING: STAINLESS STEEL
 FRONT HOUSING: PEI, COLOR: BLUE, UL 94 V-0*
 INNER TUBING: PTFE, COLOR: CLEAR, UL VW-1
 REAR BODY: METAL
 BOOT: TPE, COLOR: BLUE, UL 94 V-0*
 *RATED AT QUALIFYING THICKNESS.

- 2 BULK PACKAGE.
- 3. INSTRUCTION SHEET: 408-8675 AVAILABLE FOR DOWNLOAD AT
www.tycoelectronics.com/documents OR
www.ampnetconnect.com/foguide.



1918384-2
1918384-1
PART NUMBER

THIS DRAWING IS A CONTROLLED DOCUMENT.		DWN B. BRIGGS 02MAY2006	STE TE Connectivity	
		CHK D. ROHDE 02MAY2006		
DIMENSIONS:		APVD S. BUCHTER 02MAY2006	NAME KIT, CONNECTOR, LC, SIMPLEX, SM, 900um BUFFER	
TOLERANCES UNLESS OTHERWISE SPECIFIED:		PRODUCT SPEC	SIZE CAGE CODE DRAWING NO RESTRICTED TO	
mm	0 PLC ± 1 PLC ± 2 PLC ± 3 PLC ± 4 PLC ± ANGLES ± FINISH	APPLICATION SPEC	A200779 C-1918384	
MATERIAL		WEIGHT	SCALE 5:1 SHEET 1 OF 1 REV C	
		Customer Drawing		