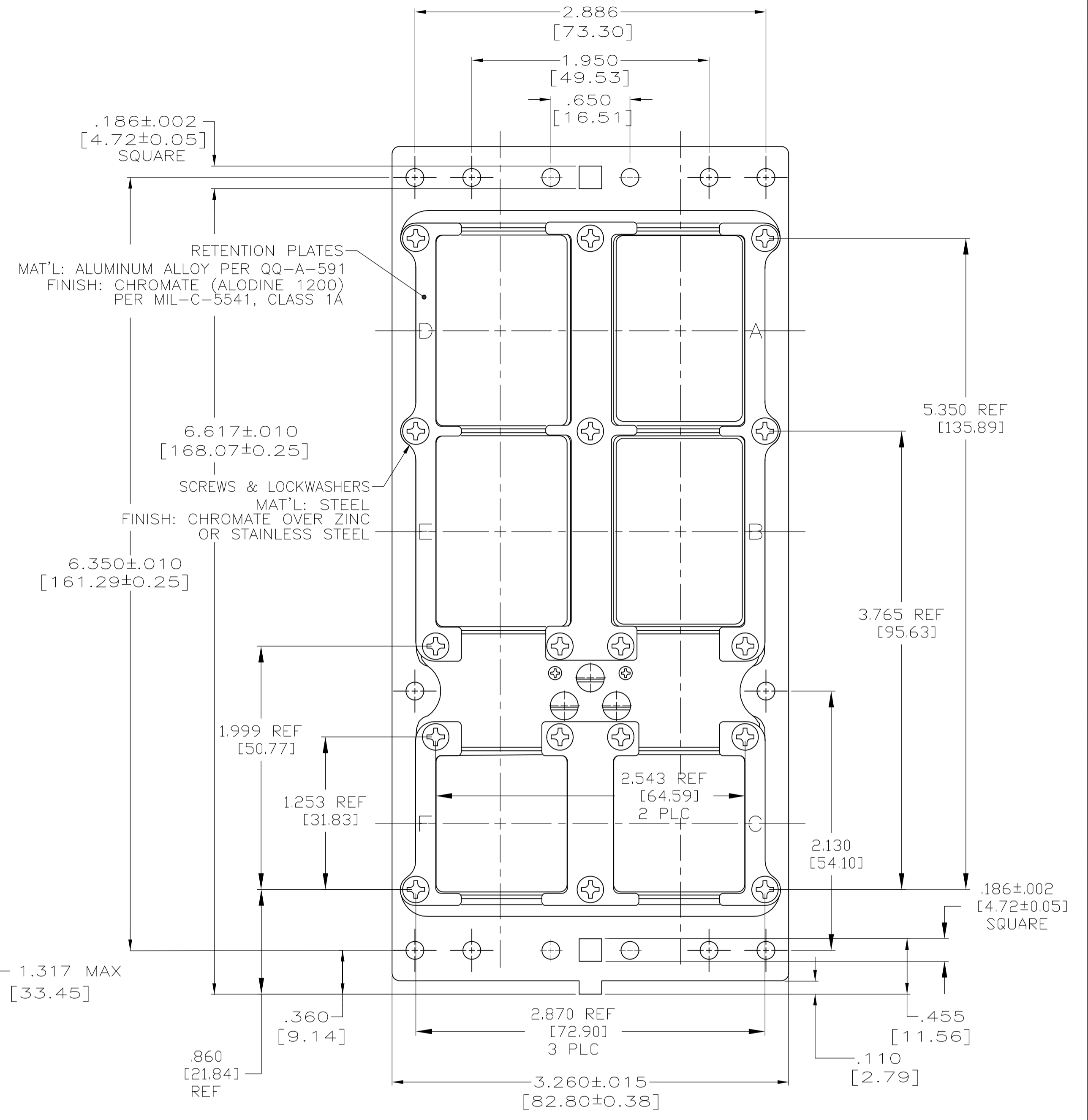
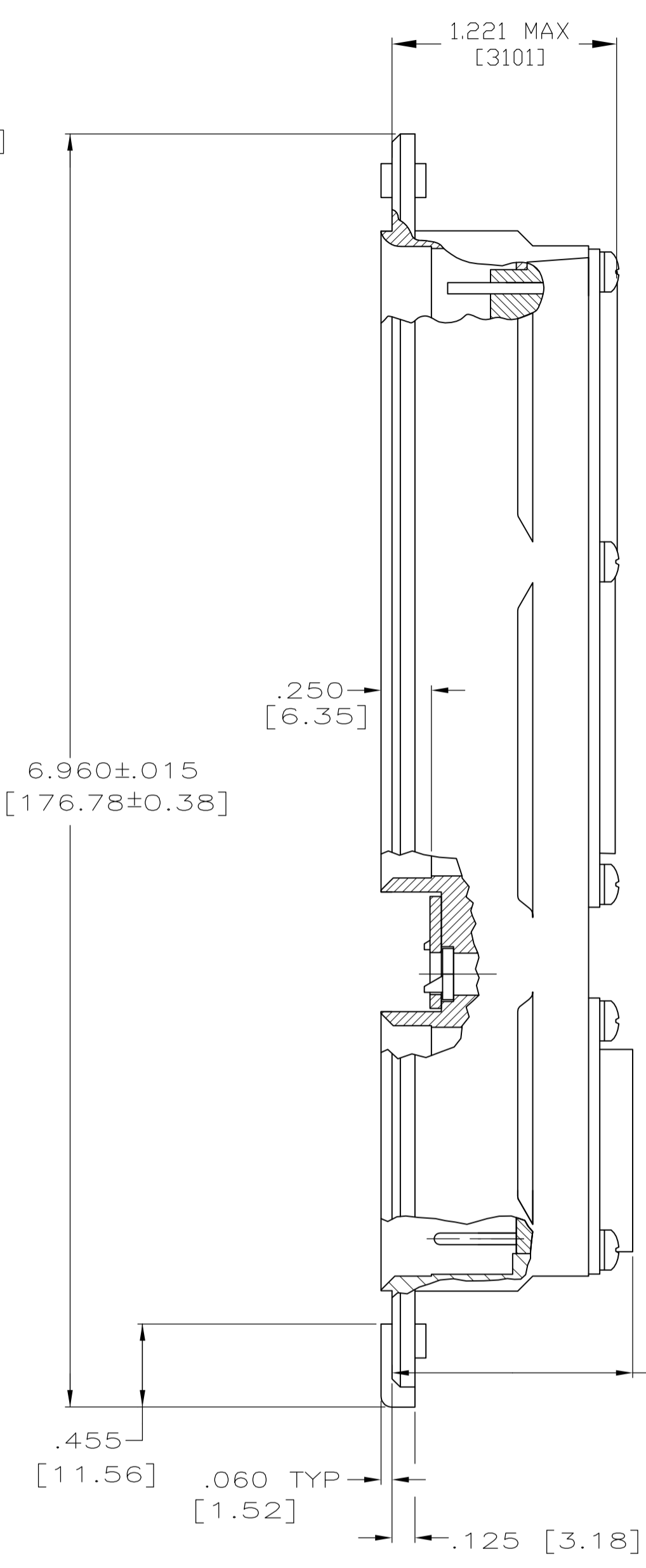
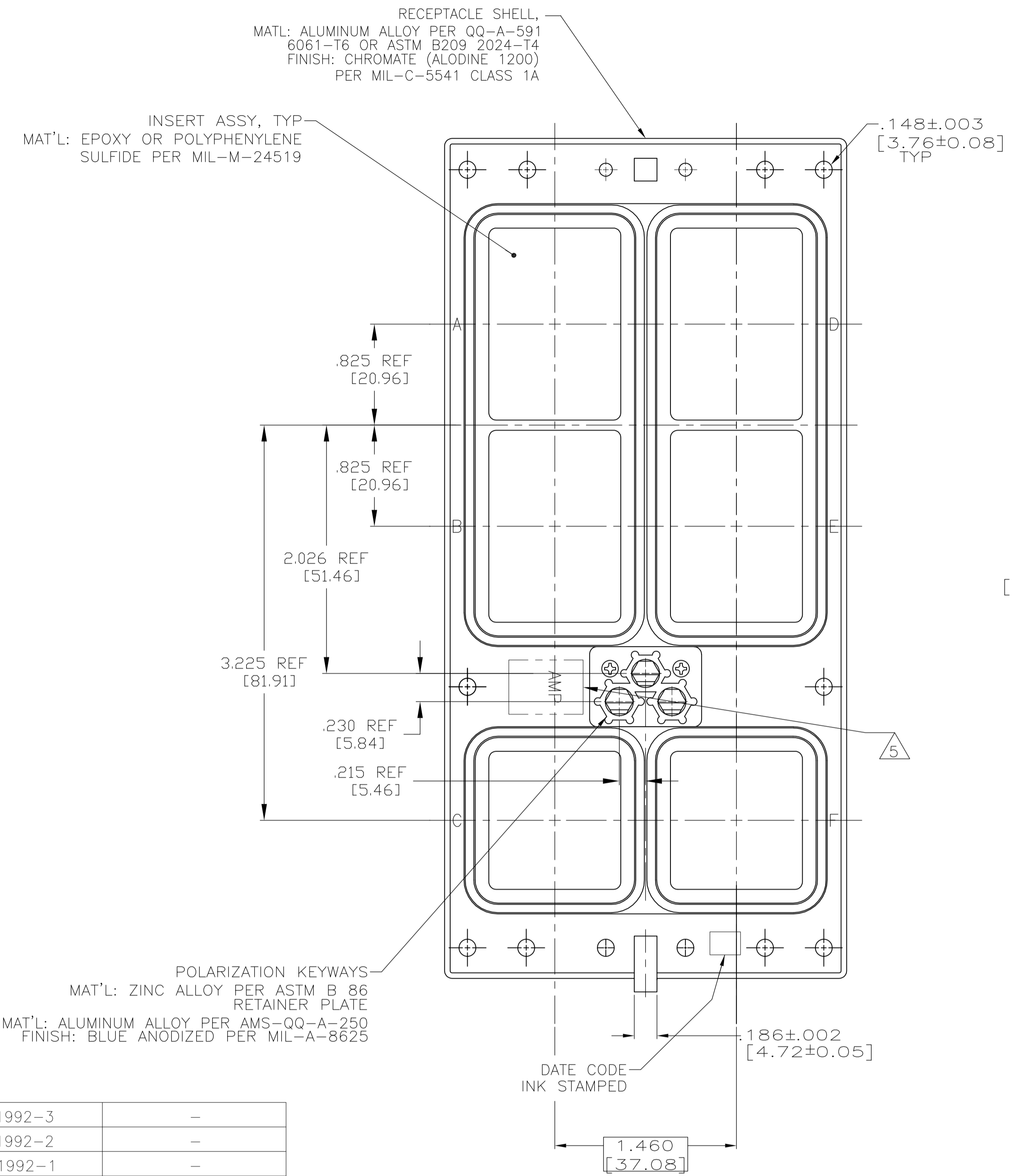


REVISIONS				
P	LTR	DESCRIPTION	DATE	OWN
L	REV PER ECO	17-007041	5-16-17	CT



- CONTACTS ARE SHOWN IN POSITION FOR ILLUSTRATION ONLY. FOR SHIPMENT CONTACTS ARE INCLUDED IN A CONTAINER WITHIN THE CONNECTOR PACKAGE. COAX CONTACTS ARE NOT SUPPLIED AND MUST BE ORDERED SEPARATELY.
- ALL DIMENSIONS PER ARINC 600 SPECIFICATIONS.
- POLARIZING KEYS SHOWN IN POSITION 01 FOR ILLUSTRATION ONLY. CONNECTORS SHIPPED WITH KEYING PER ORDERING INSTRUCTIONS. CONTACT INSERTS AS SHOWN FOR ILLUSTRATION ONLY. SEE TABLE FOR DISRIPTIVE NUMBER.
- FRONT RELEASE FEATURE PERTAINS TO SIGNAL INSERTS ONLY.
- TE LOGO APPEARS IN THIS APPROXIMATE LOCATION ON MACHINED FROM BILLET SHELLS.
- ASSEMBLY SHOWN WITH DIE CAST SHELL. ASSEMBLIES WITH MACHINED SHELLS MAY VARY SLIGHTLY IN APPEARANCE.

2-211992-3	-
2-211992-2	-
2-211992-1	-
2-211992-0	-
1-211992-9	-
1-211992-8	-
1-211992-7	-
1-211992-6	-
1-211992-5	-
1-211992-4	-
1-211992-3	NIC66J33FA00CA1
1-211992-2	-
1-211992-1	NIC66J31FA00CA1
1-211992-0	-
211992-9	-
211992-8	-
211992-7	NIC66J31FA27FA1
211992-6	NIC66J31FA03FA1
211992-5	NIC66J31FA01FH0
211992-4	NIC66J31FA01FF0
211992-3	NIC66J32FA00FA1
211992-2	-
211992-1	NIC66J31FA01FA1
PART NUMBER	DESCRIPTIVE NUMBER

-	-
-	-
-	-
-	-
-	-
-	-
-	-
-	-
-	-
-	-
-	-
2-211992-4	NIC66J31FA01FJ0
PART NUMBER	DESCRIPTIVE NUMBER

.025 SQUARE FRONT RELEASE #22 CONTACTS	-	-	-	.025 ROUND FRONT RELEASE #22 CONTACTS	-
	3	.500 [12.70]	211245-6		.500 [12.70]
	2	.375 [9.53]	211245-4		.375 [9.53]
	1	.250 [6.35]	211245-2		.250 [6.35]
	NUMBER OF WRAPS	MIN POST EXTENSION FROM REAR OF INSERT	AMP PART NUMBER		MIN EXTENSION FROM REAR OF INSERT

PRELIMINARY NOT RELEASED FOR PRODUCTION

CONTACTS

THIS DRAWING IS A CONTROLLED DOCUMENT.

DIN C.C.THOMAS 11-27-95

CHK: R.GROSS 4-11-96

APVD: R.GROSS 4-11-96

NAME: CONNECTOR ASSY, SIZE 3 CLASS A, RCPT, ARINC 600 FRONT RELEASE

SIZE: A1

CAGE CODE: 00779

DRAWING NO: 211992

RESTRICTED TO: -

WEIGHT: 0.000000

CUSTOMER DRAWING

SCALE: 1:1

SHEET: 1 of 1

REV: L