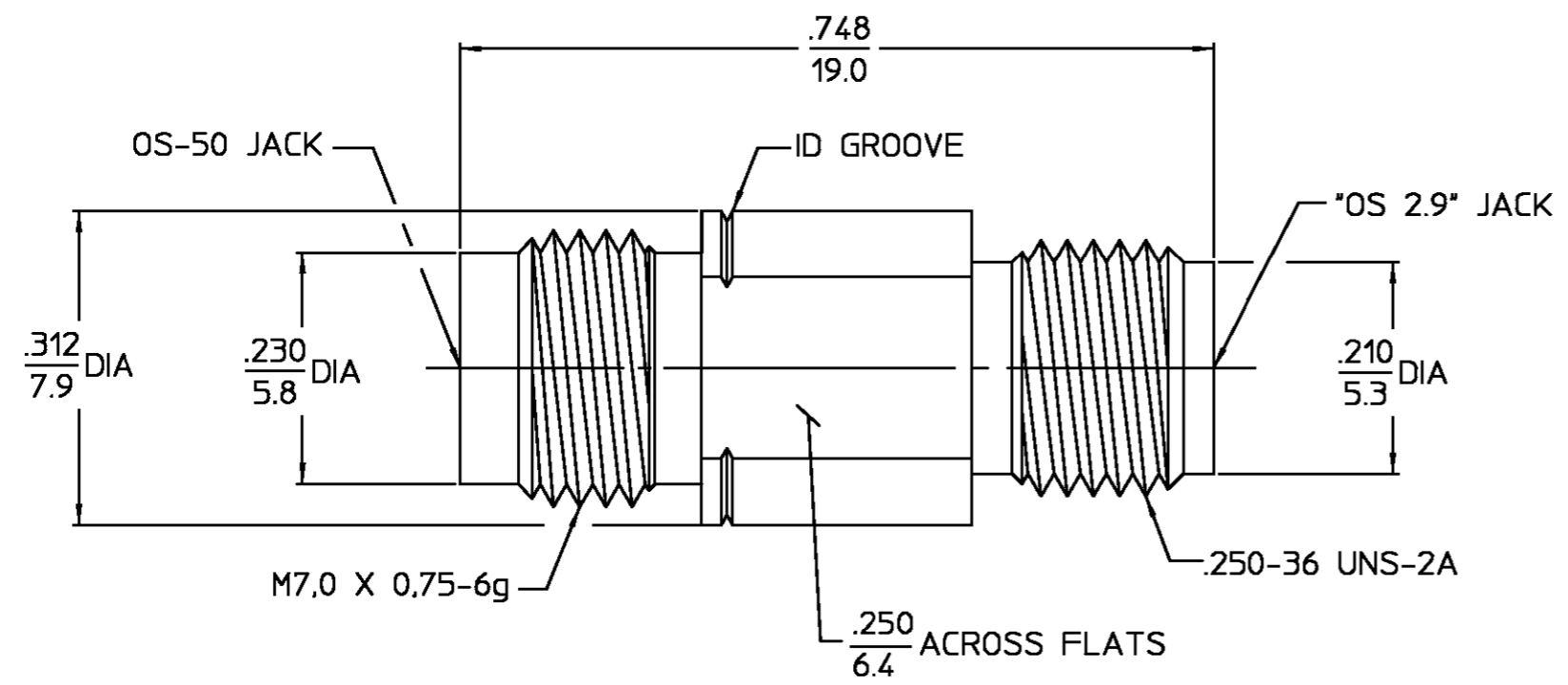


REVISIONS			
REV	DESCRIPTION	DATE	APPROVED
01 ₁	REVISED	10/19/95	DCpm 4/5/96



HOUSING	STAINLESS STEEL PER ASTM-A484 AND ASTM-A582, TYPE 303	PASSIVATE PER QQ-P-35
DIELECTRIC	TFE FLUOROCARBON PER ASTM-D-1457	N/A
CENTER CONTACT	BERYLLIUM COPPER PER ASTM-B-196 OR ASTM-B-197, ALLOY C17300, CONDITION H	GOLD PLATE PER MIL-G-45204
COMPONENT	MATERIAL	FINISH

UNLESS OTHERWISE SPECIFIED DIMENSIONS ARE IN INCHES TOLERANCE ON FRAC. DEC. ANGLES ± 1/64 ± .005 ± 1°	DRAWN BY RMF DATE 2/2/95	AMP Incorporated 140 Fourth Avenue Waltham, MA 02451-7599
	CHECKED BY	
These drawings and specifications are the property of M/A-COM incorporated and shall not be reproduced or copied or used in whole or in part as the basis for the manufacture or sale of item(s) without written permission.	APP'D BY RMF DATE 2/2/95	TITLE OS-50 JACK TO "OS 2.9" JACK
	USE ASSY PROCEDURE	
	NO. AP. N/A	SIZE B CODE IDENT NO. 26805 1250-2187-02 REV 01 ₁
	SCALE 6:1	SHEET 1 OF 1

NOTES:
1. CAPTURED CENTER CONTACT

.XXX = in
XX.X = mm

DESIGN CONTROL REQUIRED

CUSTOMER DRAWING

AMP PART # 1046295-1
SHEET 1 OF 1 REV A