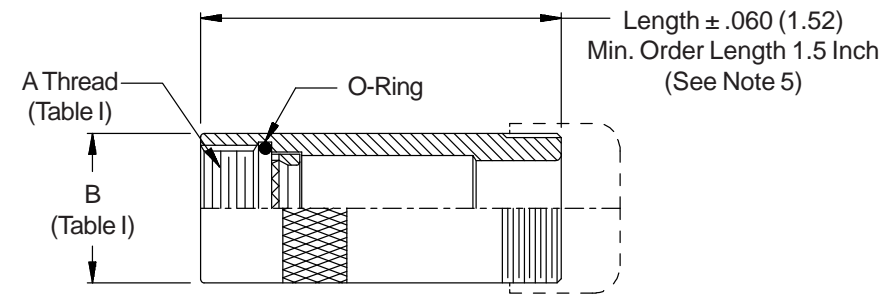
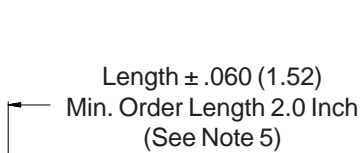
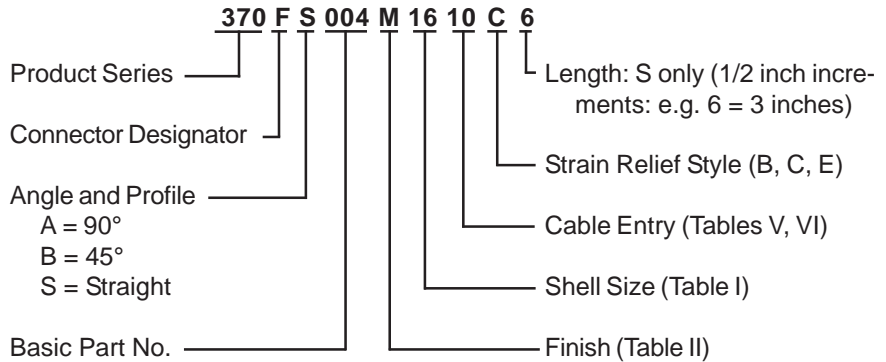
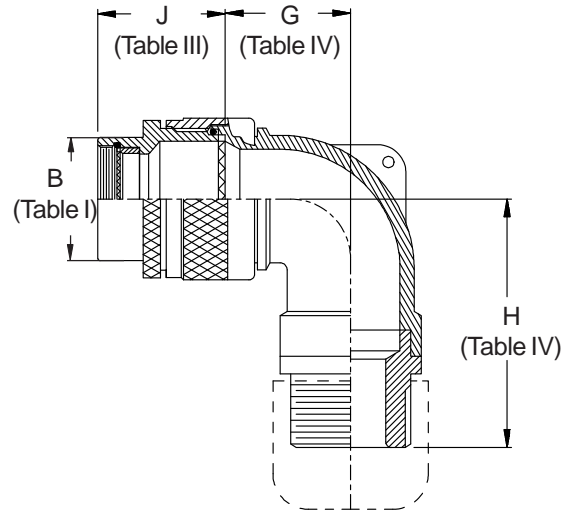
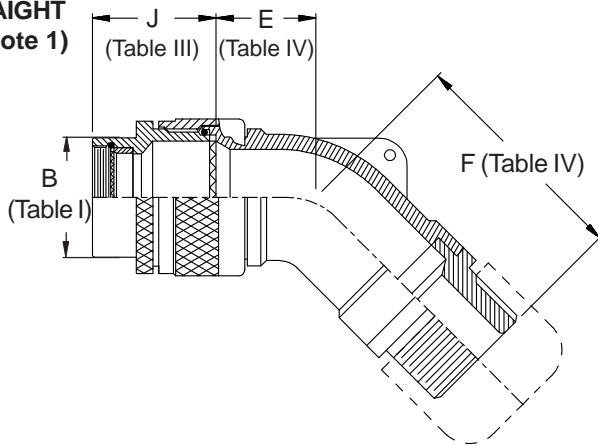


**CONNECTOR DESIGNATORS**  
**A-B\*-C-D-E-F**  
**G-H-J-K-L-S**  
 \* Conn. Desig. B See Note 6  
**DIRECT COUPLING**



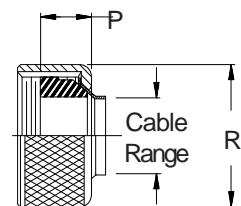
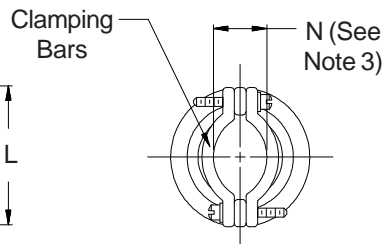
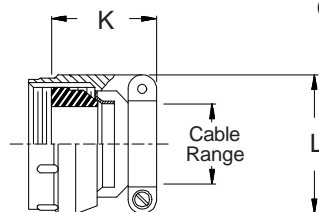
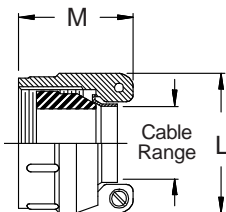
**STYLE 2**  
**(STRAIGHT)**  
 See Note 1)



**STYLE B**  
 (Table V)

**STYLE C**  
 Medium Duty  
 (Table V)

**STYLE E**  
 Medium Duty  
 (Table VI)



**370-004**  
**Water-Tight Cable Sealing Backshell**  
with Strain Relief  
Low Profile - Direct Coupling



**TABLE III: FRONT ADAPTER**

| Shell Size | J Max - Conn. Designator |              |              |
|------------|--------------------------|--------------|--------------|
|            | A-E-F                    |              |              |
|            | J-H-L-S                  | D-B-G-K      | C            |
| 08/09      | 1.180 (30.0)             | 1.440 (36.6) |              |
| 10/11      | 1.180 (30.0)             | 1.440 (36.6) |              |
| 12/13      | 1.180 (30.0)             | 1.440 (36.6) | 1.735 (44.1) |
| 14/15      | 1.180 (30.0)             | 1.440 (36.6) | 1.915 (48.6) |
| 16/17      | 1.380 (35.0)             | 1.560 (39.6) | 1.915 (48.6) |
| 18/19      | 1.380 (35.0)             | 1.560 (39.6) | 1.915 (48.6) |
| 20/21      | 1.380 (35.0)             | 1.560 (39.6) | 1.915 (48.6) |
| 22/23      | 1.380 (35.0)             | 1.560 (39.6) | 1.915 (48.6) |
| 24/25      | 1.380 (35.0)             | 1.560 (39.6) | 1.915 (48.6) |
| 28/29      | 1.610 (40.9)             | 1.560 (39.6) | 1.915 (48.6) |
| 32/33      | 1.610 (40.9)             | 1.750 (44.5) | 1.915 (48.6) |
| 36         | 1.610 (40.9)             | 1.750 (44.5) | 1.915 (48.6) |
| 40         | 1.610 (40.9)             | 2.190 (55.6) | 1.915 (48.6) |

See inside back cover  
fold-out or pages 13 and  
14 for Tables I and II.

**TABLE IV: ELBOW DIMENSIONS**

| Elbow Size | E            | F            | G            | H            |
|------------|--------------|--------------|--------------|--------------|
|            | Max          | Max          | Max          | Max          |
| 04         | .567 (14.4)  | 1.187 (30.1) | .636 (16.2)  | 1.200 (30.5) |
| 06         | .630 (16.0)  | 1.250 (31.8) | .710 (18.0)  | 1.320 (33.5) |
| 08         | .692 (17.6)  | 1.312 (33.3) | .731 (18.6)  | 1.340 (34.0) |
| 10         | .755 (19.2)  | 1.655 (42.0) | .825 (21.0)  | 1.660 (42.2) |
| 12         | .848 (21.5)  | 1.765 (44.8) | .988 (25.1)  | 1.750 (44.5) |
| 16         | 1.036 (26.3) | 1.952 (49.6) | 1.087 (27.6) | 1.925 (48.9) |
| 20         | 1.130 (28.7) | 2.098 (53.3) | 1.325 (33.7) | 2.033 (51.6) |
| 24         | 1.255 (31.9) | 2.155 (54.7) | 1.337 (34.0) | 2.200 (55.9) |
| 28         | 1.317 (33.5) | 2.250 (57.2) | 1.827 (46.4) | 2.450 (62.2) |
| 32         | 1.348 (34.2) | 2.343 (59.5) | 2.027 (51.5) | 2.450 (62.2) |

**TABLE V: CABLE ENTRY**

| Dash No. | K            | L            | N            | Cable Range  |              | M            |
|----------|--------------|--------------|--------------|--------------|--------------|--------------|
|          | Max          | Max          | Ref          | Min          | Max          | Max          |
| 03       | 1.219 (31.0) | .812 (20.6)  | .135 (3.4)   | .156 (4.0)   | .219 (5.6)   | 1.031 (26.2) |
| 04       | 1.219 (31.0) | .937 (23.8)  | .203 (5.2)   | .188 (4.8)   | .312 (7.9)   | 1.031 (26.2) |
| 06       | 1.219 (31.0) | 1.062 (27.0) | .285 (7.2)   | .281 (7.1)   | .438 (11.1)  | 1.031 (26.2) |
| 08       | 1.219 (31.0) | 1.188 (30.2) | .350 (8.9)   | .312 (7.9)   | .531 (13.5)  | 1.031 (26.2) |
| 10       | 1.281 (32.5) | 1.312 (33.3) | .390 (9.9)   | .375 (9.5)   | .625 (15.9)  | 1.094 (27.8) |
| 12       | 1.281 (32.5) | 1.562 (39.7) | .460 (11.7)  | .500 (12.7)  | .750 (19.1)  | 1.219 (31.0) |
| 16       | 1.406 (35.7) | 1.750 (44.5) | .510 (13.0)  | .625 (15.9)  | .938 (23.8)  | 1.219 (31.0) |
| 20       | 1.656 (42.1) | 2.250 (57.2) | .695 (17.7)  | .938 (23.8)  | 1.250 (31.8) | 1.344 (34.1) |
| 24       | 1.906 (48.4) | 2.375 (60.3) | .715 (18.2)  | 1.000 (25.4) | 1.375 (34.9) | 1.547 (39.3) |
| 28       | 1.906 (48.4) | 2.625 (66.7) | .915 (23.2)  | 1.250 (31.8) | 1.625 (41.3) | 1.547 (39.3) |
| 32       | 2.000 (50.8) | 2.812 (71.4) | 1.070 (27.2) | 1.500 (38.1) | 1.875 (47.6) | 1.734 (44.0) |

**TABLE VI: CABLE ENTRY**

| Dash No. | P            | R            | Cable Range  |              |
|----------|--------------|--------------|--------------|--------------|
|          | Max          | Max          | Min          | Max          |
| 03       | .739 (18.8)  | .812 (20.6)  | .156 (4.0)   | .219 (5.6)   |
| 04       | .739 (18.8)  | .937 (23.8)  | .188 (4.8)   | .312 (7.9)   |
| 06       | .739 (18.8)  | 1.062 (27.0) | .281 (7.1)   | .438 (11.1)  |
| 08       | .739 (18.8)  | 1.188 (30.2) | .312 (7.9)   | .531 (13.5)  |
| 10       | .791 (20.1)  | 1.312 (33.3) | .375 (9.5)   | .625 (15.9)  |
| 12       | .880 (22.4)  | 1.562 (39.7) | .500 (12.7)  | .750 (19.1)  |
| 16       | .901 (22.9)  | 1.750 (44.5) | .625 (15.9)  | .938 (23.8)  |
| 20       | 1.031 (26.2) | 2.250 (57.2) | .938 (23.8)  | 1.250 (31.8) |
| 24       | 1.250 (31.8) | 2.375 (60.3) | 1.000 (25.4) | 1.375 (34.9) |
| 28       | 1.250 (31.8) | 2.625 (66.7) | 1.250 (31.8) | 1.625 (41.3) |
| 32       | 1.312 (33.3) | 2.812 (71.4) | 1.500 (38.1) | 1.875 (47.6) |

1. When maximum cable entry (page 22) is exceeded, Style 2 will be supplied. Function S only.
2. Metric dimensions (mm) are indicated in parentheses.
3. Saddles are bottomed on Clamp Ears.
4. Cable range is defined as the accommodations range for the wire bundle or cable. Dimensions shown are not intended for inspection criteria.
5. Consult factory for shorter lengths on straight backshells.
6. When using Connector Designator B refer to pages 18 and 19 for part number development.