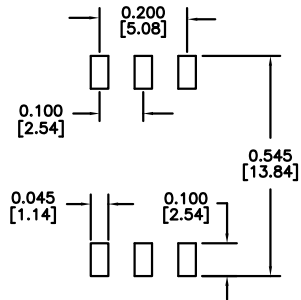
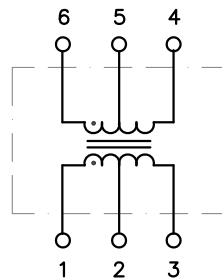


DIMENSIONS: Inch [mm]
 CO-PLANARITY: 0.004 [0.10]
 TOLERANCES: ±0.005 INCH IF NOT SPECIFIED



RECOMMENDED SOLDER PAD DIM



PART NUMBER: TGR04-6506V6LF

SMD ISOLATION TRANSFORMER

COMPATIBLE TO AUTOMOTIVE VERSION –
 TGR04-A6506NA6NL

LEAD-FREE/RoHS COMPLIANT

COMPATIBLE TO LEAD-FREE SOLDERING PROCESS
 CONDITION PER IPC/JEDEC J-STD-020C

UL60950 REINFORCED INSULATION FOR
 WORKING VOLTAGE UP TO 300V

OPERATING TEMPERATURE -40/+125°C

ELECTRICAL SPECIFICATIONS @25°C

URNS RATIO
 P1-3:P6-4

1CT:1CT ±2%

OCL P1-3 (-40/+125°C)

150µH min

DCR P1-3

0.8Ω max

Cw/w

25pF max

LL P1-3

0.6µH max

ISOLATION

3,000Vrms



HALO/PBL

CALIFORNIA, USA
 KOWLOON, HONG KONG
 SINGAPORE

TITLE	ISOLATION TRANSFORMER		SIGNATURES	DATE	REV.	DESC.	DATE
FOR	BMS		DRAWN	LI ZHI ZHONG	3/25/13	A	FIRST ISSUE
PART NO.	TGR04-6506V6LF		CHECKED	LEI KEONG	4/7/16	B	REV. P/N - NL
SCALE	NONE	PAGE	1 OF 1	APPROVED	PETER LU	4/7/16	C
				FILE	TGR04-6506V6LF.DWG	D	PROD. RELEASE