



Feature -

bi-color LED illuminated available
SPST, lock / non-lock function

Application -

computer products
office appliance
communication equipments

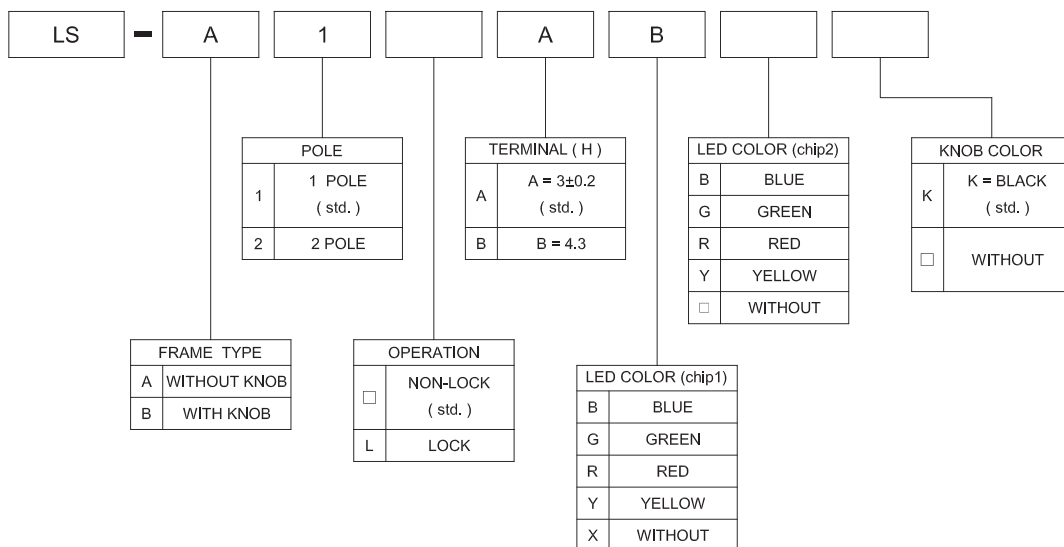
► SPECIFICATIONS

SWITCH SPECIFICATIONS	
POLE - POSITION	Momentary Type , LOCK Type with LED
CONTACT RATING	36 V DC , 0.2 A
CONTACT RESISTANCE	40 mΩ MAX. 1.5 V DC ; 100 mA , by Method of Voltage DROP
INSULATION RESISTANCE	100 MΩ MIN. 500 V DC
DIELECTRIC STRENGTH	Breakdown is not Allowable ; 500 V AC for 1 Minute
OPERATING FORCE	200 ± 100 gf
OPERATING LIFE	10,000 cycles
OPERATING TEMPERATURE RANGE	-20°C ~ 70°C
TOTAL TRAVEL	FULL TRAVEL : 2.2 ± 0.3 mm CONTACT TRAVEL : 1.6 ± 0.3 mm

LED SPECIFICATIONS		Value / LED Color				
	Unit	Blue	Green	Red	Yellow	
		ATTENTION (+) ○ — (−) ○ (+) LEDs are Electrostatic Sensitive devices				
FORWARD CURRENT	If	mA	20	20	20	20
REVERSE VOLTAGE	Vr	V	5.0	5.0	5.0	5.0
REVERSE CURRENT	Ir	μA	10	10	10	10
FORWARD VOLTAGE@20mA	Vf	V	3.3-4.0	2.1-2.5	2.0-2.5	2.0-2.5
LUMINOUS INTENSITY@20mA	Iv	mcd	1300	700	900	700

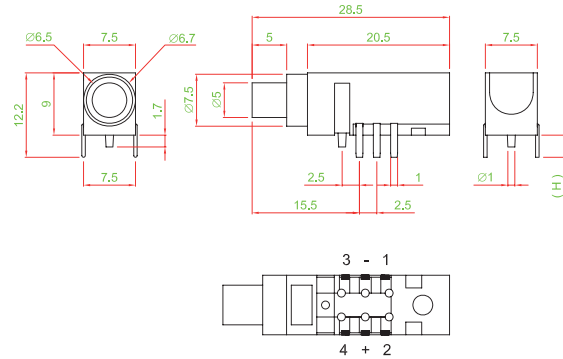
■ Physical and electrical information of LED will be provided upon customer's request on switches .

► HOW TO ORDER

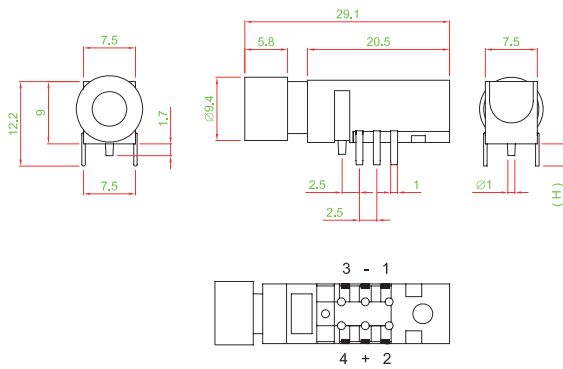


▶ DIMENSION

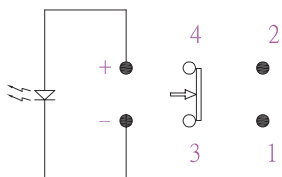
LS - A1A □ □



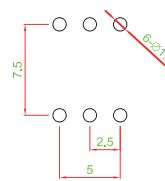
LS - B1A □ □ K



▶ SCHEMATIC



▶ P.C.B LAYOUT



▶ MATERIAL

- COVER : PA + GF
- BASE FRAME : PA + GF
- ACTUATOR : PA + GF
- TERMINAL : SILVER PLATING , GOLD PLATED