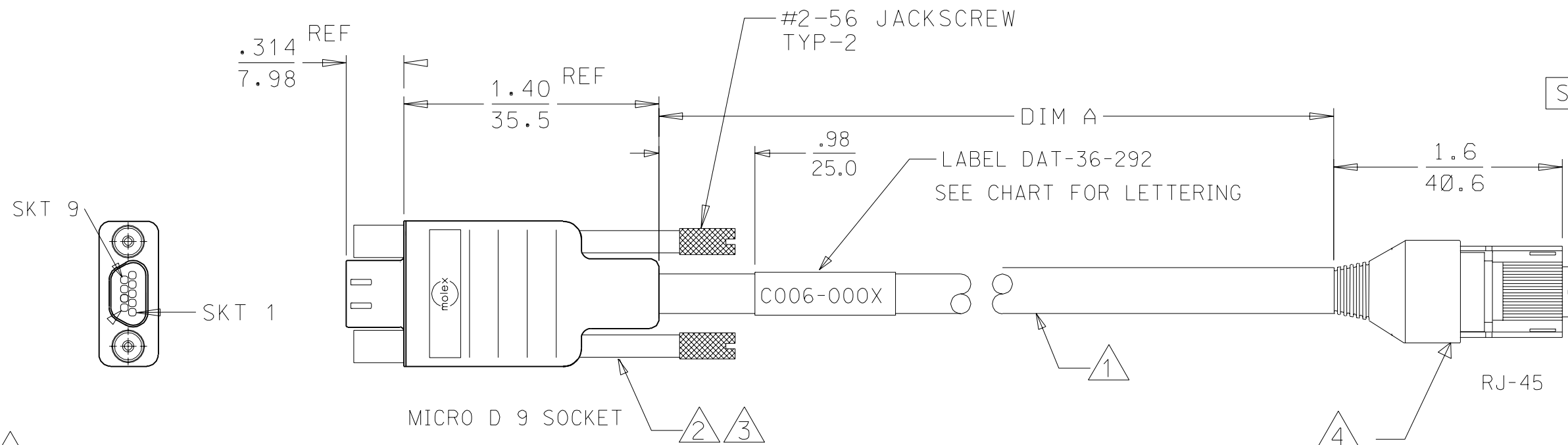
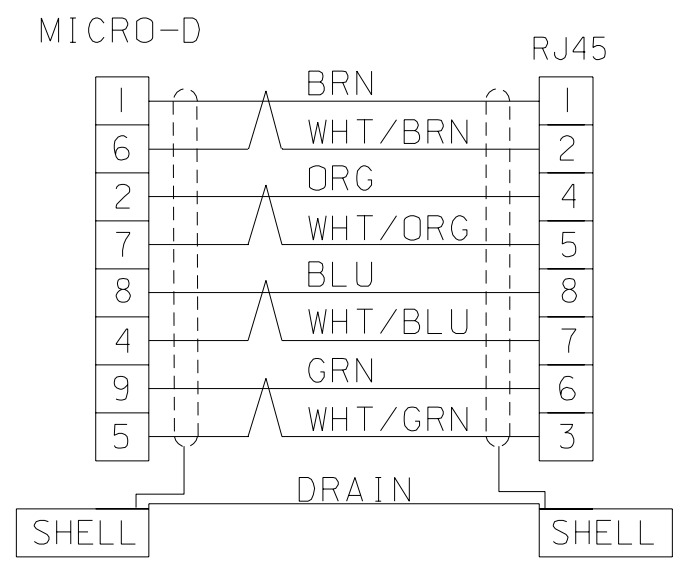


MATERIAL NO.	ENGINEERING NO.	DIM A	TOLERANCE	LABEL PRINT
834219224	83421-9224	4ft+/1200mm	+1.89-.945/+48-24mm	C006-0001
834219225	83421-9225	32.8ft+/10m	+4.0-2.5/+100-63.mm	C006-0002
834219226	83421-9226	9.85ft+/3m	+2.36-1.89/+60-48mm	C006-0003



- 4. MODULAR PLUG ASSEMBLY  
SHIELDED RJ-45 8P8C  
WITH 50 MICRO INCH GOLD PLATING  
WITH S/R BOOT
- 3. REFER TO PS-83421-9000 FOR PRODUCT SPEC.
- 2. MICRO-D, 9 SOCKET FEMALE CONNECTOR (CRIMP TYPE)  
CONTACTS: BRASS ALLOY, 30 MICRO INCH GOLD PLATED.  
INSULATOR: PVC OVERMOLD, COLOR: BLACK.  
WITH (2) #2-56 JACKSCREWS
- 1. CABLE: CAT 5E 26AWG 4 PAIR & DRAIN WIRE  
8 CONDUCTOR, TINNED COPPER, 7 STRAND.  
WIRE INSULATION: PVC  
SHIELD: AL-FOIL/MYLAR. INCLUDING DRAIN WIRE & BRAID  
OUTER CABLE JACKET: BLACK PVC.

NOTES: UNLESS OTHERWISE SPECIFIED.

RESTRICTED SALES DRAWING

(A1)

CHNG TO SD IN MIDAS EC NO. ETC2004-0077 DRWN: EMF 03/09/26 CHK: HEB 03/09/26 APPR: RSD 03/09/26	QUALITY SYMBOLS	GENERAL TOLERANCES: (UNLESS SPECIFIED)	SCALE NO:NE	DESIGN UNITS	THIRD ANGLE PROJECTION	DIMENSIONS:	SHT	REV
	MAJOR = 0	mm INCH	NO:NE	mm INCH	THIRD ANGLE PROJECTION	mm INCH mm ONLY		
	CRITICAL C = 0	4 PLACES ±0. ±.	DRAWN BY & DATE	JAL 03/04/07	TITLE: CABLE ASSEMBLY			
		3 PLACES ±0. ±.005	CHECKED BY & DATE	/ /	9 SKT MICRO D TO 8 POS. MOD. PLUG ASSY W/OVERMOLD			
	2 PLACES ±0.13 ±.010	APPROVED BY & DATE	RWD 03/04/10	MOLEX INCORPORATED				
	1 PLACE ±0.25 ±.	CAD FILENAME	RSD-83421-024DGN	MATERIAL NO. SEE CHART	DRAWING NO. RSD-83421-024	SHEET NO. 1 OF 1		
	ANGULAR: ±2 °	DRAFT WHERE APPLICABLE MUST REMAIN WITHIN DIMENSIONS		THIS DRAWING CONTAINS INFORMATION THAT IS PROPRIETARY TO MOLEX INCORPORATED AND SHOULD NOT BE USED WITHOUT WRITTEN PERMISSION.		SIZE B		