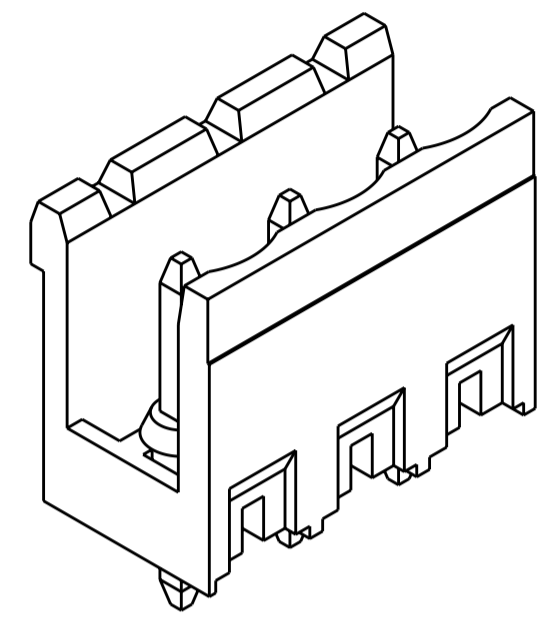
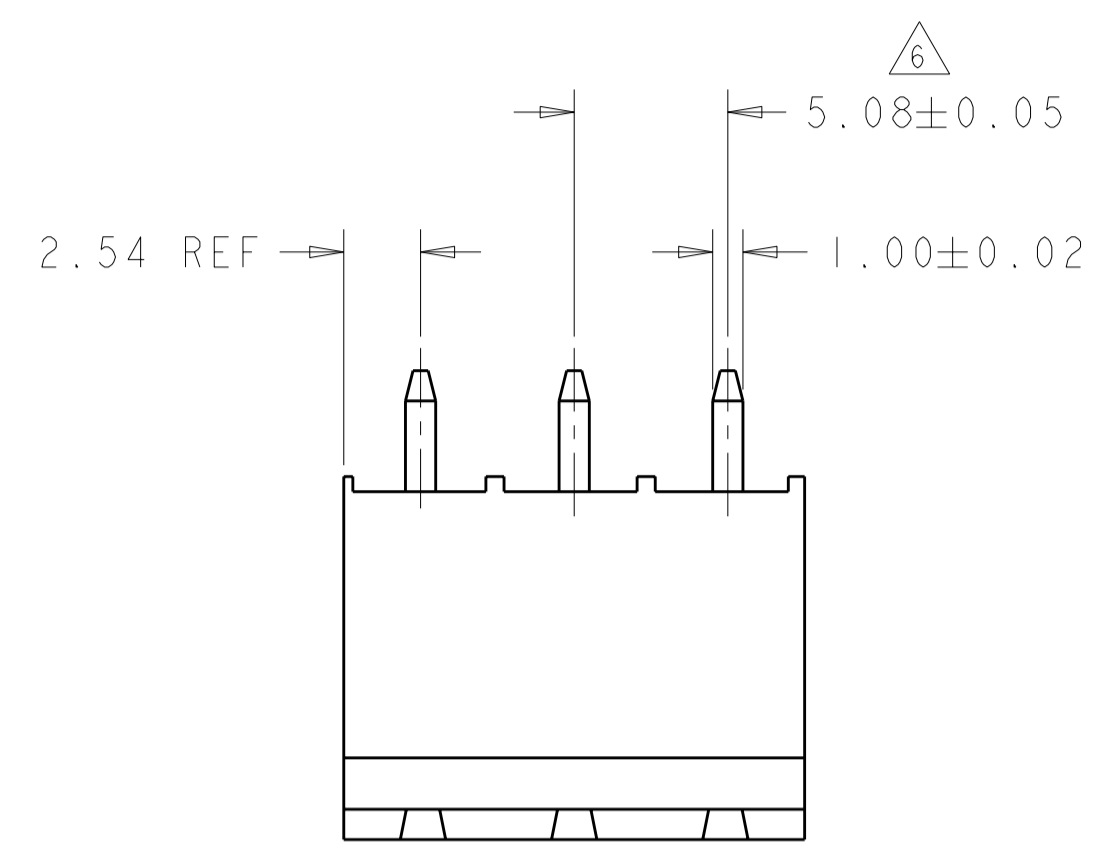


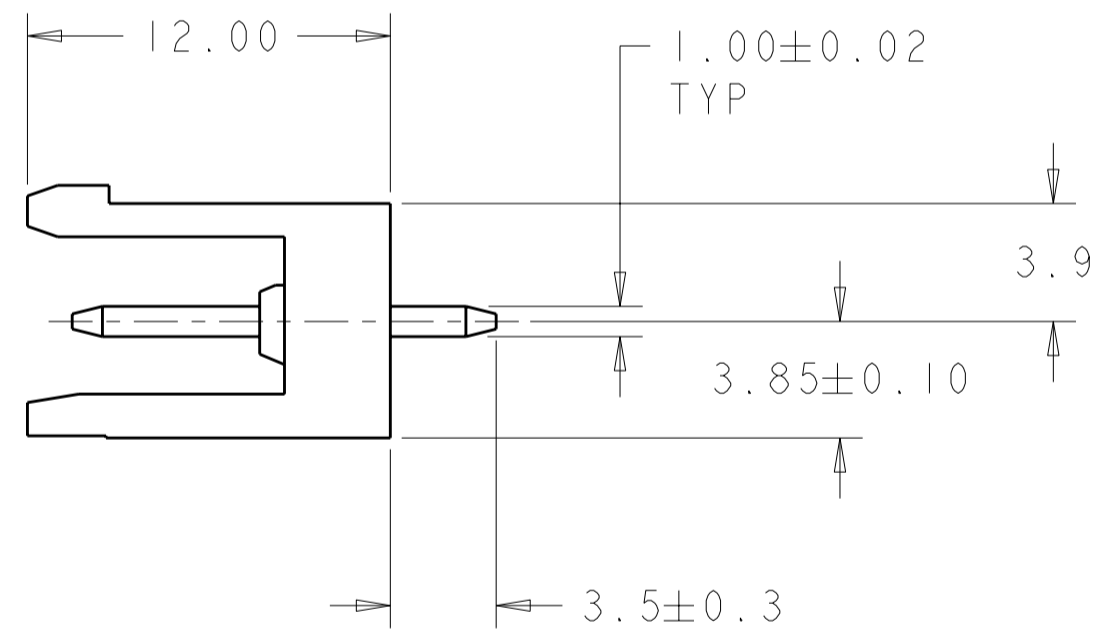
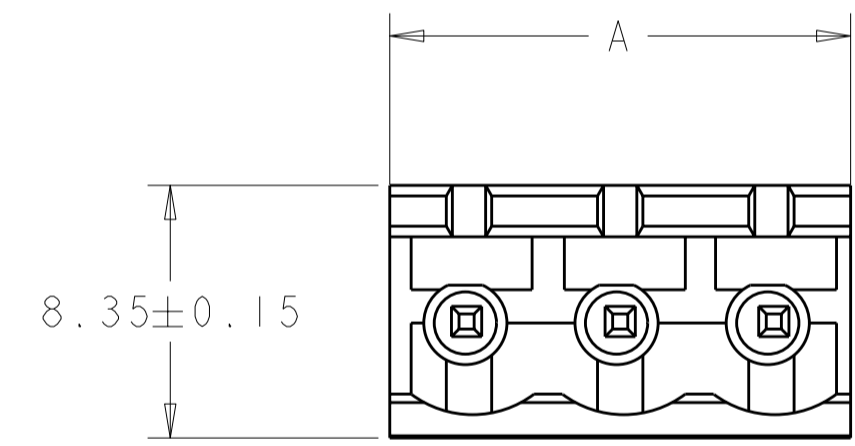
THIS DRAWING IS UNPUBLISHED. RELEASED FOR PUBLICATION 20
 © COPYRIGHT 20 Tyco Electronics AMP GmbH ALL RIGHTS RESERVED.

LOC	DIST	REVISIONS			
P	LTR	DESCRIPTION	DATE	DWN	APVD
FT	0	AI	REVISED PER ECO-12-007964	02MAY2012	KH MS

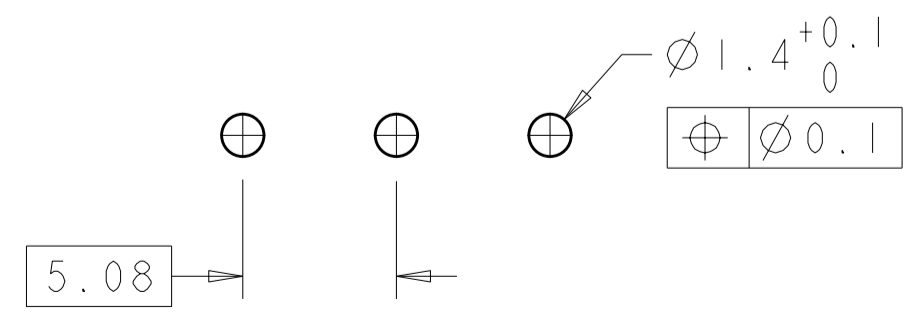


- △ MATERIALS AND FINISH:
 HOUSING: PA 6-6, UL 94-V0, COLOR GRAY.
 TERMINAL: COPPER ALLOY, FINISH: TIN PLATED.
- SUITABLE FOR 1,6-2,4mm PC BOARD THICKNESS.
 - END-TO-END STACKABLE WITHOUT LOSS OF CENTERLINE SPACING.
 - RECOGNIZED UNDER THE COMPONENT PROGRAM OF UNDERWRITERS LABORATORIES INC. FILE N°E60677.
 - IMQ CERTIFICATE WITH SURVEILLANCE IN CONFORMITY WITH IEC 998-1/998-2-1.
 - NOT CUMULATIVE TOLERANCE.

1546213-3 AS SHOWN



127.00	25	2-1546213-5
121.92	24	2-1546213-4
116.84	23	2-1546213-3
111.76	22	2-1546213-2
106.68	21	2-1546213-1
101.60	20	2-1546213-0
96.52	19	1-1546213-9
91.44	18	1-1546213-8
86.36	17	1-1546213-7
81.28	16	1-1546213-6
76.20	15	1-1546213-5
71.12	14	1-1546213-4
66.04	13	1-1546213-3
60.96	12	1-1546213-2
55.88	11	1-1546213-1
50.80	10	1-1546213-0
45.72	9	1546213-9
40.64	8	1546213-8
35.56	7	1546213-7
30.48	6	1546213-6
25.40	5	1546213-5
20.32	4	1546213-4
15.24	3	1546213-3
10.16	2	1546213-2
A	NO OF POSN	PART NUMBER



RECOMMENDED PC BOARD LAYOUT

THIS DRAWING IS A CONTROLLED DOCUMENT.

DIMENSIONS:	TOLERANCES UNLESS OTHERWISE SPECIFIED:	DWN S. WELDON 02JUN2003	TE Connectivity
mm	0 PLC ±	CHK C. RICHARD 02JUN2003	
	1 PLC ±.3	APVD C. RICHARD 02JUN2003	
	2 PLC ±.25	PRODUCT SPEC 108-20166	
	3 PLC ±.	APPLICATION SPEC 114-20079	NAME: TERMINAL BLOCK HEADER ASSEMBLY 180 DEGREE OPEN ENDS, STACKING 5.08mm PITCH
	4 PLC ±.	WEIGHT -	SIZE: A2
MATERIAL	FINISH	CUSTOMER DRAWING	CAGE CODE: 00779
			DRAWING NO: 1546213
			RESTRICTED TO: -
			SCALE: 3:1
			SHEET 1 OF 1
			REV: AI