

PLEASE CHECK WWW.MOLEX.COM FOR LATEST PART INFORMATION

Part Number: [1210120162](#)
Status: **Active**
Overview: mPm DIN Valve Connectors
Description: mPm DIN Base, Form A-18mm, B14 Base, 2 Pole Plus Ground Terminal, 250V AC/DC, Black, Nitrile Gasket with Screw, UL94-V0 Rated

Documents:

[Drawing \(PDF\)](#) [Test Summary STR-1467-001 \(PDF\)](#)
[Packaging Specification PK-121013-B14-001 \(PDF\)](#) [RoHS Certificate of Compliance \(PDF\)](#)

Agency Certification

UL E218123

General

Product Family Field Attachable / Accessories
Series [121012](#)
Form A - 18mm
IP Rating IP65, IP67
Material - Contact Brass
Overview [mPm DIN Valve Connectors](#)
Product Name mPm
Type Field Attachable Connector
UPC 883906719784

Physical

Cable Diameter N/A
Coupling Type N/A
Diagnostics / LEDs No
Diagnostics Port No
Gender N/A
Keyway None
Material - Connector Body Polypropylene
Material - Coupling Nut N/A
Material - Plating Mating Silver
Orientation Straight
Pitch - Mating Interface 18.00mm
Poles 3
Temperature Range - Operating -40°C to +125°C
Wire Size AWG N/A

Electrical

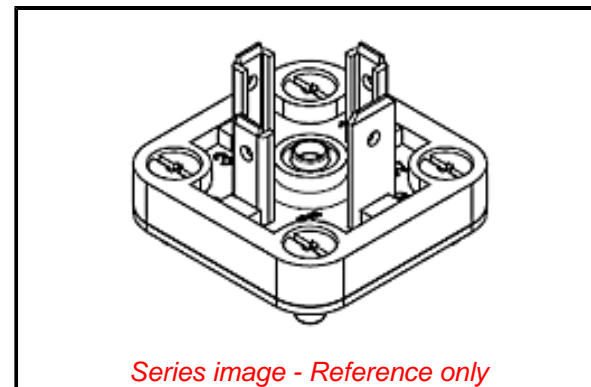
Current - Maximum per Contact 16.0A
Voltage - Maximum 250V AC/DC

Material Info

Engineering Number B143000W2SA

Reference - Drawing Numbers

Packaging Specification PK-121013-B14-001
Sales Drawing SD-121012-001
Test Summary STR-1467-001



Series image - Reference only

EU ELV

Not Relevant

EU RoHS

Compliant with Exemption 6(c)

REACH SVHC

Not Contained Per - ED/108/2014 (17 Dec 2014)

Halogen-Free

Status

Low-Halogen

For more information, please visit [Contact US](#)

China ROHS

50 Image

ELV

Not Relevant

RoHS Phthalates

Not Contained

Search Parts in this Series

[121012 Series](#)