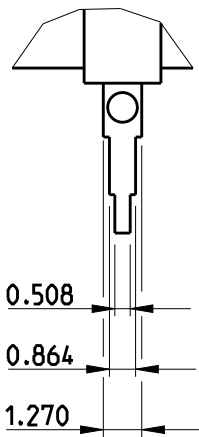
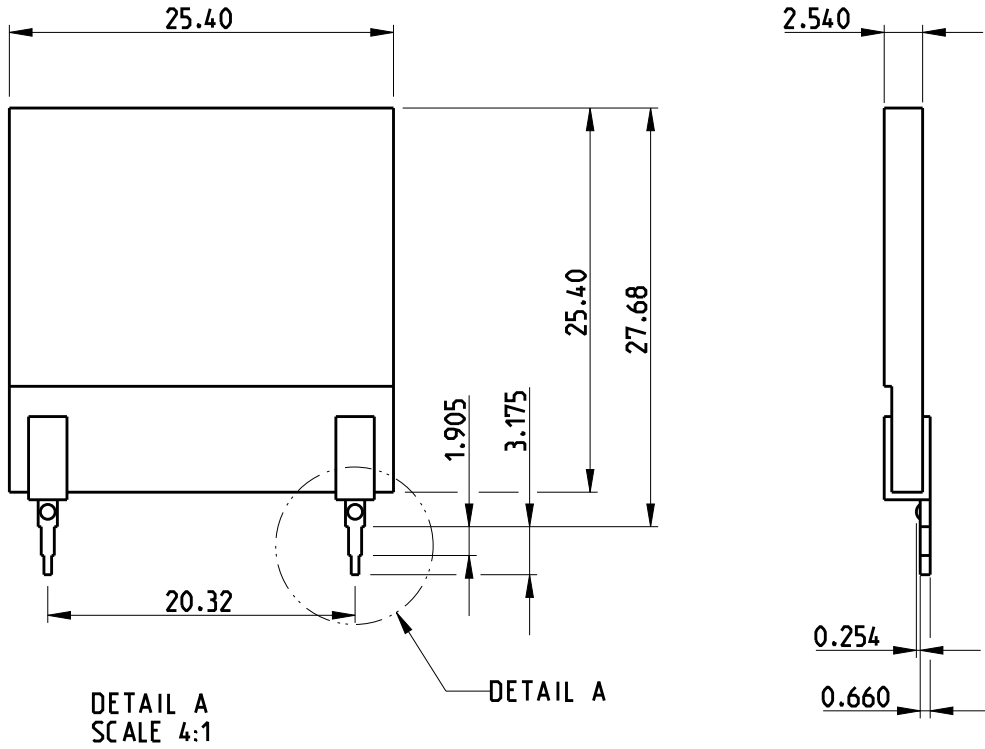
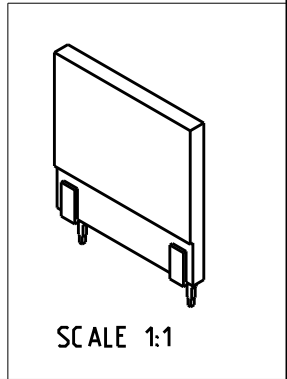


LOC	DIST	REVISIONS					
E	B	P	LTR	DESCRIPTION	DATE	DWN	APVD
			BA	NEW RELEASE	02AUG2012	KR	TN

FOR FURTHER INFORMATION SEE DATA SHEET FOR SERIES MPC - HIGH POWER RESISTORS



RoHS Compliant



2008

RELEASED FOR PUBLICATION

ALL RIGHTS RESERVED.

BY -

© COPYRIGHT 2008

THIS DRAWING IS UNPUBLISHED.

DIMENSIONS:		DWN	02AUG2012	MATERIAL	-	FINISH	-
mm		RAGHAVENDRA K					
TOLERANCES UNLESS OTHERWISE SPECIFIED:		CHK	02AUG2012				
0 PLC	±0.2	ALLAN P		NAME HIGH POWER RESISTORS SERIES MPC 10			
1 PLC	±0.1	APVD	02AUG2012				
2 PLC	±	TONY N		SIZE A 4 CAGE CODE 00779 DRAWING NO C-1623775 RESTRICTED TO -			
3 PLC	±	PRODUCT SPEC	-				
4 PLC	±	APPLICATION SPEC	-	SCALE 2:1 SHEET 1 OF 1 REV BA			
ANGLES	±5°	WEIGHT	-				
		CUSTOMER DRAWING					