



## AOFD-15

## 15W Din Rail Mount



### FEATURES:

- Universal AC input 90~264 VAC and 127~370 VDC
- Flexible Din Rail Mount
- Industrial Temp Range -25 ~ +70°C range
- Rugged Design
- Warranty: 3 years**
- Installation on DIN rail 30mm only
- PFC as standard (180W-240W)
- Over voltage protection
- Over current protection
- LED Indicator for DC power ON
- LED Indicator for DC low



MODEL/CHANNEL		Unit	AOFD15-05	AOFD15-12	AOFD15-24		
<b>OUTPUT</b>	Norminal Voltage	[V]	05	12	24	-	
	Setting Voltage Range	[V]	4.95 ~ 5.05	11.88 ~ 12.12	23.76 ~ 24.24	-	
	Voltage ADJ. Range *note1	[V]	4.5 ~ 5.5	10.8 ~ 13.2	21.6 ~ 26.4	-	
	Current	[A]	2	1.2	0.65	-	
	Current ADJ. Range *note1	[A]	4.16 ~ 6.4	2.6 ~ 4	-	-	
	Line Regulations	[mV]	25	60	120	-	
	Load Regulations	[mV]	50	120	240	-	
	Temperature Drift	[mV]	75	180	360	-	
	Ripple Max.	[mV]	120	120	-	-	
	Ripple & Noise Max 1.	[mV]	80	120	120	-	
	Rated Power	[W]	10.0	14.4	15.6	-	
	Turn-on Time Typ.	[ms]	100 (AC IN 100V, Io=100%)				
Hold-up Time Typ.	[ms]	20 (AC IN 100V, Io=100%)					
<b>INPUT</b>	Voltage, Frequency	[V]	AC100 - 240(AC 90-264, 50/60Hz(47 - 63) or DC127-370V (Universal Input)				
	Current Typ. 110V	[A]	0.45	0.45	0.45	-	
	220V	[A]	0.3	0.3	0.3	-	
	Efficiency Typ. 110V	[%]	74	79	82	-	
	220V	[%]	72	77	79	-	
	Inrush Current Typ. 110V	[A]	20 ( Ta=25°C ,Io=100% at Cold Start )				
220V	[A]	40 ( Ta=25°C ,Io=100% at Cold Start )					
Leakage Current 110V	[mA]	0.35 (Typ.)					
1mA Max. 220V	[mA]	0.75 (Typ.)					
<b>Function</b>	Over Voltage Protection	[V]	115% ~ 140% of rating				
	Over Current Protection[A,AD]	[A]	110% of rating and recovers automatically				
	Short Circuit	[A]	Hiccup mode, recovers automatically after fault condition is removed				
	Cooling / O.T.P	-	Convection cooling				
<b>Electrical Isolation</b>	(1) Input - Output	-	AC 3.0KV 1min, cut-off: 20mA / DC 500V 100MΩ				
	(2) Input - F.G	-	AC 2.0KV 1min, cut-off: 20mA / DC 500V 100MΩ				
	(3) Output - F.G	-	AC 0.5KV 1min, cut-off:100mA / DC 500V 100MΩ				
<b>Environment</b>	Operating temp. & Humidity	-	-40 ~ +70°C(With Derating), 20 ~ 90%RH (Non Condensing)				
	Storage temp. & Humidity	-	-40 ~ +75°C, 20 ~ 90% RH (Non Condensing)				
	Vibration	-	10~55Hz at 1G 3minutes period, 30minutes along X,Y and Z axis				
<b>Dimension</b>	Size(WxHxD) / Weight	mm/g	22.5 x 108 x 95 / 200g				
<b>Safety</b>	-	-	cUL, CE, CB cUL, CE, CB cUL, CE, CB				
<b>Emission</b>	Conducted Emission	-	Complies with EN55011/EN55022-B, FCC-B				

\*note1 : Type A,AD only

\*note2 : Frequency 50/60Hz

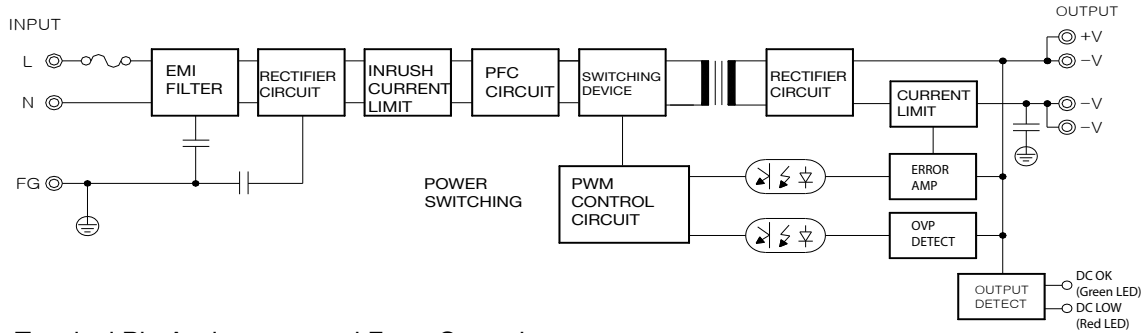




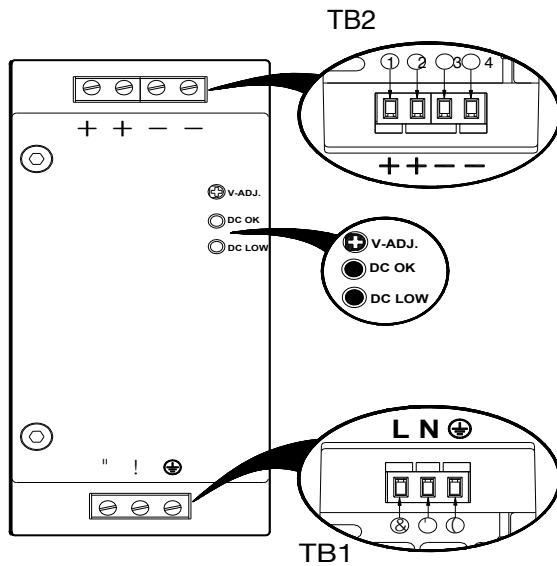
## AOFD-15

## 15W Din Rail Mount

### 1. BLOCK DIAGRAM



### 2. Terminal Pin Assignment and Front Controls



Marking	No.	Assignment
L	①	AC(L) Input Terminals
N	②	AC(N) Input Terminals
⊕	③	AC Grounding Terminal

#### TB2 : Output Terminal Assignment

Marking	No.	Assignment
+	①	DC (+) Output Terminals
+	②	
-	③	DC (-) Output Terminals
-	④	

#### Front Controls Assignment

Marking	Assignment
V-ADJ.	DC Output voltage adjustment
DC OK	DC Output indication LED (Green)
DC LOW	DC Output Low indication LED (Red)

### 3. Connection / Connecting Cable

Terminals	Solid or Stranded Wires		Torque [Nm]	Stripping Length L [mm]
	[mm <sup>2</sup> ]	[AWG]		
Input Terminals	(TB1)	0.5 ~ 2.5	30 ~ 12	0.5~0.6 8
Output Terminals	(TB2)	0.5 ~ 2.5	30 ~ 12	0.5~0.6 8





# ETA-USA

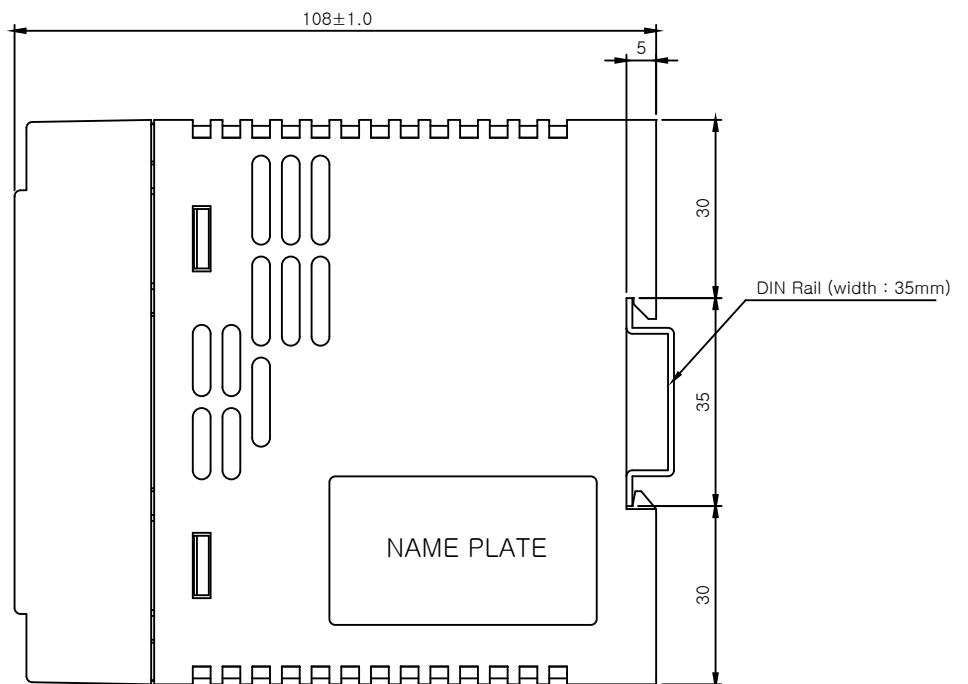
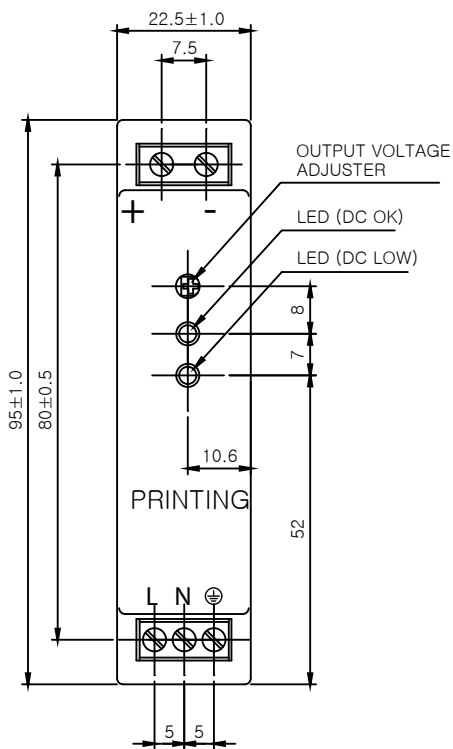
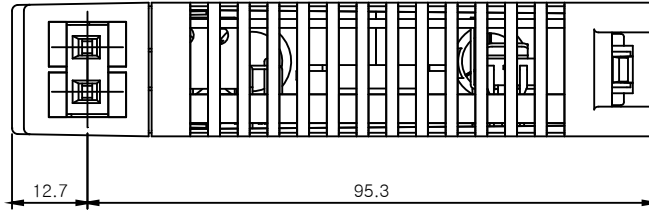
The Power Professionals

## AOFD-15

## 15W Din Rail Mount

### AOFD15-S

- \* Weight : 200g
- \* Tolerance :  $\pm 1$
- \* Dimensions in mm



# ETA-USA

16170 Vineyard Blvd. Suite 180 Morgan Hill, CA 95037 <http://www.eta-usa.com>  
Toll-free (US only): 800-ETA-POWR (800-382-7697) Telephone: 408 778-2793 FAX: 408-779-2753



# ETA-USA

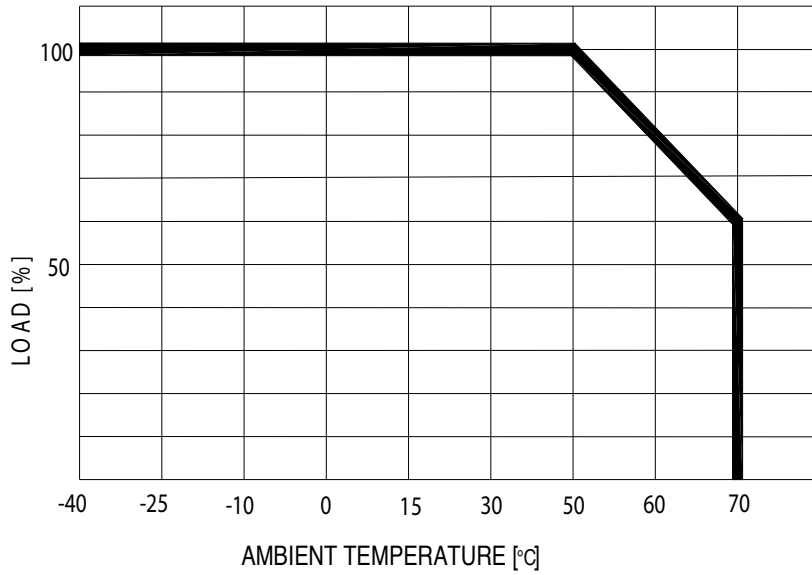
The Power Professionals

**AOFD-15**

**15W Din Rail Mount**

## Output Derating Curve

Note: When using the product between  $-25^{\circ}\text{C} \sim 0^{\circ}\text{C}$ , the output ripple and noise could exceed its specification.



# ETA-USA

16170 Vineyard Blvd. Suite 180 Morgan Hill, CA 95037 <http://www.eta-usa.com>  
Toll-free (US only): 800-ETA-POWR (800-382-7697) Telephone: 408 778-2793 FAX: 408-779-2753