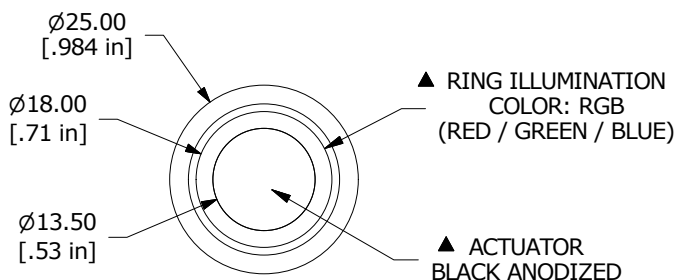
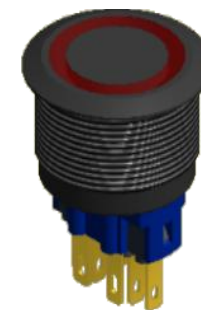


Recommended PANEL CUTOUT
MAX. PANEL THICKNESS 8mm



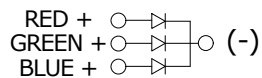
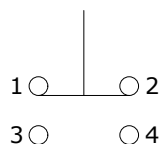
▲ RING ILLUMINATION
COLOR: RGB
(RED / GREEN / BLUE)

▲ ACTUATOR
BLACK ANODIZED



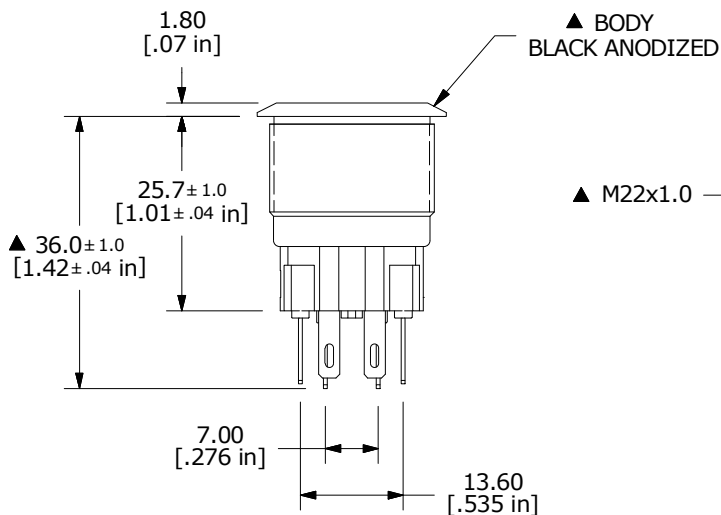
▲ SWITCH FUNCTION

POS. 1	POS. 2
1-2 ON	1-2 (OFF)
3-4 OFF	3-4 (ON)



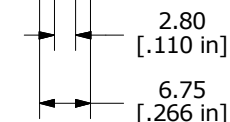
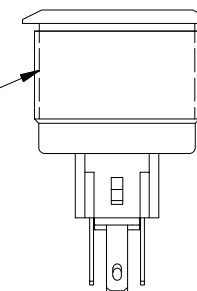
▲ SPDT ON-(OFF) / OFF-(ON)
CONTACT CONFIGURATION
() DENOTES MOMENTARY FUNCTION

() MOMENTARY FUNCTION



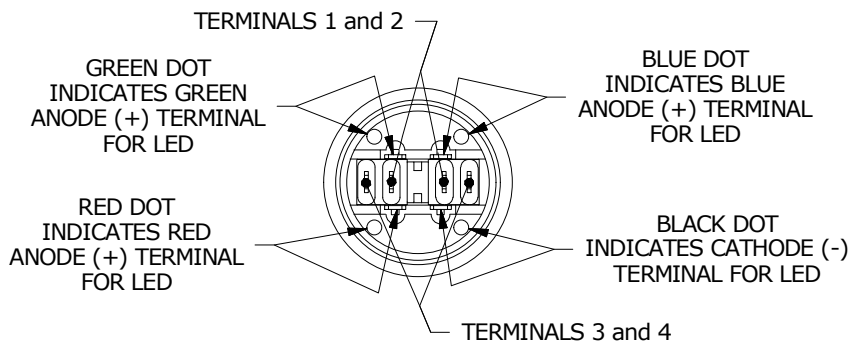
▲ BODY
BLACK ANODIZED

▲ M22x1.0



NOTE:

- ALL DIMENSIONS IN MM [INCH]
- GENERAL TOLERANCE: X.X = ± 0.4
X.XX = ± 0.25
- TERMINAL NOS. FOR REF. ONLY
- RATING: 2A @ 48VDC
- CONTACT RESISTANCE: 50mΩ MAX. @ 1A 12VDC
- INSULATION RESISTANCE: 1,000MΩ @ 500VDC
- DIELECTRIC STRENGTH: 2,000VAC MIN. FOR 1 MINUTE
- ELECTRICAL LIFE: 50,000 CYCLES
- OPERATING TEMPERATURE: -20°C to 55°C
- ACTUATION FORCE: 4N
- TRAVEL: 2.2mm
- INGRESS PROTECTION: IP65
- ▲ DENOTES CRITICAL PARAMETER
- 2011/65/EU (ROHS) COMPLIANT
- ▲ HARDWARE INCLUDED (NOT SHOWN) HEX NUT AND O-RING
- ▲ ILLUMINATION VOLTAGE: 12V



TERMINALS 1 and 2

GREEN DOT
INDICATES GREEN
ANODE (+) TERMINAL
FOR LED

BLUE DOT
INDICATES BLUE
ANODE (+) TERMINAL
FOR LED

RED DOT
INDICATES RED
ANODE (+) TERMINAL
FOR LED

BLACK DOT
INDICATES CATHODE (-)
TERMINAL FOR LED

TERMINALS 3 and 4

REV	PCR NO	DESCRIPTION	DATE	BY
C	22823	update terminal callout	4/27/17	MW
B	22523	UPDATE ACTUATOR AND BODY FINISH	9/22/16	MW
A	22421	New Release	8/3/16	rc



TITLE PV7F2Y011-3R4				
SCALE 1:1	DATE 8/3/2016	DR rc	DWG 52-PV7F2Y0113R4	REV C

THE INFORMATION CONTAINED IN THIS DOCUMENT IS PROPRIETARY TO E-SWITCH AND IS NOT TO BE COPIED OR TRANSFERRED