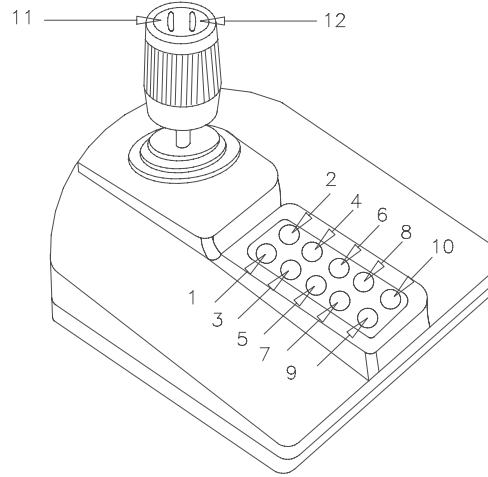


THIS DOCUMENT CONTAINS PROPRIETARY DATA OF POLARIS INDUSTRIAL ENTERPRISES, INC. NO DISCLOSURE, REPRODUCTION, OR USE OF ANY PART THERE OF MAY BE MADE EXCEPT BY

REV.	BY	DATE	P/N	USBDESKTOP

PHYSICAL SPECIFICATIONS

JOYSTICK MODEL ----- JHE13-KC2 SERIES
 JOYSTICK TRAVEL ----- ±18° FROM CENTER
 BREAKOUT FORCE ----- 0.109Nm
 OPERATING FORCE ----- 0.151Nm
 MAXIMUM FORCE ----- 0.169Nm
 OPERATING TEMPERATURE ----- -25°C TO +70°C
 CENTERING ----- SINGLE SPRING, OMNIDIRECTIONAL
 HOUSING ----- HIGH IMPACT GLASS-FILLED NYLON
 BODY COLOR ----- BLACK OR GREY
 LIFE CYCLES ----- 3,000,000



ELECTRICAL SPECIFICATION

SUPPLY VOLTAGE (USB BUS)----- Vdd 5V ±.5V
 SUPPLY CURRENT (USB BUS)----- 32mA MAX

TECHNICAL SPECIFICATIONS

THREE-AXIS, TWO BUTTONS HALL EFFECT JOYSTICK
 DESKTOP HOUSING FEATURES 10 PROGRAMMABLE BUTTONS
 STANDARD USB CONNECTOR AND INTERFACE
 OPTIONAL JOYSTICK/MOUSE COMBINATION SOFTWARE DRIVER

PHYSICAL DIMENSIONS

WIDTH ----- 6.15" (15.6cm)
 LENGTH ----- 6.65" (16.9cm)
 HEIGHT ----- 4.97" (12.6cm)

SOFTWARE DRIVER FEATURES

CREATES A JOYSTICK/MOUSE COMBINATION DEVICE
 CREATES A FOURTH AXIS "R" THAT MAY BE USED FOR SHUTTLE/RECORDER FUNCTION
 ASSIGNS FUNCTIONS TO BUTTONS 1 AND 2
 BUTTON 1 TOGGLES BETWEEN "Z" AND "R" AXES
 BUTTON 2 TOGGLES BETWEEN "JOYSTICK" AND "MOUSE" MODES
 JOYSTICK MODE BUTTONS 3-12 AVAILABLE FOR ASSIGNMENT
 MOUSE MODE
 BUTTONS 11 AND 12 (LEFT AND RIGHT MOUSE BUTTONS)
 BUTTONS 3-10 AVAILABLE FOR ASSIGNMENT

SCALE	DATE: 2-20-07			TITLE	PART NO.
	BY AT				
NONE	APPRV'D				
CODE	IDENT: 19477				