

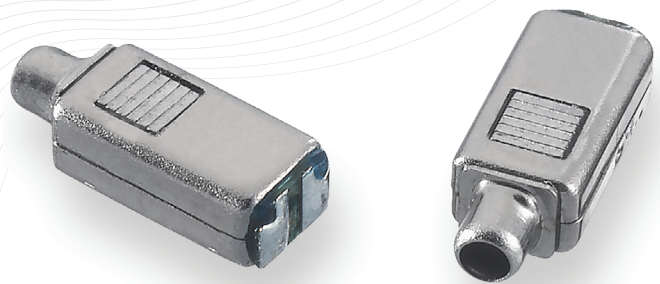
Balanced Armature Driver

WBFK-30095-000

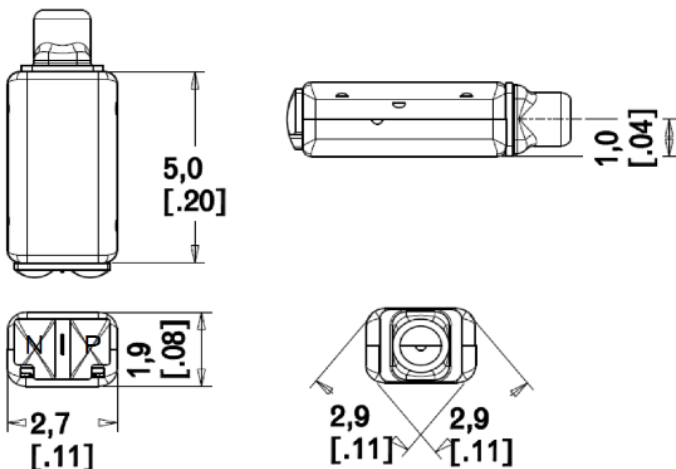
Single Tweeter

Product Features:

- Tuned for high frequency detail
- HD Audio to 40kHz
- Small size
- RoHS compliant



Outline Drawing mm (inches)



Ordering Information:
Model Number: WBFK-30095-000

Phone: (630) 250-5100
Fax: (630) 250-0575
info@knowles.com

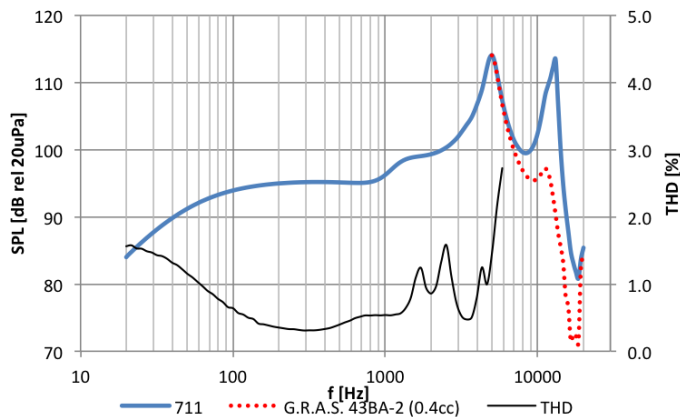
Knowles
1151 Maplewood Drive
Itasca, Illinois 60143

Balanced Armature Driver

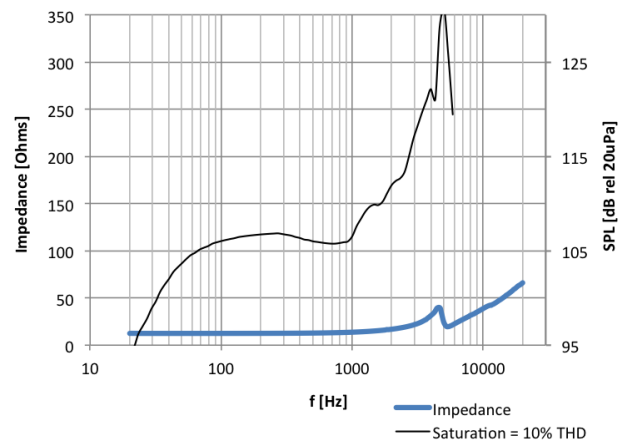
WBFK-30095-000

Single Tweeter

Frequency Response and THD



Impedance and Saturation SPL



Testing Conditions

- using 100mV rms drive signal
- IEC60318-4 (711) coupler with DB2012 adapter
- G.R.A.S. 43BA-2 (0.4cc) with baffle adapter
- THD

Typical Performance at 1kHz

Impedance	13.8	Ohms
Sensitivity to 100mV	96	dB SPL
Sensitivity to 1mW	97	dB SPL
Max SPL ^a	106	dB SPL
THD at 94dB SPL	0.4	%
THD at 100dB SPL	0.7	%

Footnotes:
^a SPL at 10% THD

- Note:
- Ask about custom assembly options (lead wires, customer-specified materials, etc.)
 - To prevent heat damage, follow soldering guidelines in application note AN13 (knowles.com)
 - Measurement data for reference only. Refer to model specification for full dimensions and performance.

Ordering Information:
 Model Number: WBFK-30095-000

Phone: (630) 250-5100
 Fax: (630) 250-0575
 info@knowles.com

Knowles
 1151 Maplewood Drive
 Itasca, Illinois 60143