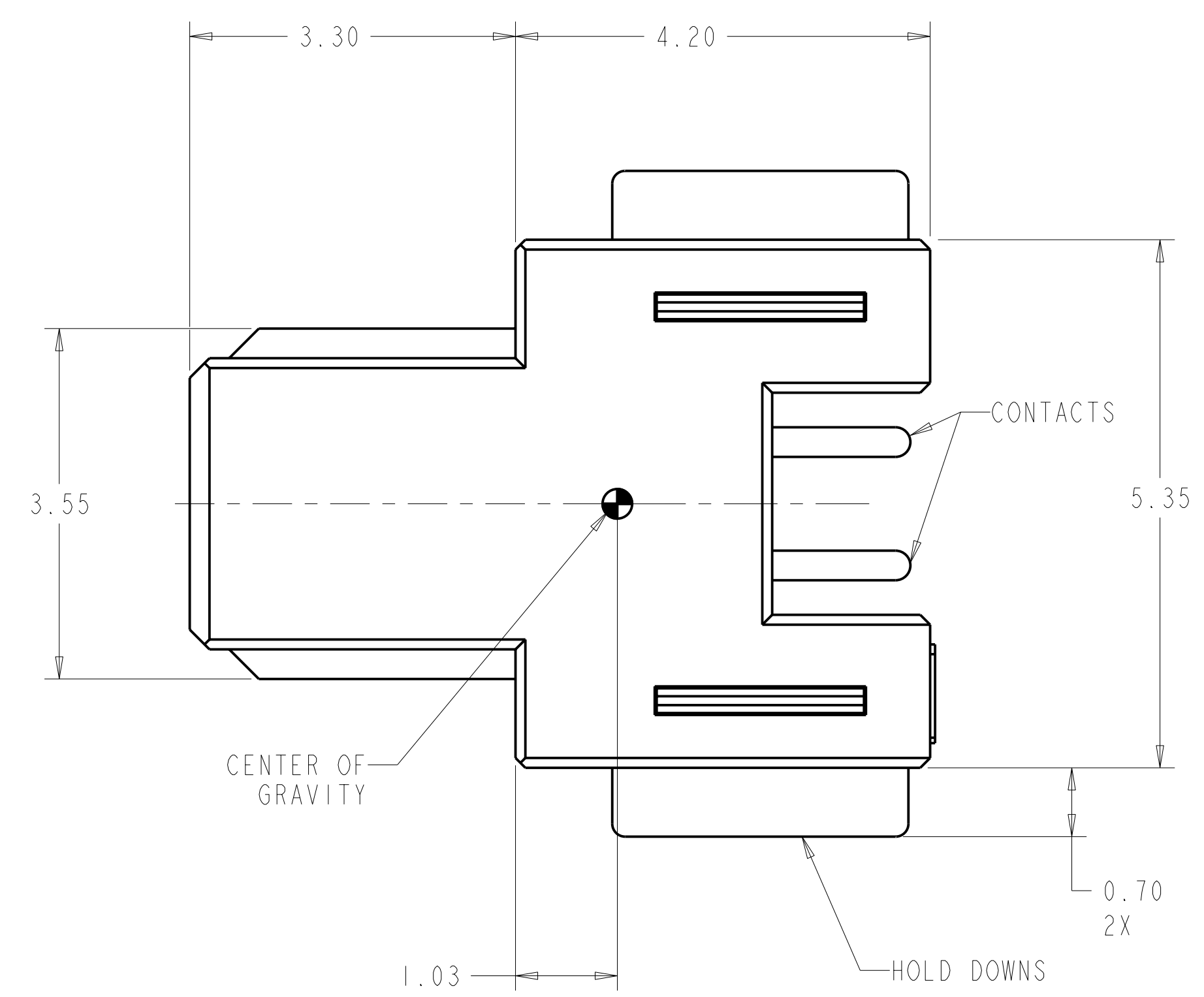
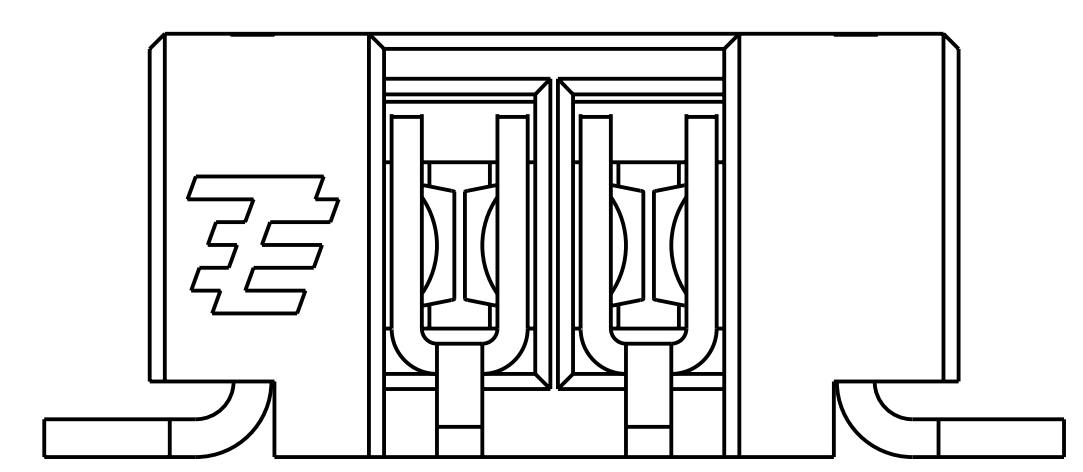
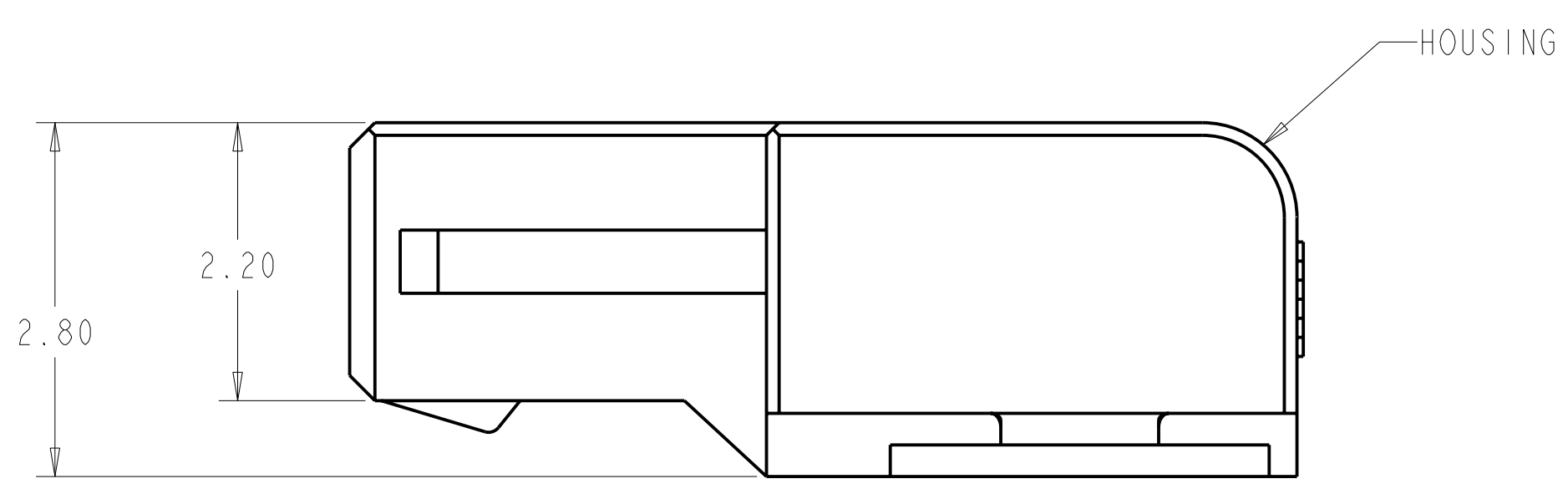
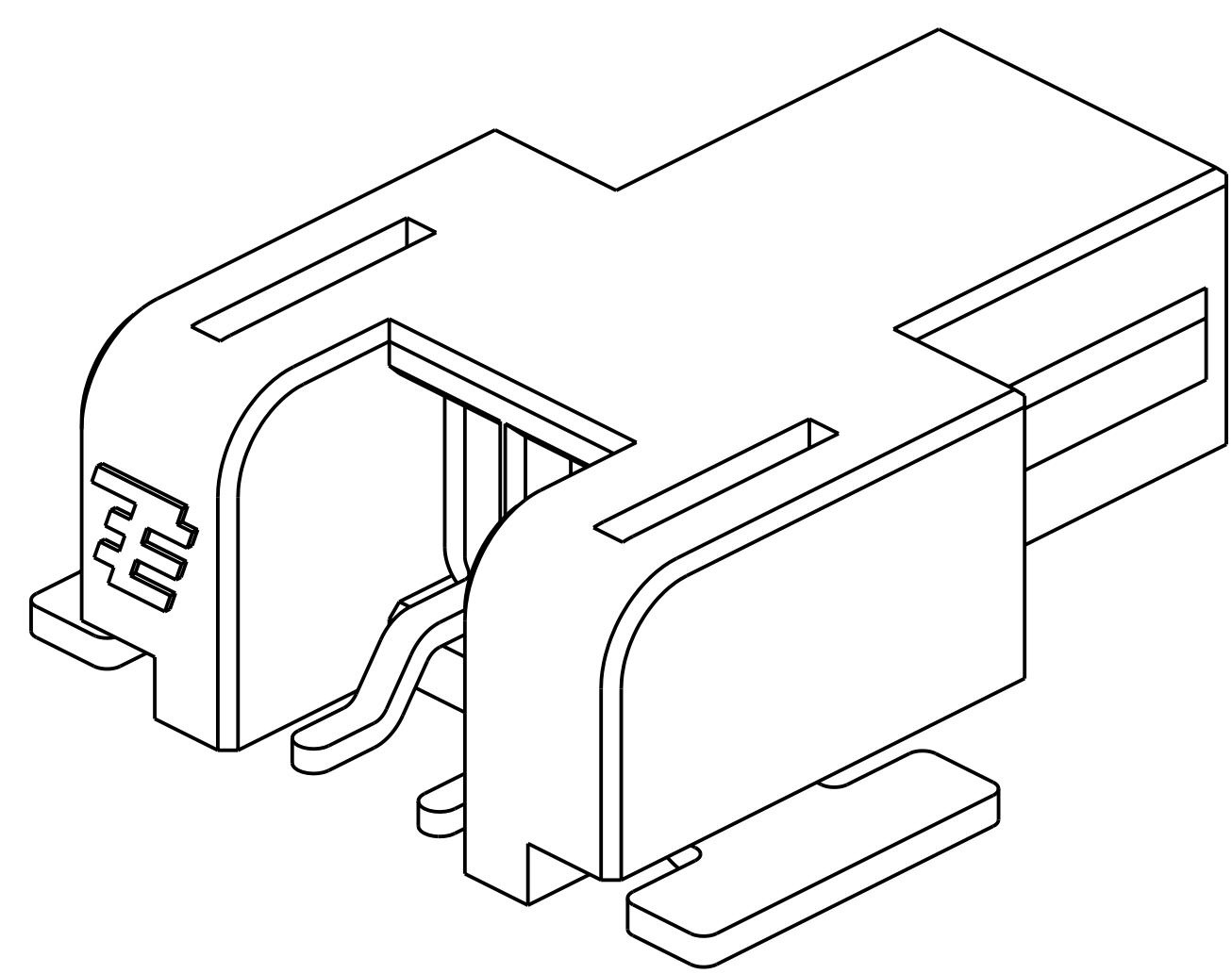


REVISONS		DATE	DWN	APVD
1	PROPOSED	01JUL2008	KCD	-
2	ADDED ADDITIONAL DIMENSIONS	18JULY2008	RN	RN
3	ADDED 2 AND 6 POSITION DIMENSIONS	20JULY2008	RN	RN
4	MODEL UPDATED	20JAN09	KCD	-



- △ MATERIALS AND FINISH:  
 -HOUSING: HIGH TEMPERATURE THERMOPLASTIC, COLOR: NATURAL  
 -CONTACTS: COPPER ALLOY, FINISH: Sn OVER Ni  
 -BOARD LOCK: COPPER ALLOY, FINISH: Sn OVER Ni
- MUST COMPLY WITH DIRECTIVE 2002/95/EC (ROHS)
  - THIS PRODUCT HAS NOT COMPLETED VALIDATION TESTING



2058519-1 SHOWN

TYCO ELECTRONICS  
 CONFIDENTIAL  
 AND PROPRIETARY

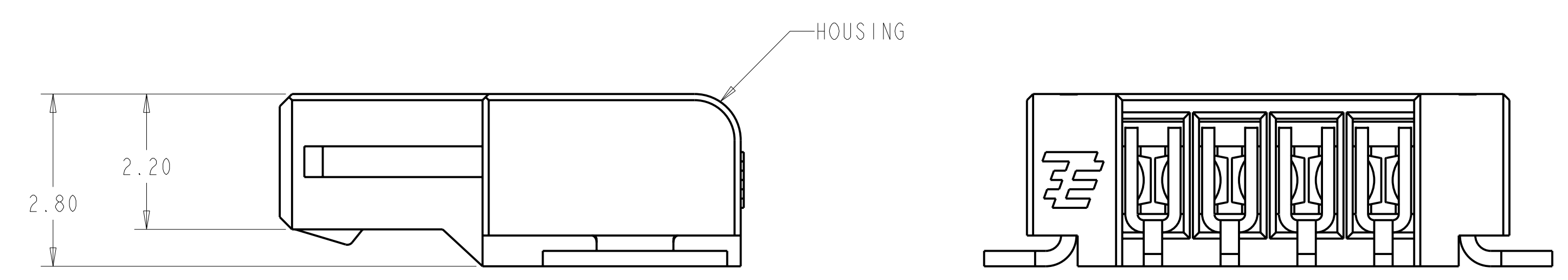
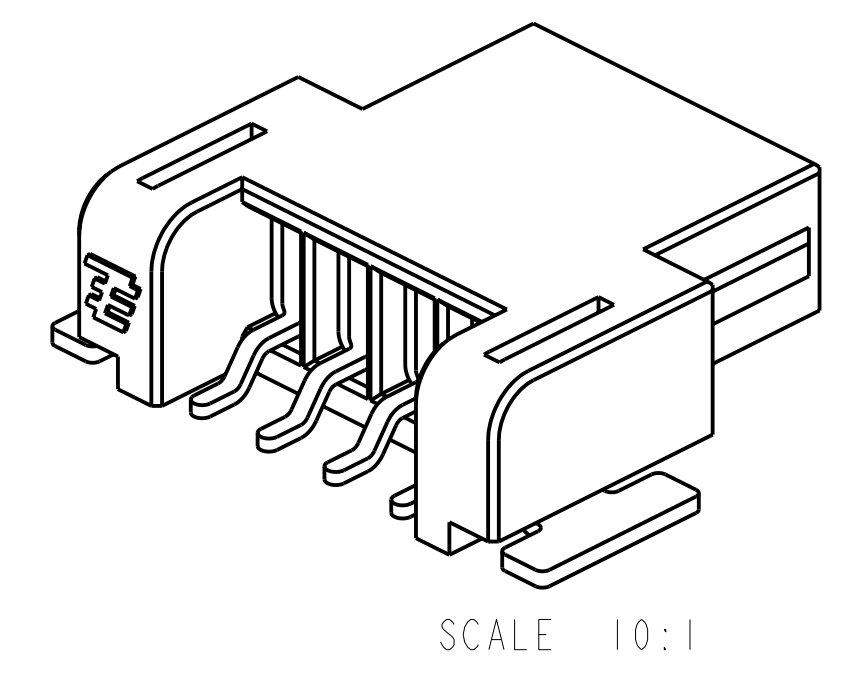
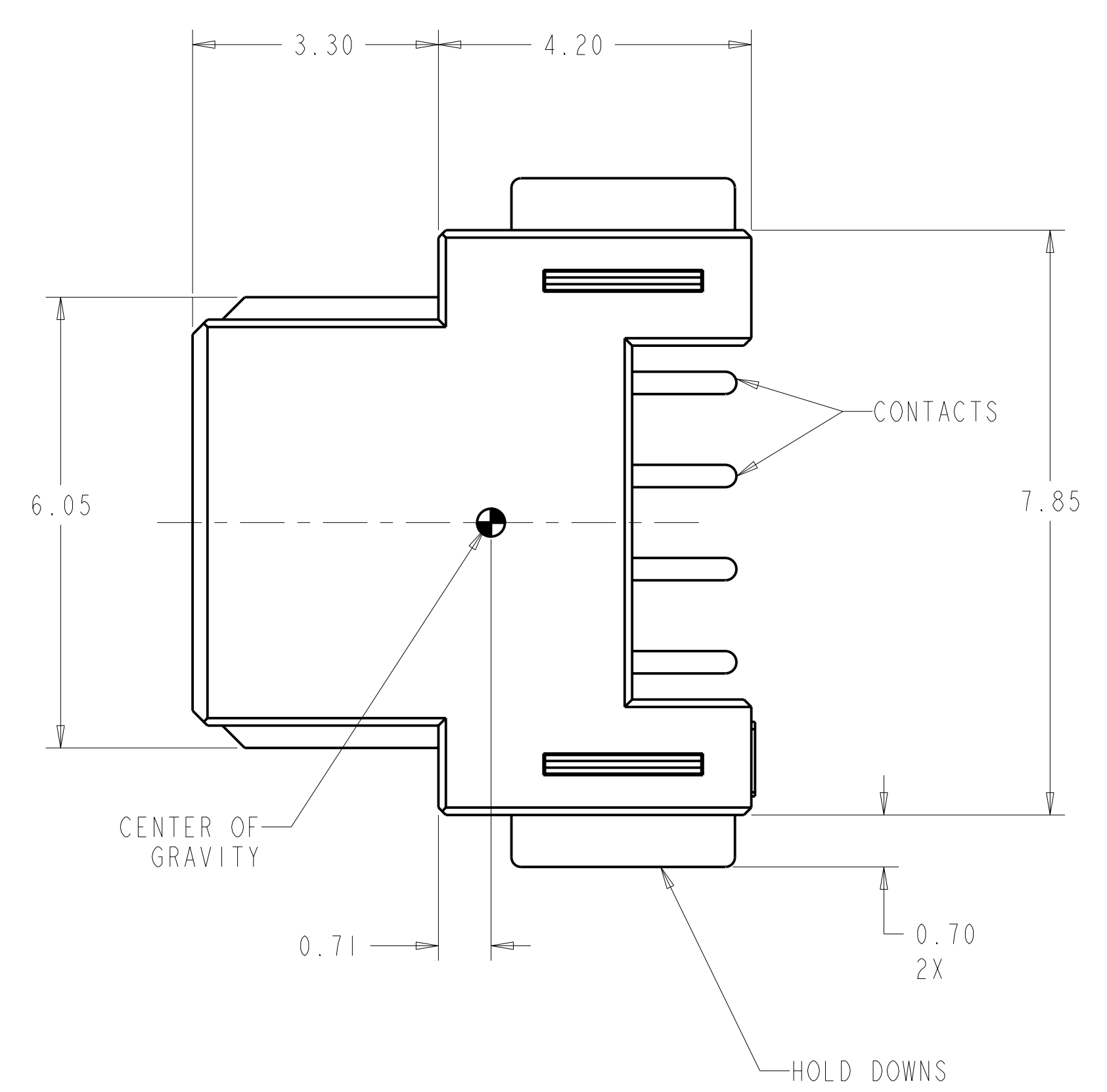
PROPOSED DESIGN  
 NOT PRODUCTION TOOLED

DESIGN IS SUBJECT TO  
 CHANGE WITHOUT NOTICE

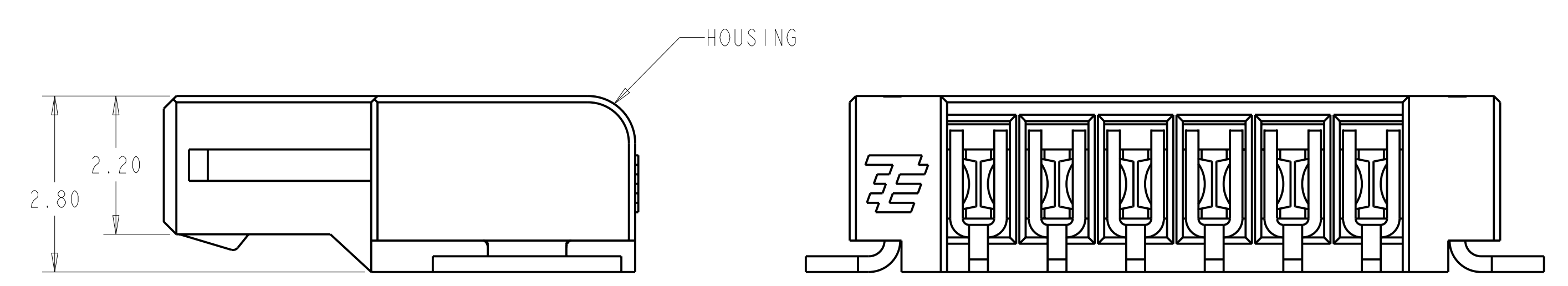
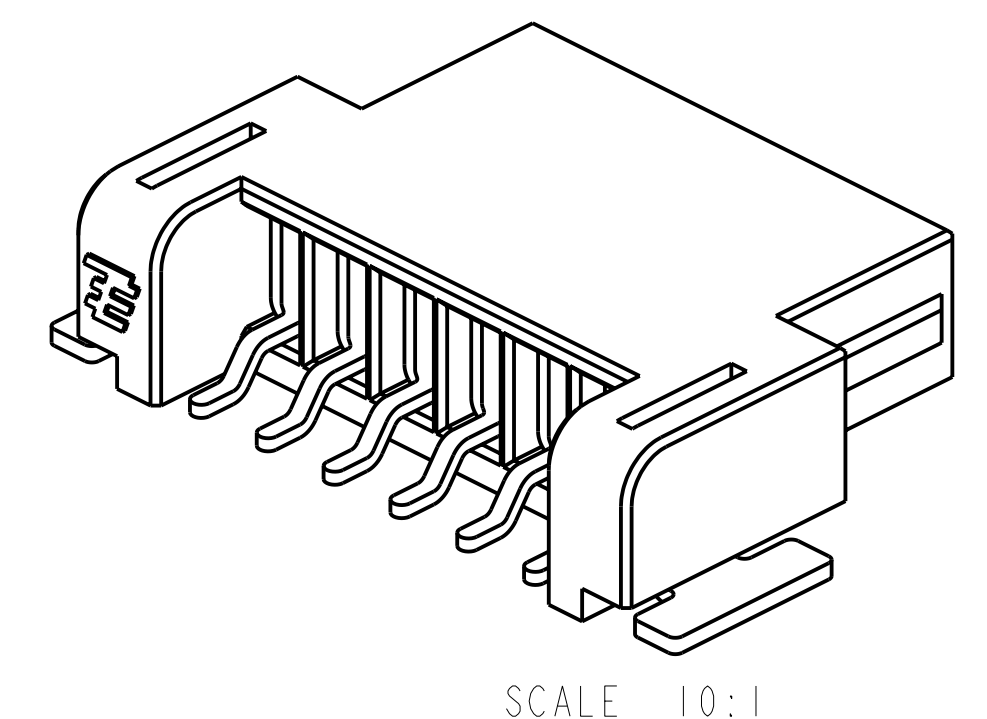
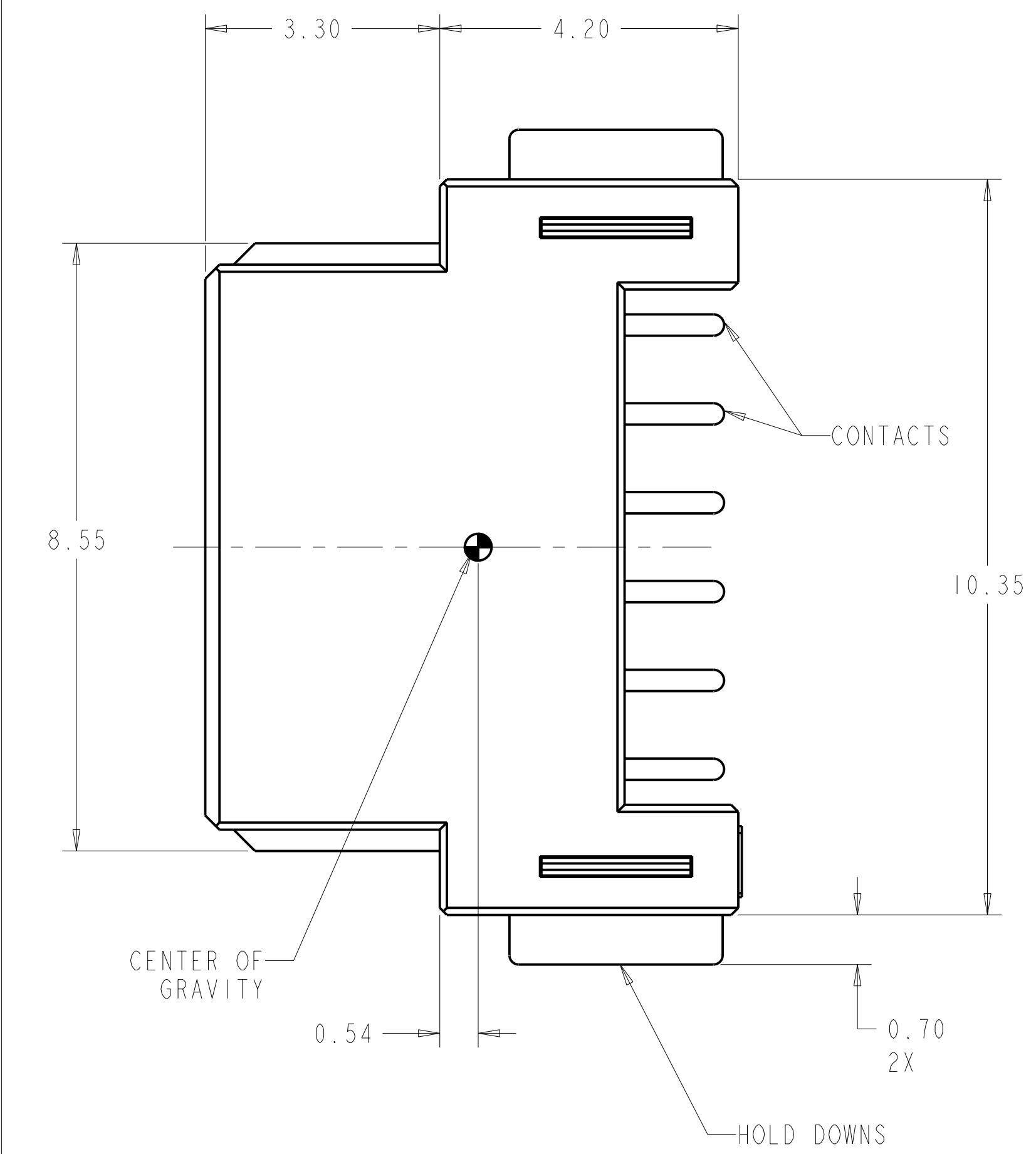
6	2058519-3
4	2058519-2
2	2058519-1
POSN	PART NO.

DIMENSIONS: mm 		TOLERANCES UNLESS OTHERWISE SPECIFIED: 0 PLC ± 1 PLC ±0.3 2 PLC ±0.13 3 PLC ± 4 PLC ± ANGLES ±2°		DWN DEEPA K C 01JUL2008 CDR R NARANG 15JULY2008 APVD - NAME - PRODUCT SPEC - APPLICATION SPEC - WEIGHT - CUSTOMER DRAWING		Tyco Electronics Harrisburg, PA 17105-3608 ASSEMBLY, BOARD TO BOARD, FEMALE HEADER, SMT, RA TYPE SIZE CAGE CODE DRAWING NO A 00779 C=2058519 SCALE 20:1 SHEET 1 OF 3 REV 4	
-----------------------	--	--	--	--	--	--	--

LOC	DIST	REVISIONS					
		P	LTR	DESCRIPTION	DATE	DWN	APVD
-	-	-	-	SEE SHEET 1	-	-	-



2058519-2 SHOWN

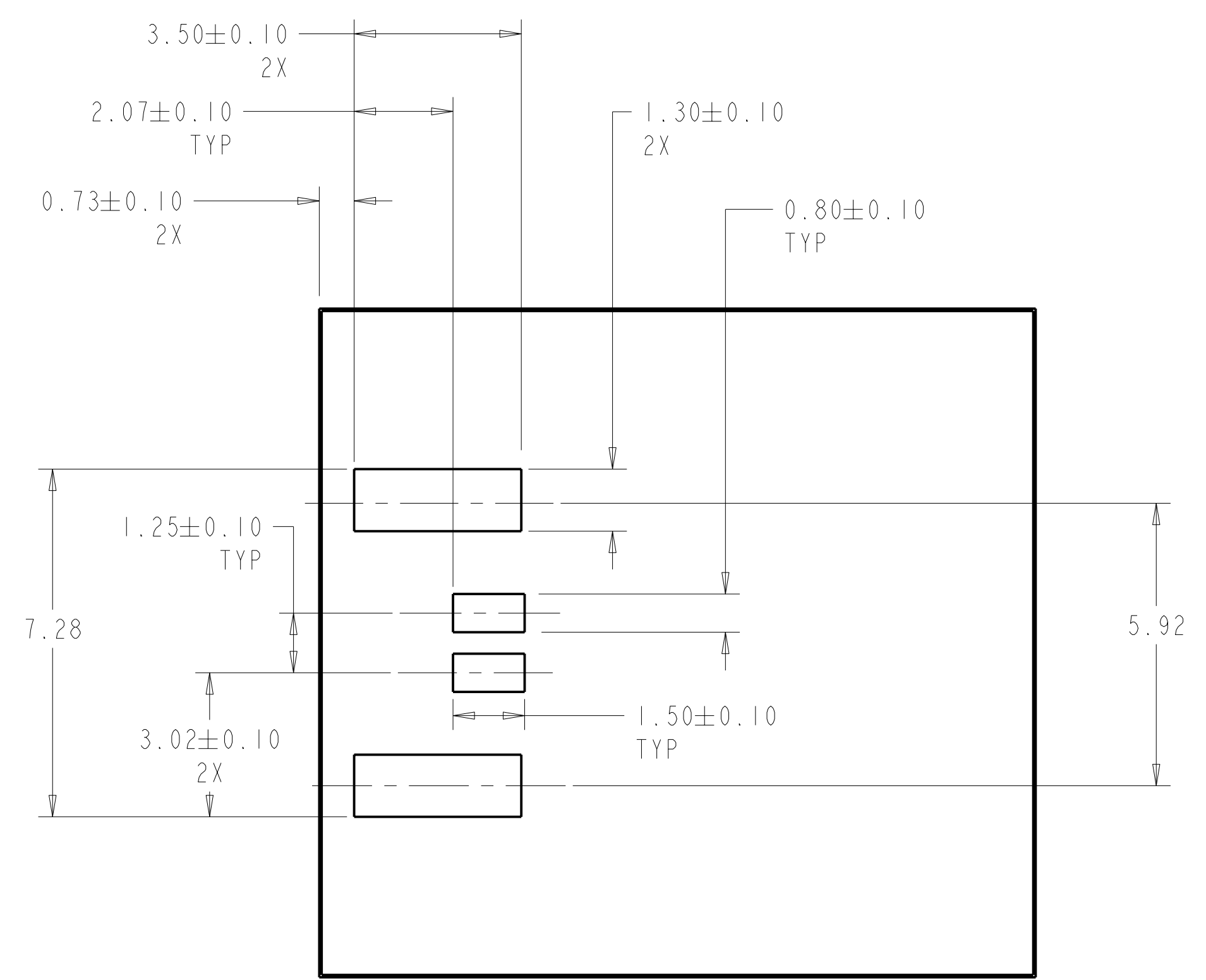


2058519-3 SHOWN

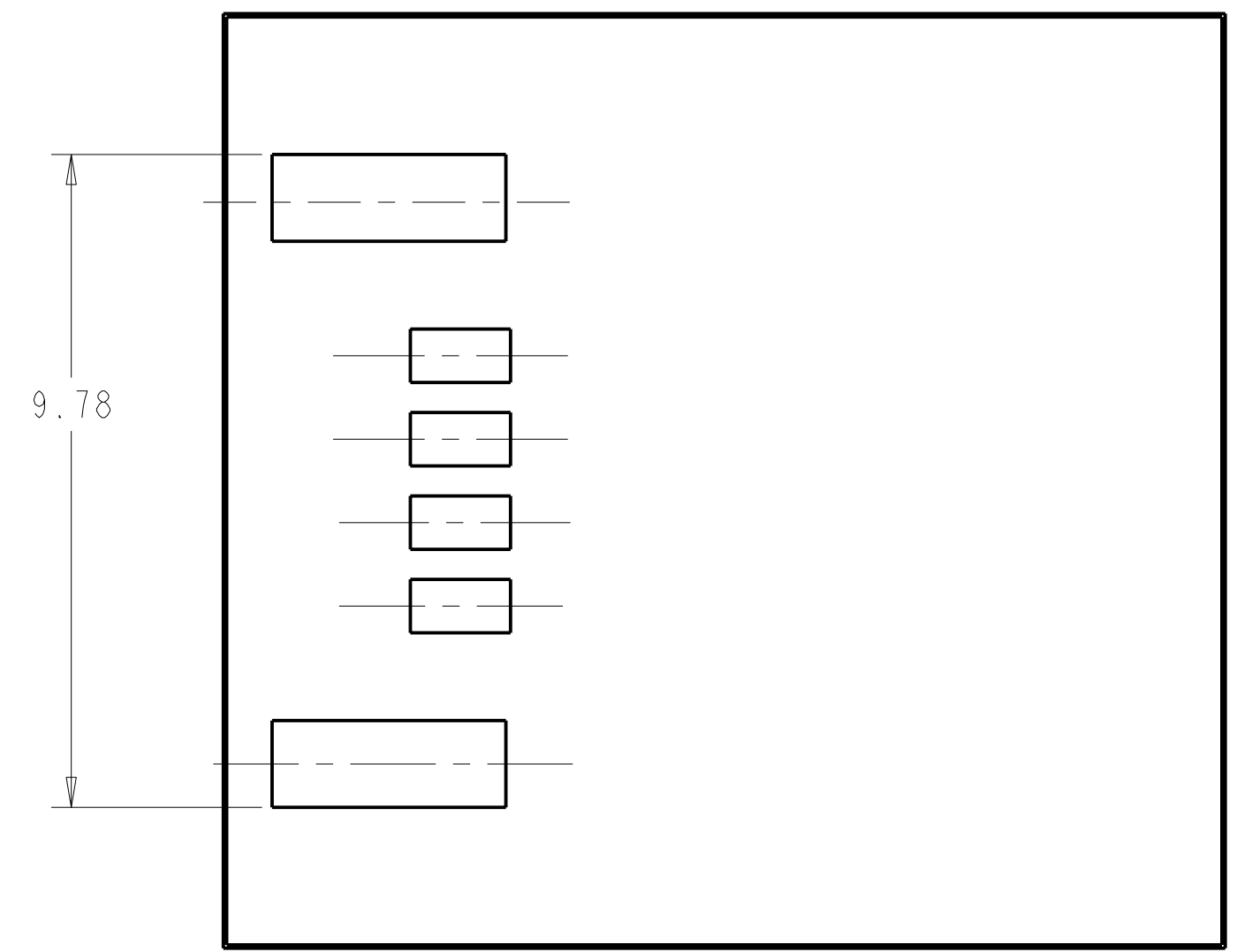
TYCO ELECTRONICS  
 CONFIDENTIAL  
 AND PROPRIETARY  
  
 PROPOSED DESIGN  
 NOT PRODUCTION TOOLED  
  
 DESIGN IS SUBJECT TO  
 CHANGE WITHOUT NOTICE

<small>THIS DRAWING IS UNPUBLISHED. RELEASED FOR PUBLICATION. IT IS SUBJECT TO CHANGE AND THE CONTROLLING ORGANIZATION SHALL BE CONTACTED FOR THE LATEST REVISION.</small>		DWN DEEPA K C 01JUL2008 CHK R NARANG 15JULY2008 APVD -	Tyco Electronics Harrisburg, PA 17105-3608
DIMENSIONS: mm 	TOLERANCES UNLESS OTHERWISE SPECIFIED: 0 PLC ± 1 PLC ±0.3 2 PLC ±0.13 3 PLC ± 4 PLC ± ANGLES ±°	NAME ASSEMBLY, BOARD TO BOARD, FEMALE HEADER, SMT, RA TYPE PRODUCT SPEC - APPLICATION SPEC -	SIZE A1 CAGE CODE 00779 DRAWING NO. 2058519 CUSTOMER DRAWING
MATERIAL	FINISH	WEIGHT	SCALE 1:1 SHEET 2 OF 3 REV 4

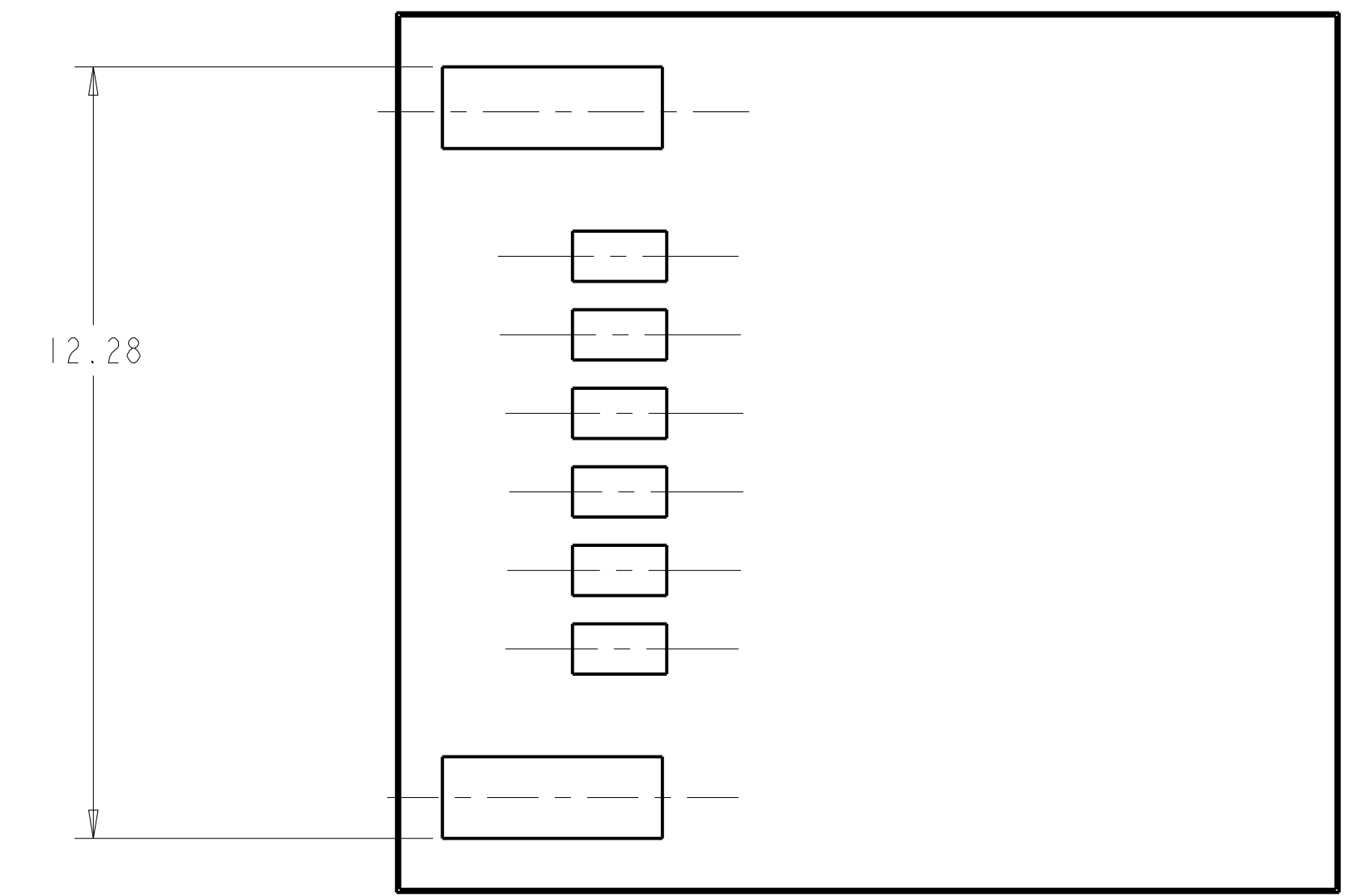
LOC		DIST		REVISIONS			
P	LTR	DESCRIPTION	DATE	DWN	APVD		
-	-	SEE SHEET 1	-	-	-	-	-



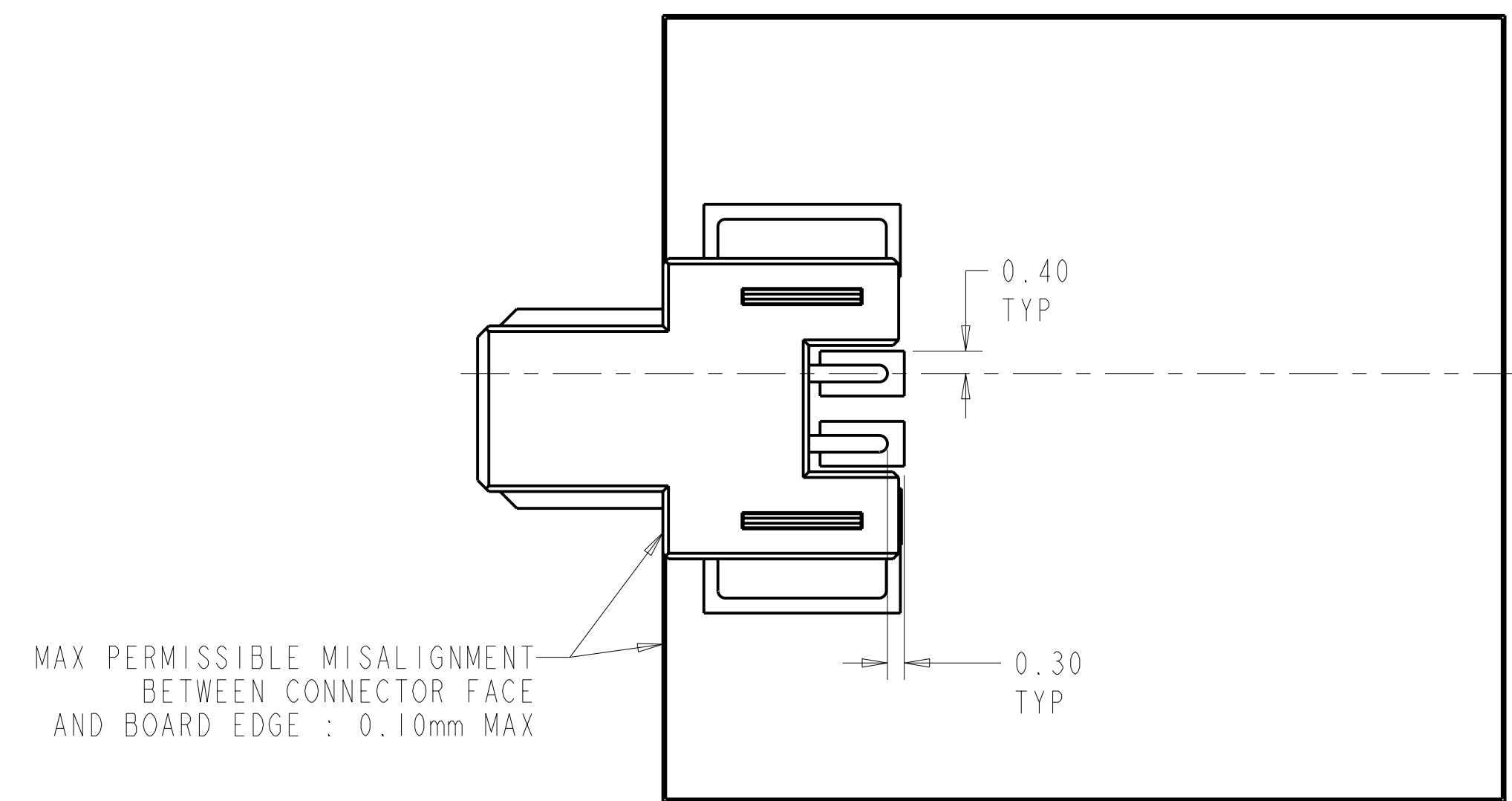
RECOMMENDED PCB LAYOUT FOR 2058519-1



RECOMMENDED PCB LAYOUT FOR 2058519-2



RECOMMENDED PCB LAYOUT FOR 2058519-3



2058519-1 SHOWN MOUNTED ON PCB

TYCO ELECTRONICS  
 CONFIDENTIAL  
 AND PROPRIETARY

PROPOSED DESIGN  
 NOT PRODUCTION TOOLED

DESIGN IS SUBJECT TO  
 CHANGE WITHOUT NOTICE

<small>THIS DRAWING IS UNPUBLISHED. RELEASED FOR PUBLICATION BY TYCO ELECTRONICS CORPORATION. ALL RIGHTS RESERVED.</small> <small>IT IS SUBJECT TO CHANGE AND THE CONTROLLING ORGANIZATION SHALL BE CONTACTED FOR THE LATEST REVISION.</small>		DWN DEEPA K C 01JUL2008 CHK R NARANG 15JULY2008 APVD -	Tyco Electronics Harrisburg, PA 17105-3608
DIMENSIONS: mm 	TOLERANCES UNLESS OTHERWISE SPECIFIED: 0 PLC ± 1 PLC ±0.3 2 PLC ±0.13 3 PLC ± 4 PLC ± ANGLES ±°	NAME ASSEMBLY, BOARD TO BOARD, FEMALE HEADER, SMT, RA TYPE PRODUCT SPEC - APPLICATION SPEC - WEIGHT - CUSTOMER DRAWING	SIZE A1 CAGE CODE 00779 DRAWING NO. 2058519 SCALE 20:1 SHEET 3 OF 3 REV 4