

6 5 4 3 2 1

E

E

D

D

C

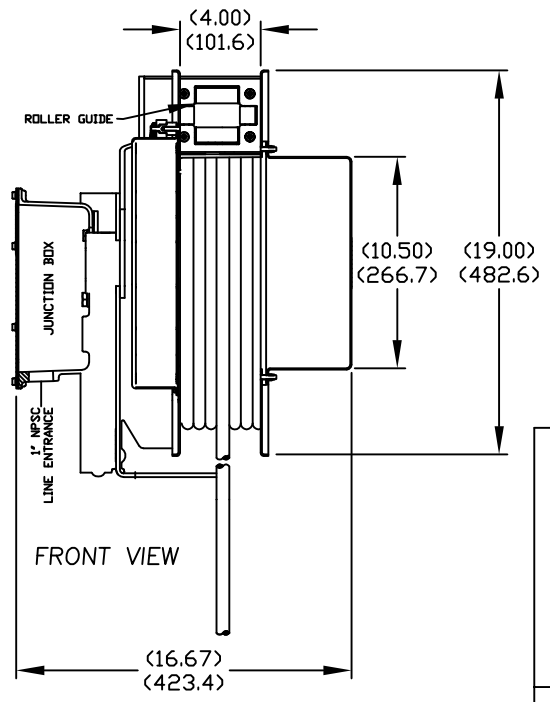
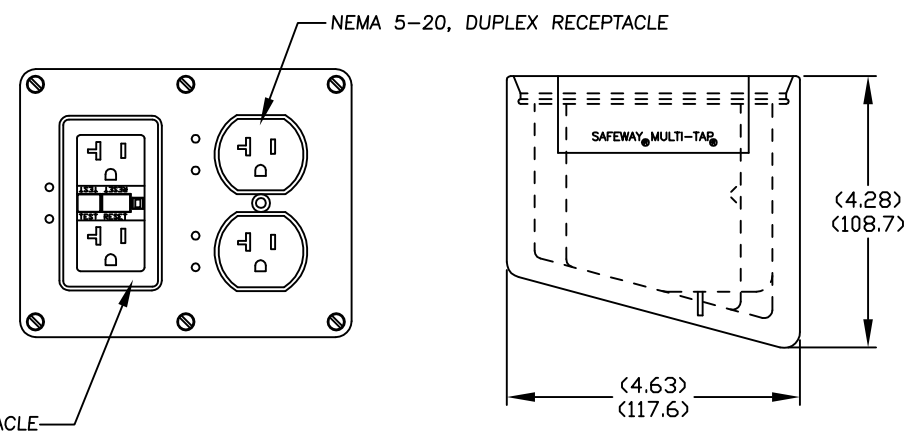
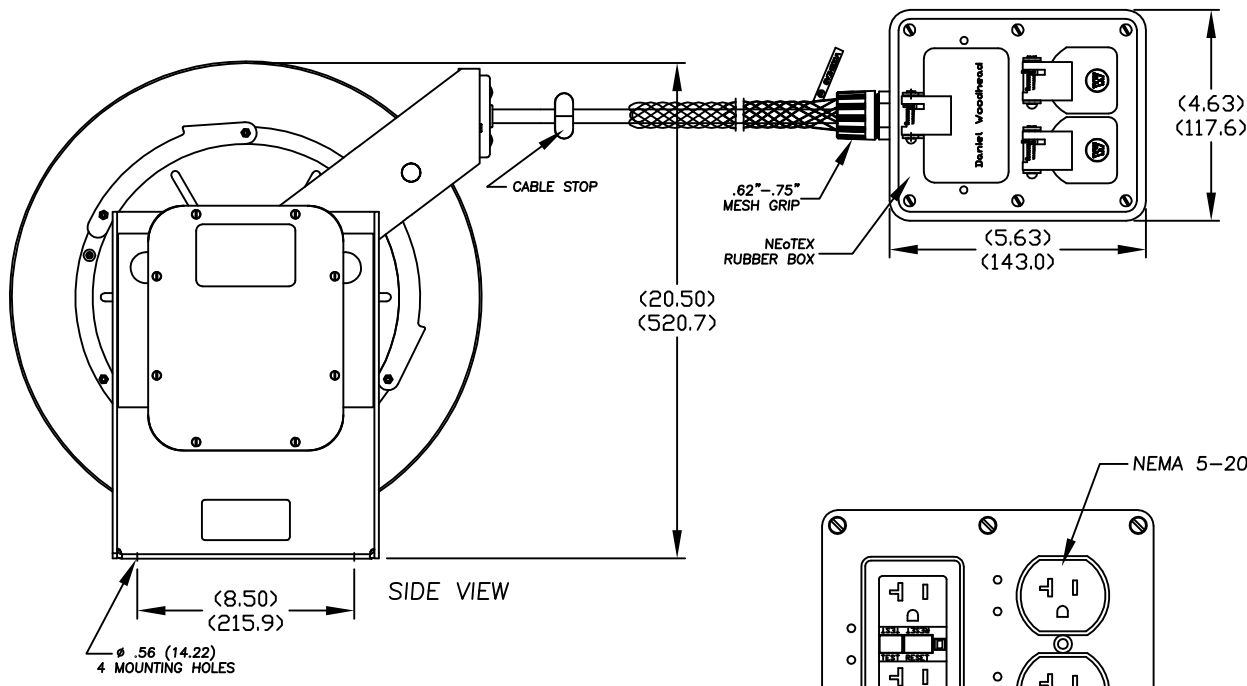
C

B

B

A

A



EC NO: WNA2009-0781 DRWN: TVICKERS CHKD: HK APPR: DITLUS 5/26/09 2009/06/03	QUALITY SYMBOLS ▽=0 ▽C=0	GENERAL TOLERANCES (UNLESS SPECIFIED)		DIMENSION STYLE IN/MM		SCALE NTS	DESIGN UNITS INCH	THIRD ANGLE PROJECTION	
		4 PLACES ±--- ±---	3 PLACES ±--- ±.005	2 PLACES ±--- ±.010	1 PLACE ±--- ±.020	DRAWN BY TV	DATE 2009/05/26	TITLE 105102303 W/70 FT. 3C/#10 GFCI & MESH GRIP	
DRAFT WHERE APPLICABLE MUST REMAIN WITHIN DIMENSIONS		ANGULAR ±---°		APPROVED BY DT	DATE 2009/05/25	MOLEX INCORPORATED		SHEET NO. 1 OF 1	
MATERIAL NO. 1300840350		DOCUMENT NO. SD-130084-003		THIS DRAWING CONTAINS INFORMATION THAT IS PROPRIETARY TO MOLEX INCORPORATED AND SHOULD NOT BE USED WITHOUT WRITTEN PERMISSION					

6 5 4 3 2 1