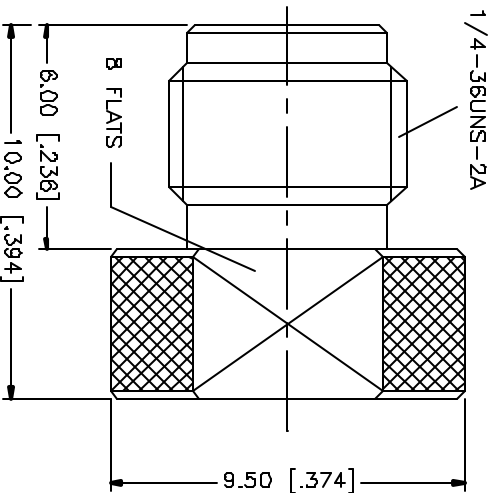


REV.	DATE	DESCRIPTION
NC	11/10/03	INITIAL RELEASE
A	07/31/04	UPDATE RESISTOR WATTAGE



QTY	FINISH	MATERIAL	DESCRIPTION
2	1 WATT - 1%	100R	RESISTOR
1	GOLD	BEER COPPER	CONTACT PIN
1	NATURAL	TEFLON	INSULATOR
1	GOLD	BRASS	BODY
			DESCRIPTION

APPROVALS	DATE
DESIGN G.R.S.	07/31/04
CHECKED	
ISSUED	
DRAWN	

APPROVALS	DATE
CAD FILE C:/132/132361.DWG	
BUILT 1 OF 1	

PART DESCRIPTION	PART NO.
Amphenol Connex	132361
SMA TERMINATOR JACK (50 ohm)	

DRAW. NO.	REV.	SIZE	SCALE
132361.DWG	A	A	NA

USING DIMENSIONS SHOWN THROUGHOUT THE DRAWING TO LOCATE FEATURES IN [] ARE IN MILLIMETERS. DIMENSIONS IN [] ARE IN INCHES AND ARE QUOTED FOR REFERENCE ONLY. DO NOT SCALE DRAWING.

USING DIMENSIONS SHOWN THROUGHOUT THE DRAWING TO LOCATE FEATURES IN [] ARE IN MILLIMETERS. DIMENSIONS IN [] ARE IN INCHES AND ARE QUOTED FOR REFERENCE ONLY. DO NOT SCALE DRAWING.

USING DIMENSIONS SHOWN THROUGHOUT THE DRAWING TO LOCATE FEATURES IN [] ARE IN MILLIMETERS. DIMENSIONS IN [] ARE IN INCHES AND ARE QUOTED FOR REFERENCE ONLY. DO NOT SCALE DRAWING.

USING DIMENSIONS SHOWN THROUGHOUT THE DRAWING TO LOCATE FEATURES IN [] ARE IN MILLIMETERS. DIMENSIONS IN [] ARE IN INCHES AND ARE QUOTED FOR REFERENCE ONLY. DO NOT SCALE DRAWING.

USING DIMENSIONS SHOWN THROUGHOUT THE DRAWING TO LOCATE FEATURES IN [] ARE IN MILLIMETERS. DIMENSIONS IN [] ARE IN INCHES AND ARE QUOTED FOR REFERENCE ONLY. DO NOT SCALE DRAWING.