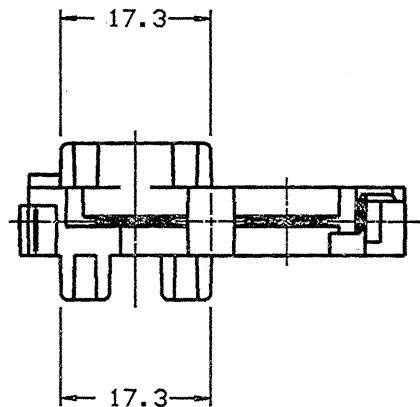


D

THIS DRAWING AND DESIGN HEREON CONSTITUTES A PROPRIETARY DESIGN OF PACKARD ELECTRIC DIVISION AND IS NOT TO BE DUPLICATED OR REPRODUCED WITHOUT AUTHORITY OF PACKARD ELECTRIC DIVISION.

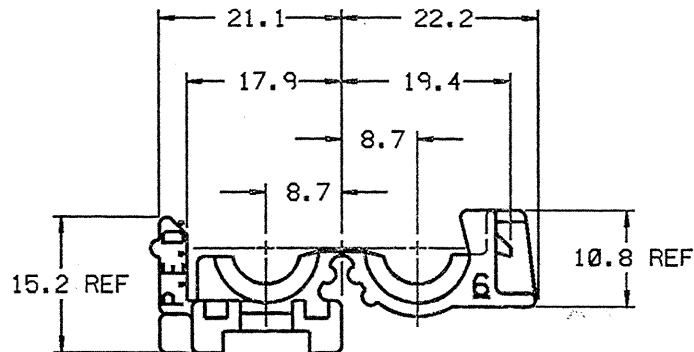
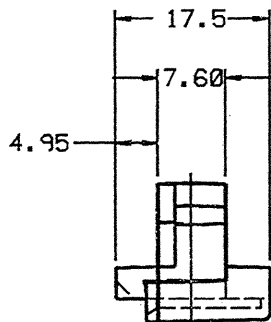
DO NOT SCALE



PART NO. 1209 2324

DATE	SYM	REVISION RECORD	AUTHORITY	DR	CK
23DE88	A	DRAWING COMPLETE			
10AP89		WAS PE017846 & RELEASED	890005	DKS	DKS
230C89	A1	REVISED GRAPHICS	130719	BAR	BAR
12JL06	A2	UPDATED MAT'L SPEC, ADDED DELPHI LOGO AND RECYCLING			
		NOTES	282593	EF	FKV

PACKARD ELECTRIC DIVISION
GENERAL MOTORS CORPORATION
WARREN, OHIO



- NOTES: 1. DIMENSIONS MARKED "REF" ARE FOR REFERENCE ONLY, AND NO TOLERANCE LIMITS ARE ESTABLISHED.
2. MATERIAL RECYCLING CODE PER ISO 11469. (1) X (0.1) RAISED CHARACTERS AS SHOWN TO BE LOCATED ON ANY EXTERIOR SURFACE. OPTIONAL CONSTRUCTION TO BE NO MATERIAL RECYCLING CODE.
3. (1) X (0.1) RAISED DELPHI CORPORATE BRAND TO BE LOCATED ON ANY EXTERIOR SURFACE, PREFERABLY VISIBLE AT FINAL ASSEMBLY. OPTIONAL CONSTRUCTION TO BE "PED" OR NO LOGO.

PED / MICROSTATION		FILE SPEC:	****USER**** DGN#SPECIFICATION***** ****SYTIME*****
THIRD ANGLE PROJECTION		METRIC DIMENSIONS ARE IN MILLIMETERS UNLESS OTHERWISE SPECIFIED.	
CODE NO. 6900	TOLERANCE UNLESS OTHERWISE SPECIFIED DECIMAL: ANGULAR ± 2° ONE PLACE ± 0.3 TWO PLACE ± 0.15		
DWG. DATE 23DE88	SCALE NONE	DR. DAVE STEELE	10AP89
EST. NO.	CK. DAVE STEELE	DATE 11AP89	
REFERENCE NO. 12092324 'D' SIZE	APPR. J. A. SVETTE	DATE 12AP89	
	APPR. R. HEIDENREICH	DATE 12AP89	
MATERIAL SPEC. M2097001 PP IM BLK			
NAME CLIP CNVLT CDT 6MM			
PART NO. 1209 2324	OUTLINE DRAWING		SIZE B

PACKARD ELECTRIC