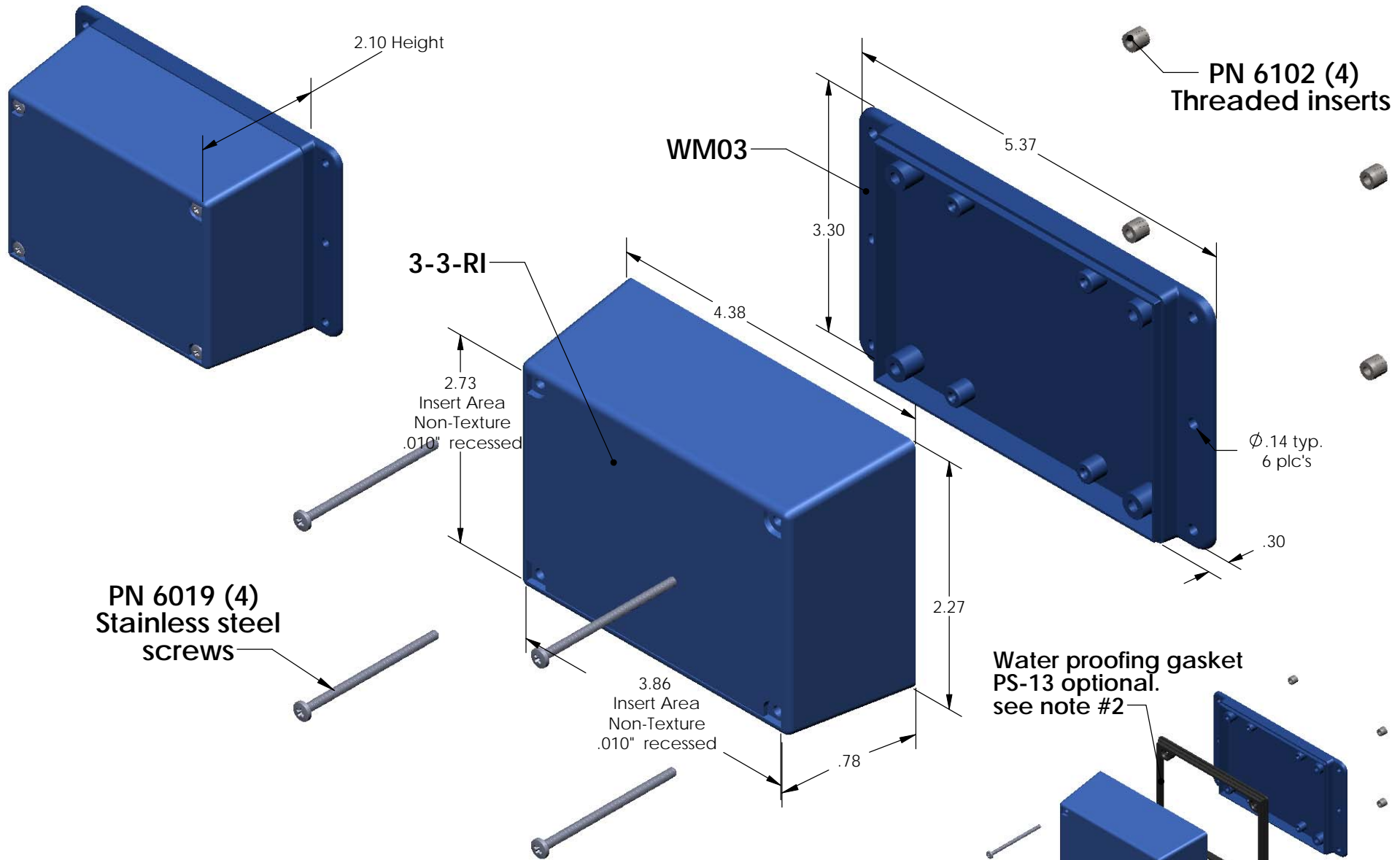


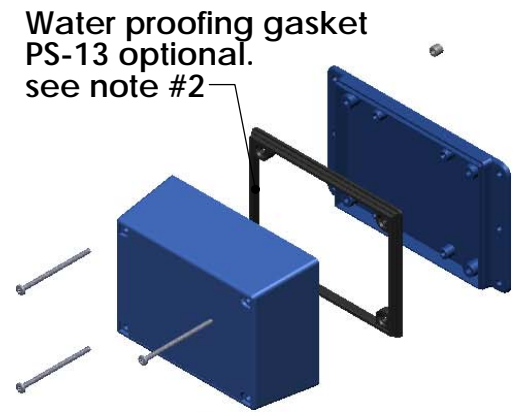
# SERPAC WM033-RI (exploded isometric)

Electronic Enclosures



PART NO.	DESCRIPTION (Included)	ACCESSORIES (Optional)	
3-3-RI	TOP	PART NO.	DESCRIPTION
WM03	BOTTOM	50	Non-skid Feet
6019	4-40 SCREW (4)	PS-13	Perimeter Seal
6102	THREADED INSERTS (4)		

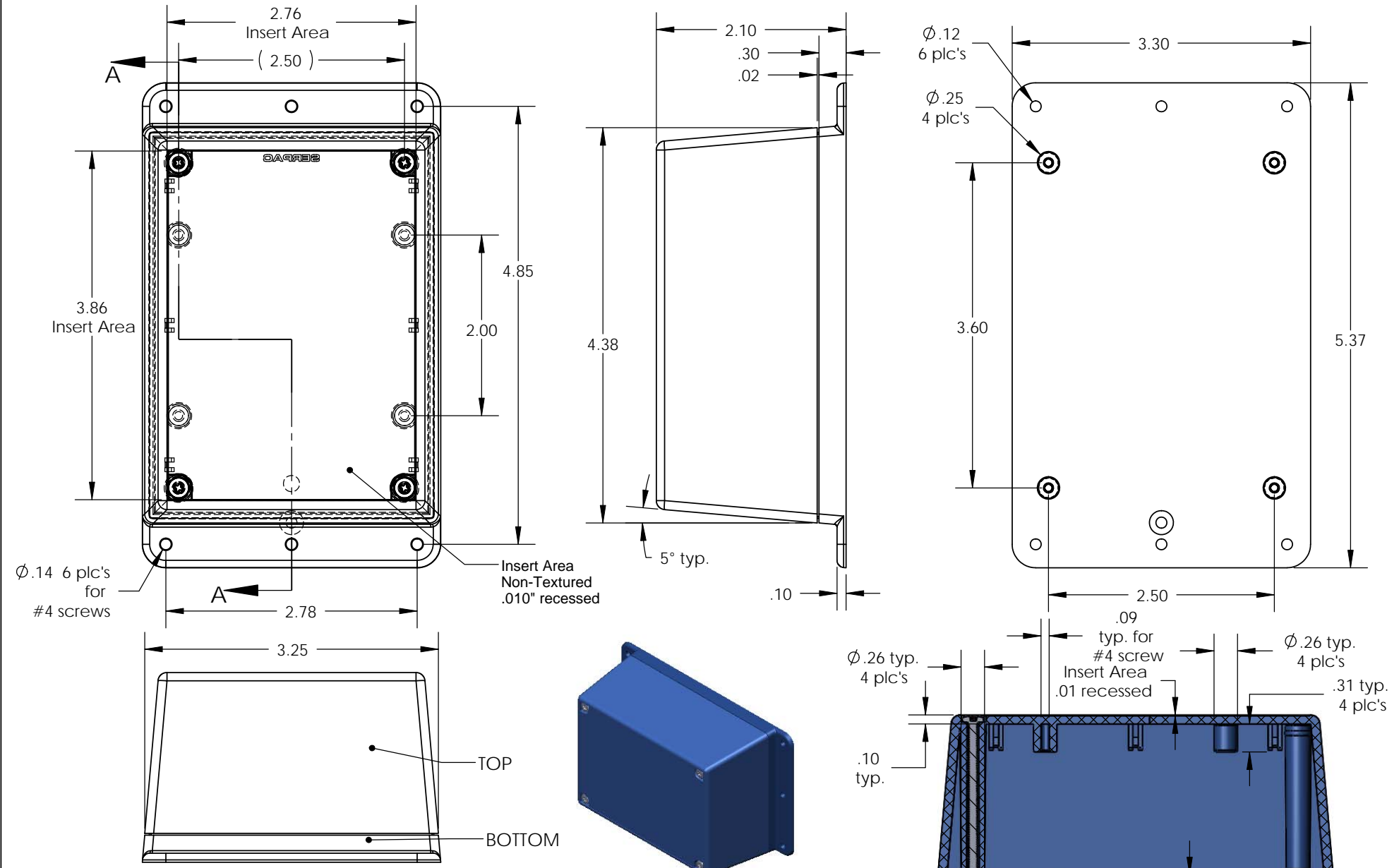
- Notes:
- 1) Enclosure meets or exceeds IP40 and NEMA 1
  - 2) When used with PS-13 the enclosure meets or exceeds IP 67 and NEMA 4X, 12 and 13 MIL-STD-810G 506.5
  - 3) Circuit Board drawings can be download at:  
[http://www.serpac.com/Products/Sseries/X3x/drawings/X33\\_top-CB.pdf](http://www.serpac.com/Products/Sseries/X3x/drawings/X33_top-CB.pdf)
  - 4) All components are RoHS Compliant.



**ALL DIMENSIONS ARE ± .010" 6/01/09 (1 of 2)**  
**619 Commercial Ave. Covina, CA 91723**  
 Ph. (626) 331-0517 Fx. (626) 331-8584 [serpac.com](http://www.serpac.com)

# SERPAC WM033-RI (user print)

Electronic Enclosures



PART NO.	DESCRIPTION (Included)	ACCESSORIES (Optional)
3-3-RI	TOP	PART NO. DESCRIPTION
WM03	BOTTOM	50 Non-skid Feet
6019	4-40 SCREW (4)	PS-13 Perimeter Seal
6102	THREADED INSERTS (4)	

Notes:

- 1) Enclosure meets or exceeds IP40 and NEMA 1
- 2) When used with PS-13 the enclosure meets or exceeds IP 67 and NEMA 4X, 12 and 13 MIL-STD-810G 506.5
- 3) Circuit Board drawings can be download at:  
[http://www.serpac.com/Products/Sseries/x3x/drawings/X33\\_top-CB.pdf](http://www.serpac.com/Products/Sseries/x3x/drawings/X33_top-CB.pdf)
- 4) All components are RoHS Compliant.

SECTION A-A  
SCALE 1 : 1.5

**ALL DIMENSIONS ARE ± .010" 6/01/09 (2 of 2)**  
**619 Commercial Ave. Covina, CA 91723**  
 Ph. (626) 331-0517 Fx. (626) 331-8584 [www.serpac.com](http://www.serpac.com)