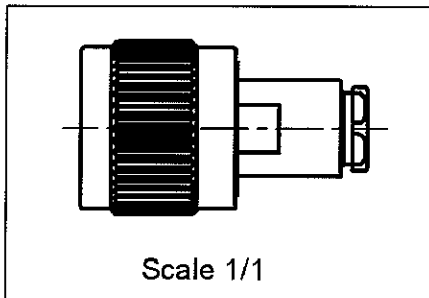
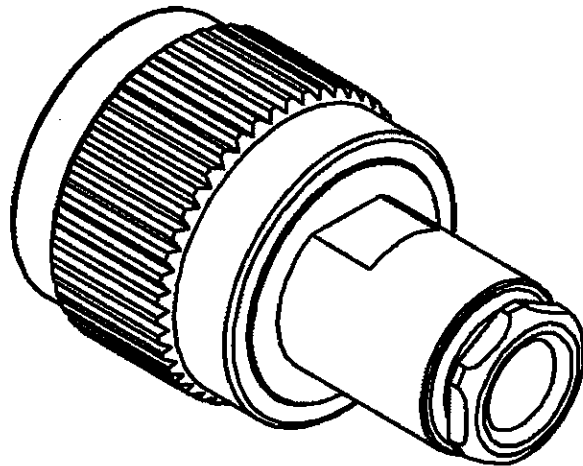
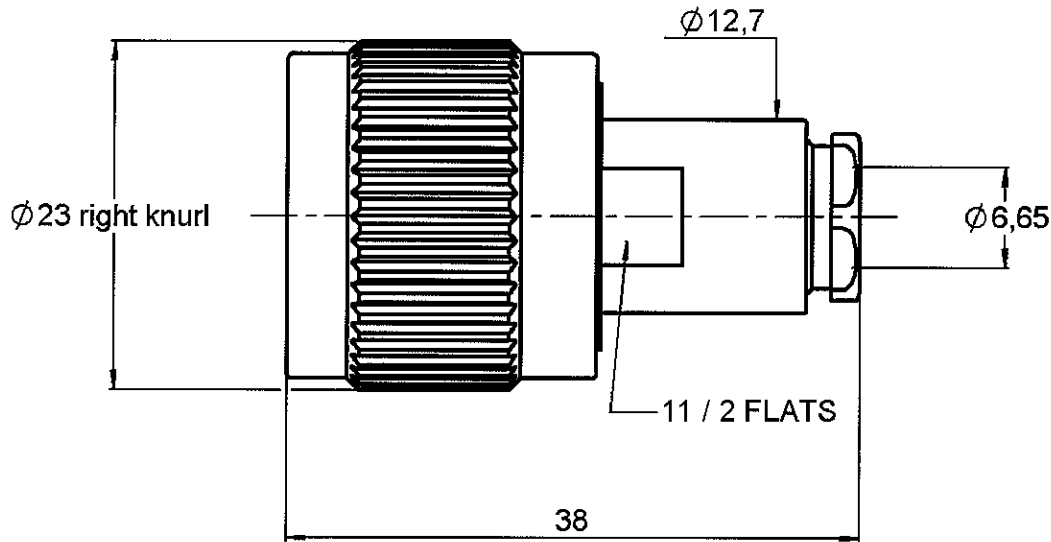
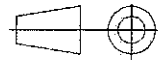


R176.012.000

Series : HN



All dimensions are in mm.



COMPONENTS	MATERIALS	PLATING (μm)
BODY	BRASS	NICKEL 2
CENTER CONTACT	BRASS	SILVER 5 OVER COPPER 0.5
OUTER CONTACT	BRASS	NICKEL 2
INSULATOR	PTFE	
GASKET	SILICONE RUBBER	
OTHERS PARTS	BRASS	NICKEL 2
-	-	-
-	-	-

Issue : 0620 P

In the effort to improve our products, we reserve the right to make changes judged to be necessary.



R176.012.000

Series : HN

PACKAGING

Standard	Unit	Other
	'W' option	Contact us

SPECIFICATION

M-G 2971313F N 00

ELECTRICAL CHARACTERISTICS

Impedance		50 Ω
Frequency		0-3 GHz
VSWR	AD +	0,0000 x F(GHz) Maxi
Insertion loss		NA √F(GHz) dB Maxi
RF leakage	- (- F(GHz)) dB Maxi
Voltage rating		1500 Veff Maxi
Dielectric withstanding voltage		5000 Veff mini
Insulation resistance		5000 MΩ mini

CABLE ASSEMBLY

Stripping	a	b	c	d	e	f
mm	6,50	14,5	0,00	0,00	6,10	0,00

Assembly instruction :

Recommended cable(s)
KX 6A
RG 59

Characteristics indicated on this data sheet are those that can be achieved with the highest performance cable. Intrinsic limitations of the cable may diminish the performance of the assembly

Cable retention

- pull off 180 N mini
- torque NA N.cm

MECHANICAL CHARACTERISTICS

Center contact retention		
Axial force – Mating end		NA N mini
Axial force – Opposite end		27 N mini
Torque		NA N.cm mini

TOOLING

Part Number	Description	Hexagon
.	.	.

Recommended torque		
Mating		NA N.cm
Panel nut		NA N.cm
Clamp nut		450 N.cm
A/F clamp nut		0,0000 mm

Mating life		500 Cycles mini
Weight		44,7000 g

OTHER CHARACTERISTICS

ENVIRONMENTAL

Operating temperature		-55/+155 °C
Hermetic seal		NA Atm.cm3/s
Panel leakage		NA

Issue : 0620 P

In the effort to improve our products, we reserve the right to make changes judged to be necessary.



RADIALL®