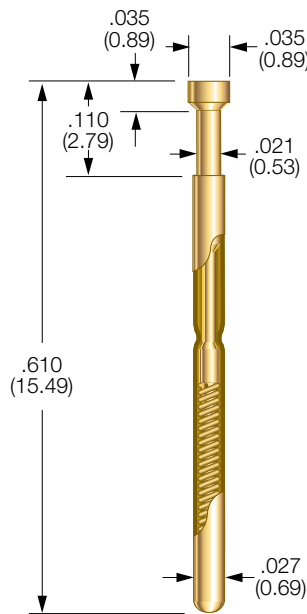
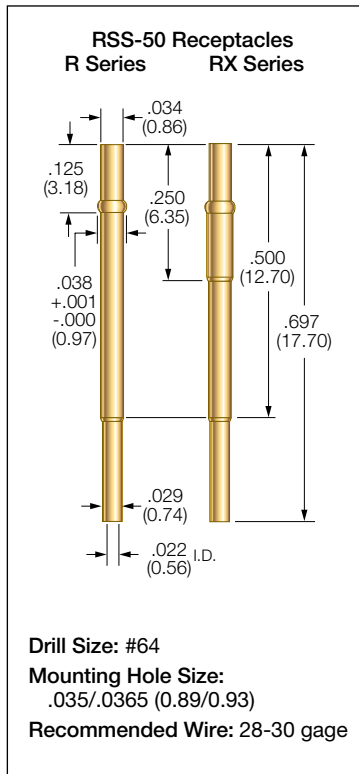


.050 Centers - Size 50 Series SS

SS-50 PROBE



PROBE SPECIFICATIONS

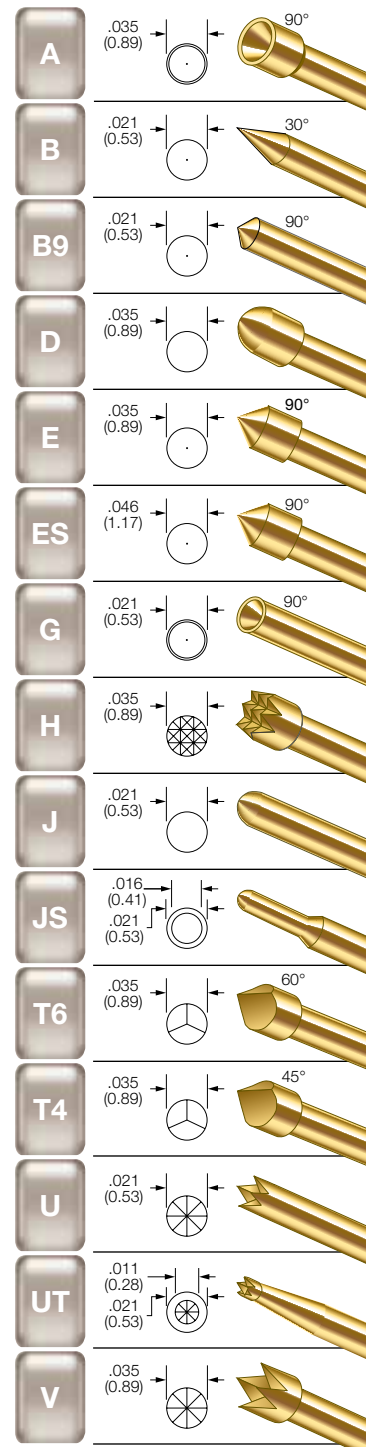
Minimum Centers: .050 (1.27)
Current Rating: 3 amps continuous
Spring Force: 2.9, 3.3 or 5.1 oz. @ .050 (1.27) travel
Typical Resistance: < 35 mΩ
Maximum Travel: .070 (1.78)
Working Travel: .050 (1.27)

Rated Force oz. (g)	Preload oz. (g)	Material
2.9 (82)	1.1 (31)	BeCu
3.3 (94)	1.7 (48)	SS
5.1 (145)	1.5 (42)	MW

MATERIALS

Barrel: Nickel/silver, gold plated
Spring: Beryllium copper, stainless steel or music wire, gold plated
Plunger: Beryllium copper, gold plated over nickel or Duralloy™
Receptacle: Nickel/silver, gold plated, gold plated post
Plug-In Terminal: Beryllium copper, preplated gold

BeCu PLUNGER TIPS



RECEPTACLE OPTIONS

Part Number	Style	Receptacle Length	Probe/Receptacle Combined Length	Comments
RSS-50-CR	Crimp	0.697 (17.70)	0.807 (20.50)	—
RSS-50-SC	Solder Cup	0.697 (17.70)	0.807 (20.50)	—
RSS-50-WW-016	Wire Wrap	0.947 (24.05)	1.057 (26.85)	.250 post length - .016 sq.
RSS-50-WW-025	Wire Wrap	0.997 (25.32)	1.107 (28.12)	.300 post length - .025 sq.
RSS-50-PW	Preattached Wire	0.697 (17.70)	.807 (20.50)	30 gage - non vacuum sealed*
RSS-50-DS	Duraseal®	0.697 (17.70)	.807 (20.50)	30 gage - vacuum sealed*
RSS-50-WT	Plug-In Receptacle	0.697 (17.70)	.807 (20.50)	For use with FP-Plug terminal
FP-Plug	Plug-In Terminal	—	—	Plugs into R-SS-50-WT receptacle*

* Unless otherwise specified, wire length 36", strip length 1", 30 gage Kynar

HOW TO ORDER: SPRING CONTACT PROBE

SS **50** **A** **2.9** **G**
SERIES SIZE TIP STYLE SPRING FORCE PLATING OPTIONS

SERIES:
SS: STANDARD
SSX: IMPROVED POINTING ACCURACY

PLATING OPTIONS:
G: GOLD PLATED PLUNGER
D: DURALLOY™ PLATED PLUNGER

SPRING FORCE:
2.9 oz. @ .050 (1.27) TRAVEL
3.3 oz. @ .050 (1.27) TRAVEL
5.1 oz. @ .050 (1.27) TRAVEL

CRIMPING PLIERS: CPSS50
INSERTION TOOL: RTSS50
WIRE PLUG TOOL: RTWT

SERIES:
RSS: HIGH PERFORMANCE
RXSS: IMPROVED POINTING ACCURACY

* UNLESS OTHERWISE SPECIFIED, WIRE LENGTH 36", STRIP LENGTH 1", 30 GAGE KYNAR. 12" & 36" STANDARD.

**FOR USE WITH FP-PLUG TERMINAL. 12" & 36" STANDARD.

RECEPTACLE

RSS **50** **CR**
SERIES SIZE TERMINATION

TERMINATIONS:
CR: CRIMP
SC: SOLDER CUP
WW-016: WIRE WRAP .016 sq
WW-025: WIRE WRAP .025 sq
PW: PREATTACHED WIRE*
DS: DURASEAL*
WT: PLUG-IN RECEPTACLE**

VIEW UPDATES OF THIS INFORMATION AT WWW.IDINET.COM

Specifications subject to change without notice. Dimensions in inches (millimeters)