



FX29 COMPRESSION LOAD CELL

Versatile Miniature Force Sensor
mV, Amplified, and Digital Outputs
Low Power Consumption
Rugged Microfused Sensing Element
Stainless Steel Enclosure
Several Load Ranges

FEATURES

- Compact Design
- mV or Amplified Analog Outputs
- Optional I²C Digital Interface
- High Over Range Capability

APPLICATIONS

- Medical Infusion Pumps
- Analog & Digital Scales
- Fitness & Exercise Equipment
- Payload Weighing
- Power Tools
- Robotics
- Surgical & Dental Tools
- Battery Powered Devices
- Manufacturing Equipment

TE Connectivity's (TE) FX29 is a compact compression load cell that offers exceptional price-to-performance in a robust sensor package. Optimized for embedded force sensing applications from disposable medical devices to durable appliances and exercise equipment. The FX29 allows design flexibility with mV, amplified, and digital output options.

The FX29 incorporates the high reliability Microfused technology and is offered in ranges from 10lbf to 100lbf (50N to 500N). Microfused technology provides excellent span and zero stability, outstanding cycle life, superior resolution, high over-range capabilities, and an unamplified span sensitivity of 20mV/V.

The FX29 utilizes a two-piece construction of stainless steel materials. The combination of a metal injection molded flexure and micro miniaturized MEMS strain gauges allows flexibility of force range options for a lower cost sensor. These improvements over previous load cell designs give the FX29 more precise dimensional control and better performance.

Absolute Maximum Ratings (Analog)⁽¹⁾

| Parameter | Symbol | Min | Typ | Max | Units | Notes/Conditions |
|---------------------|------------------|------|-----|------|-------|------------------------|
| Supply voltage | V _{dd} | | | 6.0 | V | Analog mV Output |
| | | | | 5.25 | V | Analog 0.5-4.5V Output |
| Storage temperature | T _S | -40 | | +85 | °C | |
| Compressive load | L _{max} | | | 2.5X | Rated | |
| ESD | | -4.0 | | 4.0 | kV | Human Body Model |

⁽¹⁾ Maximum limits the device will withstand without damage

Standard Load Ranges

| Pounds-Force (lbf) | Newtons (N) |
|--------------------|-------------|
| 10 | 50 |
| 25 | 125 |
| 50 | 250 |
| 100 | 500 |

Electrical Specifications (Analog)

(Unless otherwise specified, all parameters are measured at 25°C @ 5.0V applied)

| Parameter | Symbol | Min | Typ | Max | Units | Notes/Conditions |
|---------------------------------------|------------------|------|-----|------|---------|----------------------|
| Supply voltage (V _{supply}) | V _{dd} | 1.00 | | 6.0 | V | mV Output only |
| | | 4.75 | | 5.25 | V | 0.5-4.5V Output only |
| Operating current | I _{dd} | | | 3 | mA | 0.5-4.5V Output only |
| Input resistance | R _{in} | 2.4 | 3.0 | 3.6 | kΩ | mV Output only |
| Output resistance | R _{out} | 1.76 | 2.2 | 2.64 | kΩ | mV Output only |
| Rise time | T _r | | | 2.0 | ms | 10% to 90% |
| Maximum output current | I _o | 2.2 | | | mA | 0.5-4.5V Output only |
| Output short circuit duration | T _s | | | ∞ | seconds | 0.5-4.5V Output only |
| Insulation resistance | | 50 | | | MΩ | @250VDC |
| Bandwidth | | | | 1.0 | kHz | |

Operating Specifications (Analog)

(Unless otherwise specified, all parameters are measured at 25°C @ 5.0V applied)

| Parameter | Symbol | Min | Typ | Max | Units | Notes/Conditions |
|------------------------------|--------|-------|------|------|----------|---|
| Zero offset ¹ | | -15 | | 15 | mV/V | mV Output only |
| | | 300 | 500 | 700 | mV | 0.5-4.5V Output only |
| Full scale span ¹ | | 16 | 20 | 24 | mV/V | mV Output only |
| | | 3800 | 4000 | 4200 | mV | 0.5-4.5V Output only |
| Non-linearity | | -1 | | 1 | %Span | BFSL |
| Hysteresis | | -0.8 | | 0.8 | %Span | |
| Zero repeatability | | -0.8 | | 0.8 | %Span | |
| Span repeatability | | -0.8 | | 0.8 | %Span | |
| Thermal shift for zero | | -0.05 | | 0.05 | %Span/°C | Reference to 25°C, over compensated temperature |
| Thermal shift for span | | -0.05 | | 0.05 | %Span/°C | |
| Cycle life | | 1E+6 | | | | 0 to full scale cycles |
| Deflection at rated load | | | | 0.03 | mm | |
| Weight | | | 6.0 | | grams | Without ribbon cable |

⁽¹⁾Span and zero offset are ratiometric to power supply voltage

Environmental Specifications (Analog)

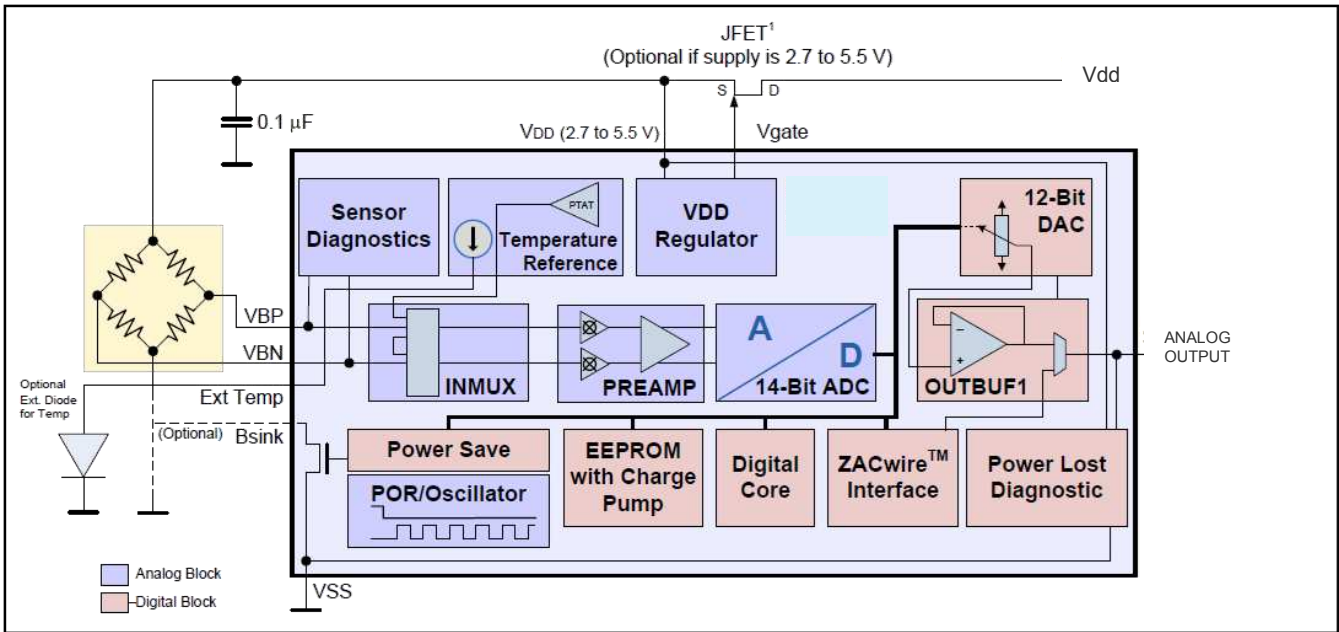
(Unless otherwise specified, all parameters are measured at 25°C @ 5.0V applied)

| Parameter | Symbol | Min | Typ | Max | Units | Notes/Conditions |
|-------------------------------|----------------|---|-----|-----|-------|-----------------------------|
| Compensated temperature range | T _o | 0 | | 50 | °C | 0.5-4.5V Output only |
| Storage temperature | T _s | -40 | | 85 | °C | |
| Ambient humidity | | 0 | | 85 | %RH | Non-condensing |
| EMI/RFI/ESD protection | | IEC61000-4-2 (8kV _{air} /4kV _{contact}) IEC61000-4-3 (3V/m) IEC55032 Class A | | | | mV Output only |
| Ingress protection | IP | | 43 | | | |
| Media compatibility | | External exposed surfaces: 17-4 and 304 stainless steel | | | | Excluding cable & connector |

Schematic Diagram – mV output (Analog)



Block Diagram – 0.5 to 4.5V output (Analog)



Absolute Maximum Ratings (Digital)⁽¹⁾

| Parameter | Symbol | Min | Typ | Max | Units | Notes/Conditions |
|---------------------|------------------|------|-----|------|-------|------------------|
| Supply voltage | | | | 5.50 | V | |
| Storage temperature | T _S | -40 | | +85 | °C | |
| Compressive load | L _{max} | | | 2.5X | Rated | |
| ESD | | -4.0 | | 4.0 | kV | Human Body Model |

⁽¹⁾Maximum limits the device will withstand without damage

Standard Load Ranges

| Pounds-Force (lbf) | Newtons (N) |
|--------------------|-------------|
| 10 | 50 |
| 25 | 125 |
| 50 | 250 |
| 100 | 500 |

Electrical Specifications (Digital)

(Unless otherwise specified, all parameters are measured at 25°C @ 3.0V applied)

| Parameter | Symbol | Min | Typ | Max | Units | Notes/Conditions |
|---------------------------------------|------------------|-----|-----|-----|-------|------------------|
| Supply voltage (V _{supply}) | V _{dd} | 2.7 | | 5.5 | V | |
| Operating current | I _{dd} | | | 3 | mA | |
| Sleep mode current | I _{slp} | | 0.5 | 5 | µA | |
| Insulation resistance | | 50 | | | MΩ | @250VDC |

Force Operating Specifications (Digital)

(Unless otherwise specified, all parameters are measured at 25°C @ 3.0V applied)

| Parameter | Symbol | Min | Typ | Max | Units | Notes/Conditions |
|--------------------------|--------|-------|-------|-------|----------|---|
| Zero offset | | 300 | 1000 | 1700 | Counts | Base ₁₀ |
| Full scale span | | 14300 | 15000 | 15700 | Counts | Base ₁₀ |
| Non-linearity | | -1 | | 1 | %Span | BFSL |
| Hysteresis | | -0.8 | | 0.8 | %Span | |
| Zero repeatability | | -0.8 | | 0.8 | %Span | |
| Span repeatability | | -0.8 | | 0.8 | %Span | |
| Thermal shift for zero | | -0.05 | | 0.05 | %Span/°C | Reference to 25°C, over compensated temperature |
| Thermal shift for span | | -0.05 | | 0.05 | %Span/°C | |
| Cycle life | | 1E+6 | | | | 0 to full scale cycles |
| A/D resolution | | | 14 | | Bits | |
| Response time | | | | 3 | mS | 4MHz, non-sleep mode |
| | | | | 8.4 | mS | 4MHz, sleep mode |
| Deflection at rated load | | | | 0.03 | mm | |
| Weight | | | 6.0 | | grams | Without ribbon cable |

Environmental Specifications (Digital)

(Unless otherwise specified, all parameters are measured at 25°C @ 3.0V applied)

| Parameter | Symbol | Min | Typ | Max | Units | Notes/Conditions |
|-------------------------------|----------------|---|-----|-----|-------|-----------------------------|
| Compensated temperature range | T _o | 0 | | 50 | °C | |
| Storage temperature | T _s | -40 | | 85 | °C | |
| Ambient humidity | | 0 | | 85 | %RH | Non-condensing |
| Ingress protection | IP | 43 | | | | |
| Media compatibility | | External exposed surfaces: 17-4 and 304 stainless steel | | | | Excluding cable & connector |

Block Diagram – I²C Digital Output (Digital)



Force Output Graph (Digital)



$$OUTPUT \text{ (decimal counts)} = \frac{14000}{LOAD \text{ RANGE}} * FORCE + 1000$$

| Force Sensor Output | | |
|---------------------|------------------|--------------|
| %Output | Counts (decimal) | Counts (hex) |
| 0% | 1000 | 0x3E8 |
| 5% | 1700 | 0x6A4 |
| 10% | 2400 | 0x960 |
| 50% | 8000 | 0x1F40 |
| 90% | 13600 | 0x3250 |
| 95% | 14300 | 0x37DC |
| 100% | 15000 | 0x3A98 |

I²C Typical Circuit



Note: only one pair of pull up resistors are needed for multiple sensing devices.

I²C Interface

| Parameter | Symbol | Min | Typ | Max | Units | Notes/Conditions |
|---|--------------------|-----|-----|-----|-------|------------------|
| SCLK clock frequency | F _{SCL} | 100 | | 400 | kHz | |
| Start condition hold time relative to SCL edge | t _{HOSTA} | 0.1 | | | μS | |
| Minimum SCL clock low width ¹ | t _{LOW} | 0.6 | | | μS | |
| Minimum SCL clock high width ¹ | t _{HIGH} | 0.6 | | | μS | |
| Start condition startup time relative to SCL edge | t _{SUSTA} | 0.1 | | | μS | |
| Data hold time on SDA relative to SCL edge | t _{HDDAT} | 0 | | | μS | |
| Data setup time on SDA relative to SCL edge | t _{SUDAT} | 0.1 | | | μS | |
| Stop condition setup time on SCL | t _{SUSTO} | 0.1 | | | μS | |
| Bus free time between stop and start condition | t _{BUS} | 2 | | | μS | |

I²C Interface Timing Diagram



Digital Input and Output Parameters

(Unless otherwise specified, all parameters are measured at 25°C @ 3.0V applied)

| Parameter | Symbol | Min | Typ | Max | Units | Notes/Conditions |
|------------------------------|-----------------|------|-----|-----|-------------------|------------------|
| Input high voltage | V _{IH} | 0.8 | | 1.0 | x V _{DD} | |
| Input low voltage | V _{IL} | 0.0V | | 0.2 | x V _{DD} | |
| Output low level | | | | | x V _{DD} | |
| Load capacitance @ SDA | | | | 200 | pF | @400 kHz |
| Input capacitance (each pin) | | | | 10 | pF | |

I²C Measurement Packet Read Sequence



General Working Mode



Outline Drawing and Connections



CONNECTIONS INFORMATION:

| PIN | WIRE COLOR | OUTPUT SIGNAL | | |
|-----|------------|---------------|----------|------------------|
| | | mV | 0.5~4.5V | I ² C |
| 1 | RED | V+ | V+ | V+ |
| 2 | YELLOW | O+ | O+ | SCL |
| 3 | WHITE | O- | N/A | SDA |
| 4 | BLACK | V- | COMMON | V- |

CONNECTOR INFORMATION:

| BRAND | PART | DESCRIPTION | MATING RECOMMENDATION |
|-------|----------|---|---|
| TE | HOUSING | TE: # 440146-4, CONN RCPT 4POS SGL 1.25MM NATRL | TE# 1734598-4, CONN HEADER VERT 4POS 1.25MM |
| | TERMINAL | TE: # 1734193-1, CONN SOCKET 28-32AWG CRIMP TIN | |

mV OUTPUT

WIRING INFORMATION



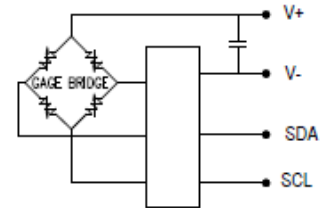
0.5~4.5V OUTPUT

WIRING INFORMATION



I²C OUTPUT

WIRING INFORMATION



Ordering Information

FX29 **x** **x** - **xxx** **x** - **xxxx** - **x**

| Output Signal | | |
|---------------|-----------------------------------|-------------|
| Code | Output | Output Type |
| 2 | 20 mV/V* | mV |
| 3 | 0.5 – 4.5V* | Amplified |
| J | I²C (No sleep)* | Digital |
| K | I²C (Sleep) | Digital |

| I ² C Address | |
|--------------------------|-----------------------|
| Code | Device Address (hex) |
| X | Analog Output* |
| 0 | 0x28* |
| 1 | 0x36 |
| 2 | 0x46 |
| 3 | 0x48 |
| 4 | 0x51 |

| Cable Length | |
|--------------|----------------|
| Code | Length |
| 040 | 40 mm |
| 100 | 100 mm* |
| XXX | Custom Length |

| Measurement Units | |
|-------------------|----------------------------|
| L | Pounds-force (lbf)* |
| N | Newton |

| Load Range | |
|--------------|--------|
| LBF | Newton |
| 0010* | 0050 |
| 0025* | 0125 |
| 0050* | 0250 |
| 0100* | 0500 |

| Cable & Connector | |
|-------------------|---|
| Code | Cable and Connector |
| A | 4-wire ribbon cable without connector* |
| B | 4-wire ribbon cable with connector |

Note:
For digital output, ensure custom cable length does not exceed 1 meter.

*Sensor features shown in **bold** are typically stocked by our distribution partners, or available with short lead times from the factory depending on availability. Contact customer service for details.

| REVISION HISTORY | | | |
|------------------|---------------------|------------|----------|
| Revision Number | Change Description | Date | Approval |
| A0 | Initial release | 05/13/2019 | PRS |
| A3 | Minor corrections ; | 06/24/2019 | MH |

NORTH AMERICA
Tel +1 800 522 6752
customercare.frm1@te.com

EUROPE
Tel +31 73 624 6999
customercare.lcsb@te.com

ASIA
Tel +86 0400 820 6015
customercare.shzn@te.com

te.com/sensorsolutions

Microfused, TE Connectivity, TE Connectivity (logo) and EVERY CONNECTION COUNTS are trademarks. All other logos, products and/or company names referred to herein might be trademarks of their respective owners.

The information given herein, including drawings, illustrations and schematics which are intended for illustration purposes only, is believed to be reliable. However, TE Connectivity makes no warranties as to its accuracy or completeness and disclaims any liability in connection with its use. TE Connectivity's obligations shall only be as set forth in TE Connectivity's Standard Terms and Conditions of Sale for this product and in no case will TE Connectivity be liable for any incidental, indirect or consequential damages arising out of the sale, resale, use or misuse of the product. Users of TE Connectivity products should make their own evaluation to determine the suitability of each such product for the specific application.

© 2019 TE Connectivity Ltd. family of companies All Rights Reserved.