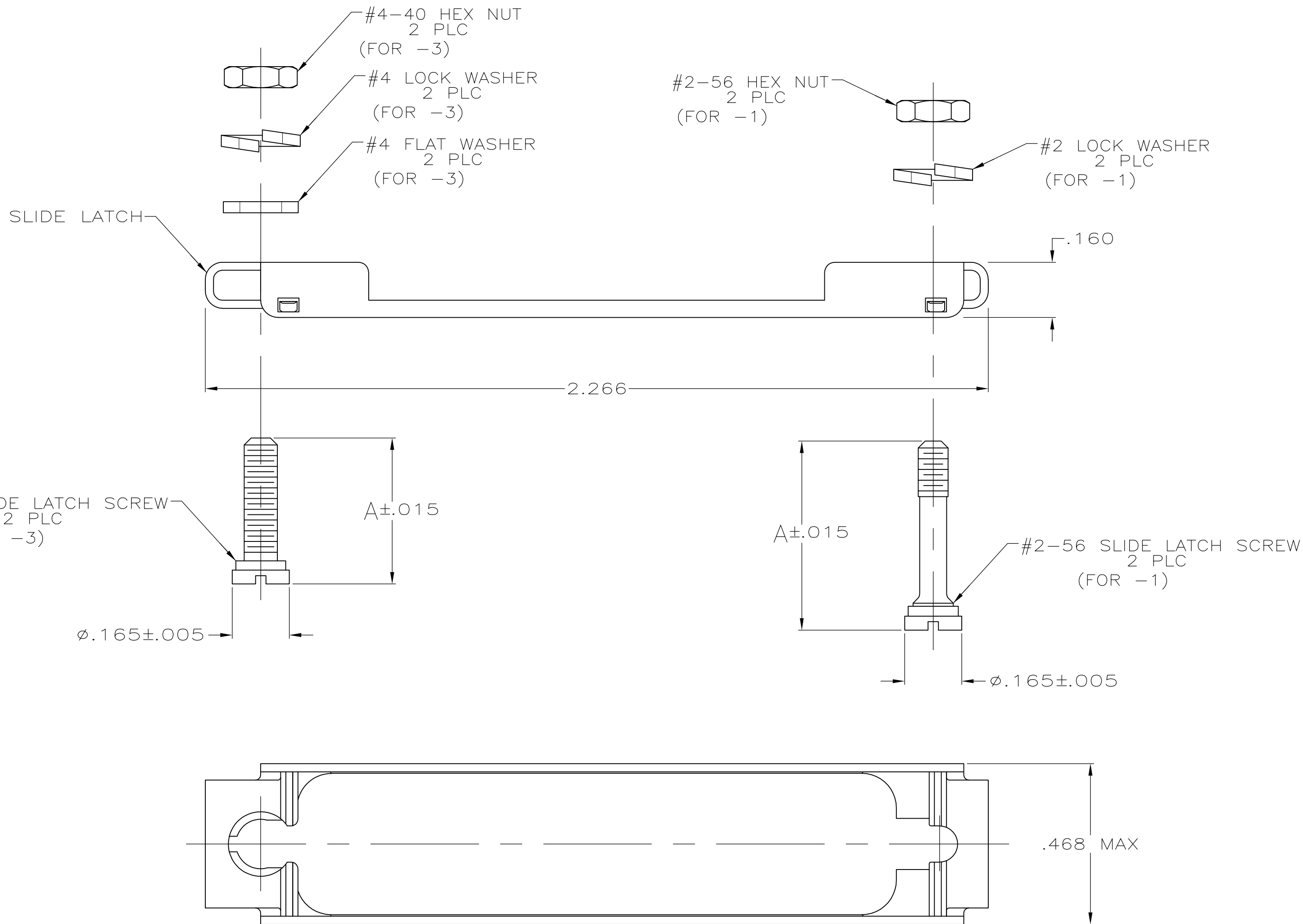


THIS DRAWING IS UNPUBLISHED. RELEASED FOR PUBLICATION
 © COPYRIGHT - By - ALL RIGHTS RESERVED.

LOC	DIST	REVISIONS			
P	LTR	DESCRIPTION	DATE	DWN	APVD
BD	0				
P		REVISED PER ECO-11-004835	11MAR11	RK	HMR



1. PARTS PACKAGED UNASSEMBLED.
2. PARTS PACKAGED AS A UNIT KIT.
- ③ ZINC PLATED .000200-.000400 THICK, CLEAR CHROMATE COATING.
- ④ ZINC PLATED .000200-.000400 THICK, YELLOW CHROMATE COATING.
- ⑤ THIS KIT CAN BE USED WITH TWO-PIECE STRAIGHT/90° EXIT CABLE CLAMPS, RFI/EMI CABLE CLAMPS OR UNIVERSAL CABLE CLAMPS.
- ⑥ THIS KIT CAN BE USED WITH STRAIGHT/45° EXIT ONE-PIECE CABLE CLAMPS, STRAIGHT/90° EXIT ONE-PIECE CABLE CLAMPS, OR ON CONNECTORS WITHOUT CABLE CLAMPS.

.415	④	#4-40	⑥	5745584-3
.547	③	#2-56	⑤	5745584-1
A	HARDWARE FINISH	THREAD TYPE	PART NO	

DIMENSIONS:		TOLERANCES UNLESS OTHERWISE SPECIFIED:		DWN		30JUN05	
INCHES		0 PLC	± -	S.WAITMAN		30JUN05	
		1 PLC	± -	CHK		30JUN05	
		2 PLC	± -	J.GERACE			
		3 PLC	± .010	APVD		30JUN05	
		4 PLC	± -	M.WALMSLEY			
		ANGLES	± -	PRODUCT SPEC			
MATERIAL		FINISH		WEIGHT		SIZE	
SLIDE LATCH: STAINLESS STEEL		HARDWARE: SEE TABLE		-		A2	
HARDWARE: STEEL				CUSTOMER DRAWING		SCALE 4:1	
				SHEET 1 of 1		REV P	

TE TE Connectivity

NAME: KIT, SLIDE LATCH, SIZE 3, 25 POSITION, AMPLIMITE

SIZE: A2 CAGE CODE: 00779 C=5745584

DRAWING NO: 5745584-3

RESTRICTED TO: -

5745584